

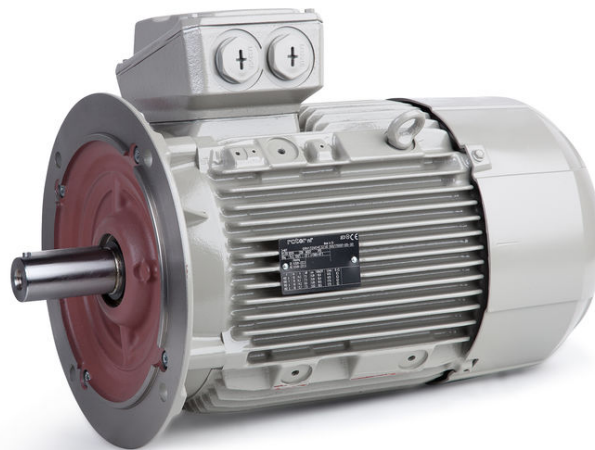
# PRODUCT INFORMATION PACKET

rotor nl<sup>®</sup>

Model No: 6RN132M04E32U463041

Catalog No: 6RN132M04E32U46@3041

7.50 kW General Purpose Low Voltage IEC Motor IE3, 3 phase, 1500 rpm, D400/Y690V 50Hz,  
132M Frame B5, IC411



Regal and Rotor nl are trademarks of Regal Rexnord Corporation or one of its affiliated companies.  
©2023 Regal Rexnord Corporation, All Rights Reserved. MC017097E

RegalRexnord



### Nameplate Specifications

|                        |                             |                            |                             |
|------------------------|-----------------------------|----------------------------|-----------------------------|
| Output HP              | 10 Hp                       | Output KW                  | 7.5 kW                      |
| Frequency              | 50 Hz                       | Voltage                    | D400/Y690 V                 |
| Current                | 14.21 A                     | Speed                      | 1465 rpm                    |
| Service Factor         | 1                           | Phase                      | 3                           |
| Efficiency             | 90.4 %                      | Power Factor               | 0.84                        |
| Duty                   | S1                          | Insulation Class           | F                           |
| Frame                  | 132M                        | Enclosure                  | Totally Enclosed Fan Cooled |
| Thermal Protection     | No Protection               | Ambient Temperature        | 40 °C                       |
| Drive End Bearing Size | 6308-2Z/C3WT (-40°C/+160°C) | Opp Drive End Bearing Size | 6308-2Z/C3WT (-40°C/+160°C) |
| UL                     | No                          | CSA                        | Optional                    |
| CE                     | Yes                         | IP Code                    | IP55                        |
| Number of Speeds       | 1                           | Efficiency Class           | IE3                         |

### Technical Specifications

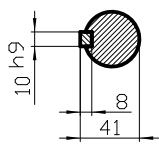
|                 |                     |                   |                     |
|-----------------|---------------------|-------------------|---------------------|
| Electrical Type | Squirrel Cage       | Starting Method   | Direct On Line      |
| Poles           | 4                   | Rotation          | Clockwise Shaft End |
| Mounting        | B5                  | Motor Orientation | Any                 |
| Frame Material  | Cast iron           | Shaft Type        | Keyed               |
| Shaft Diameter  | 38 mm               | Shaft Extension   | 80 mm               |
| Outline Drawing | 6RN132M04E32U463041 |                   |                     |

This is an uncontrolled document once printed or downloaded and is subject to change without notice. Date Created:01/19/2023

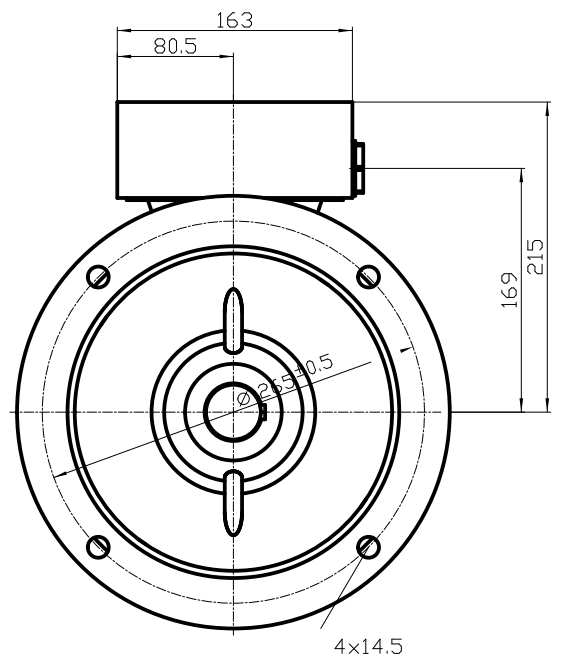
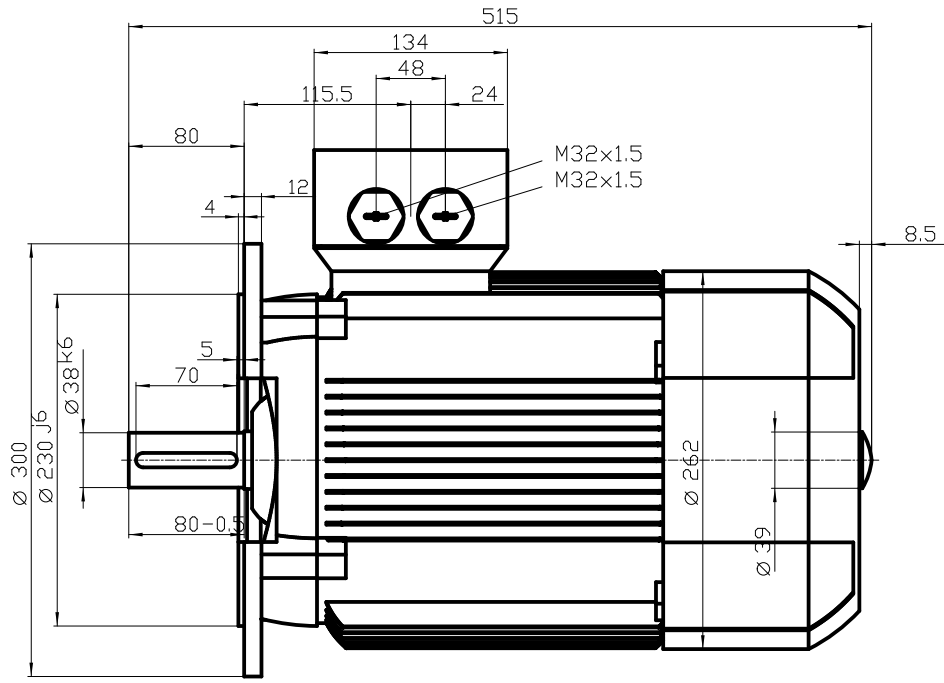
1 2 3 4 5 6 7 8

A  
B  
C  
D  
E  
F

A  
B  
C  
D  
E  
F



DIN 332-DR M12  
DIN 6885 Teil1



|      |          |                 |  |
|------|----------|-----------------|--|
|      |          |                 |  |
| Unit | mm       | 6RN132M04E32 V1 |  |
| Date | 30.04.13 |                 |  |
|      |          |                 |  |

1 2 3 4 5

Datasheet



Mors 1-5, 7151 MX Eibergen NL  
 www.rotor.nl tel.: +31 545 464640  
 sales@rotor.nl tel.: +31 545 464646

**Model No.** 4-Pole cage motor 6RN 132M 7,5kW D400V 50Hz IM3041-FF265

| U<br>(V) | Δ / Y<br>Conn | f<br>[Hz] | P    |       | I<br>[A] | n<br>[RPM] | T<br>[Nm] | IE<br>Class | % EFF at __ load |       |       | PF at __load |       |       | I <sub>A</sub> /I <sub>N</sub><br>[pu] | T <sub>A</sub> /T <sub>N</sub><br>[pu] | T <sub>R</sub> /T <sub>N</sub><br>[pu] |
|----------|---------------|-----------|------|-------|----------|------------|-----------|-------------|------------------|-------|-------|--------------|-------|-------|--|--|--|
|          |               |           | [kW] | [hp]  |          |            |           |             | FL               | 3/4FL | 1/2FL | FL           | 3/4FL | 1/2FL |  |  |  |
| 400      | D             | 50        | 7,5  | 10    | 14,2     | 1465       | 48,6      | IE3         | 90,9             | 91,3  | 90,6  | 0,84         | 0,80  | 0,71  | 8,20                                   | 2,44                                   | 3,46                                   |
| 690      | Y             |           | 8,3  |       |          |            |           |             |                  |       |       |              |       |       |  |  |  |
| 460      | D             | 60        | 8,6  | 11,53 | 14       | 1765       | 46,4      | IE2         | 90,7             | 91,2  | 90,7  | 0,85         | 0,81  | 0,73  | 8,05                                   | 2,09                                   | 3,46                                   |

|                               |                                     |
|-------------------------------|-------------------------------------|
| Motor type                    | <b>6RN132M04E32</b>                 |
| Enclosure                     | <b>Totally Enclosed Fan Cooling</b> |
| Frame Material                | <b>Cast iron</b>                    |
| Frame size                    | <b>132M</b>                         |
| Duty                          | <b>S1</b>                           |
| Voltage                       | <b>400 V</b>                        |
| Frequency                     | <b>50 Hz</b>                        |
| Power output                  | <b>7,5 kW</b>                       |
| Insulation class              | <b>F</b>                            |
| Ambient temperature           | <b>-20 till 40 °C</b>               |
| Temperature rise              | <b>temp.rise acc. B (80K)</b>       |
| Temperature rise winding      | <b>46 K</b>                         |
| Temperature rise surface      | <b>21 K</b>                         |
| Altitude above sea level      | <b>1000 mtr</b>                     |
| Hazardous area classification | <b>Safe area</b>                    |

|              |                     |
|--------------|---------------------|
| Rotor type   | <b>Cage motor</b>   |
| Bearing type | <b>6308-2Z/C3WT</b> |

|                |                  |
|----------------|------------------|
| Type of grease | <b>Unirex N3</b> |
|----------------|------------------|

|                          |                   |
|--------------------------|-------------------|
| Phase resistance at 20°C | <b>1,2000 Ohm</b> |
| Country of origin        | <b>CZ</b>         |

| Voltage/Freq  | Locked rotor Torque [nom] [%] | Starting current [% nom] | Pull-up Torque [% nom] | Breakdown Torque [% nom] | No-load Current [A] |
|---------------|-------------------------------|--------------------------|------------------------|--------------------------|---------------------|
| @ D 400V 50Hz | 244%                          | 816%                     | 210%                   | 346%                     | 5,36 A              |
| @ D 460V 60Hz | 209%                          | 807%                     | 176%                   | 346%                     | 5,15 A              |

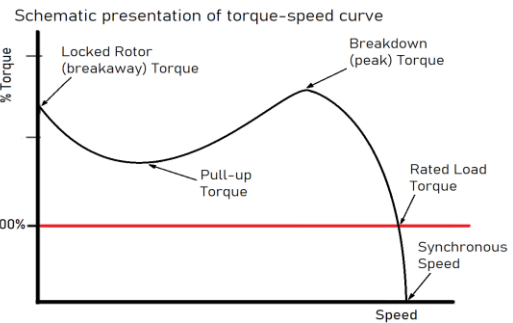
**NOTE**

All performance values at rated voltage and frequency.  
 All performance parameters are subjected to standard tolerance as per IEC 60034-1  
 Voltage, Frequency are as per IEC60034-1  
 Technical data are subject to change. There may be discrepancies between calculated and name plate values.

|            |                  |               |
|------------|------------------|---------------|
| Efficiency | Europe           | Global IEC    |
| Standards  | EN-IEC: 60034-30 | IEC: 60034-30 |

This is an uncontrolled copy, data can be changed anytime.

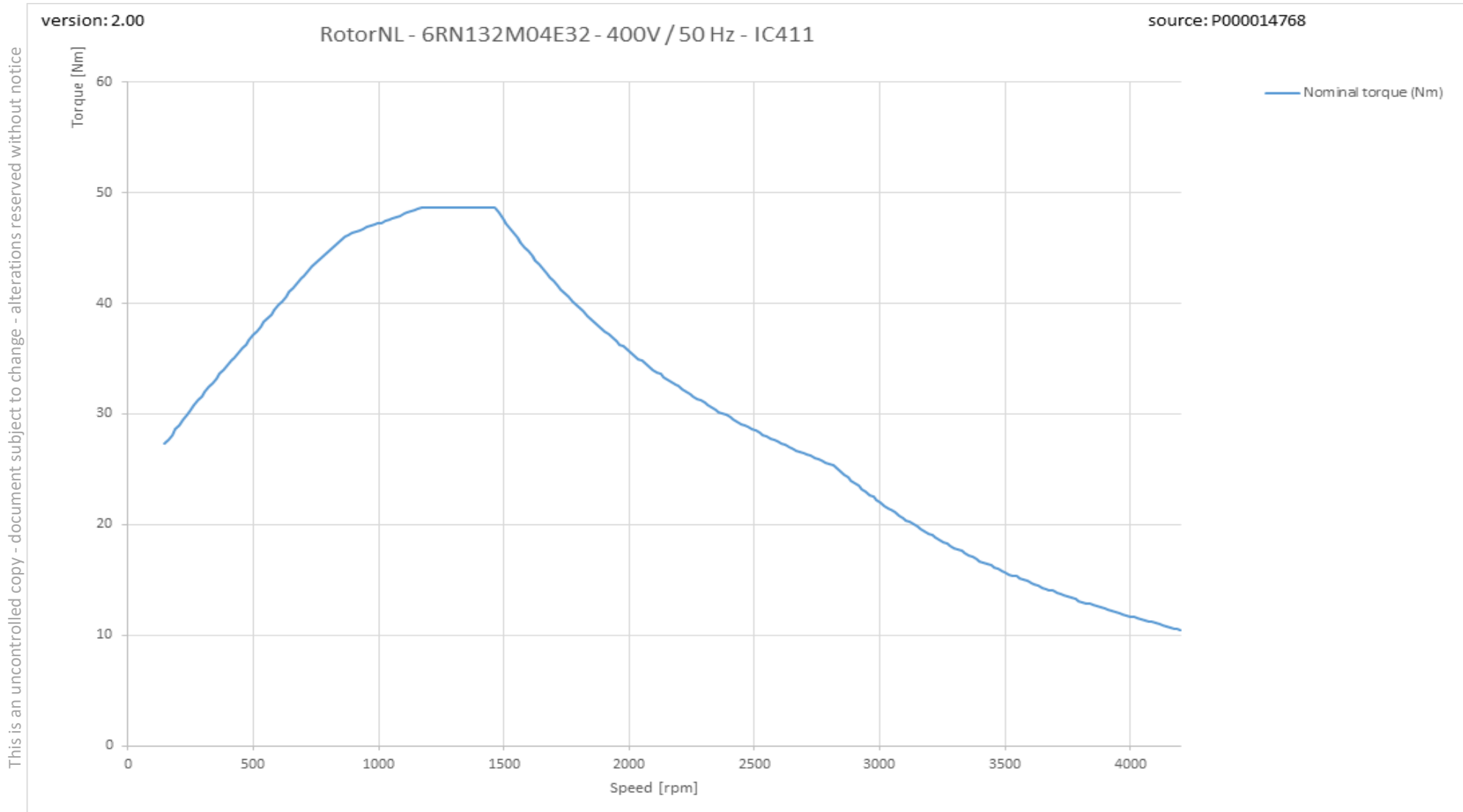
|                        |                               |
|------------------------|-------------------------------|
| Degree of protection   | <b>IP55</b>                   |
| Mounting type          | <b>IM3041-FF265</b>           |
| Cooling method         | <b>IC411</b>                  |
| Motor weight - approx. | <b>82 kg</b>                  |
| Gross weight - approx. | <b>84 kg</b>                  |
| Motor inertia          | <b>0,0460 kgm<sup>2</sup></b> |
| Vibration level        | <b>according IEC60034-14</b>  |
| Direction of rotation  | <b>cw / ccw</b>               |



6RN132M04E32 4-pole 7,5kW D/Y 400/690V 50Hz S1 IC411 IE3

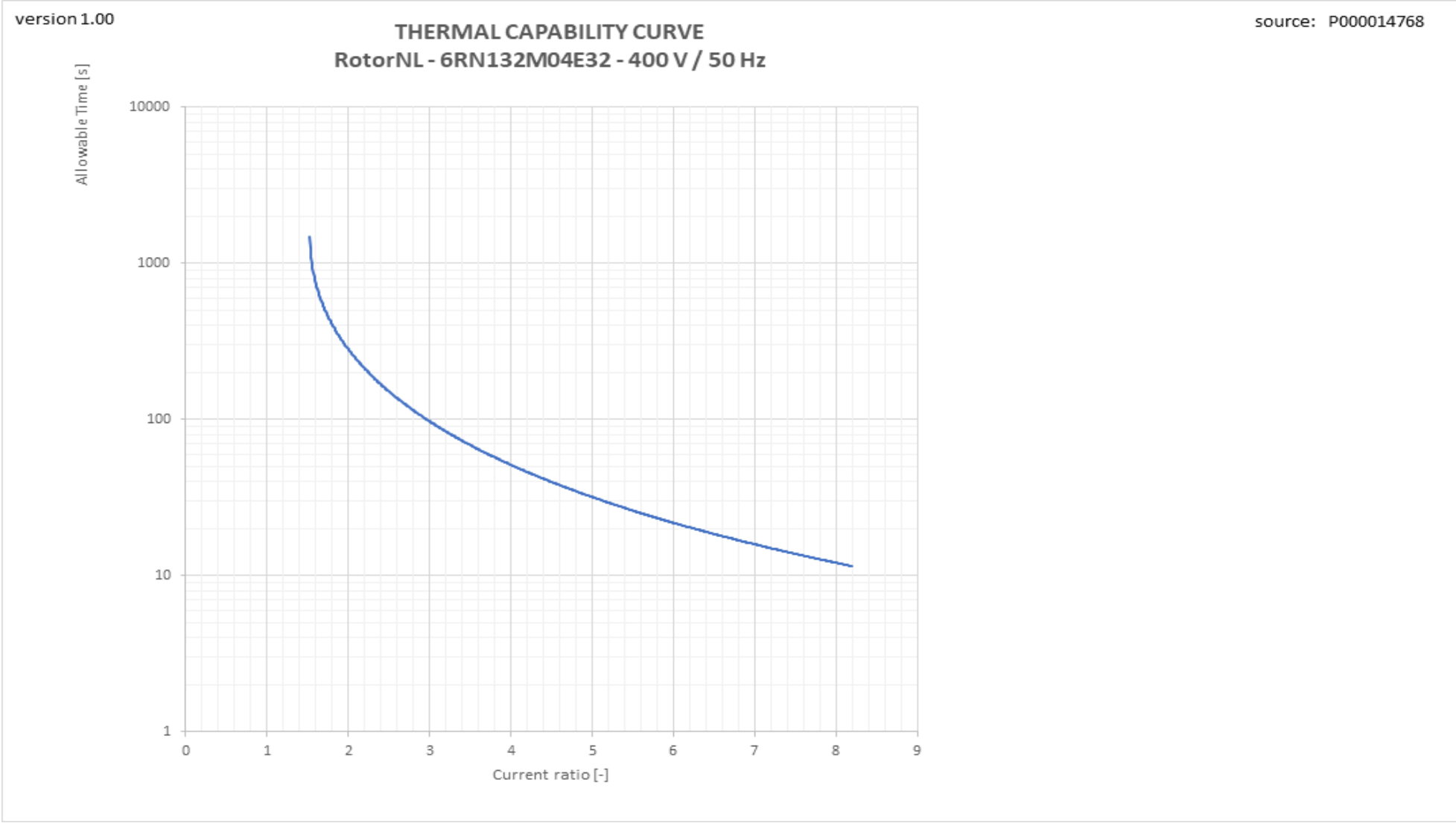


Torque versus Speed curve with variable frequency drive



This is an uncontrolled copy - document subject to change - alterations reserved without notice

Therm\_VSD graph



This is an uncontrolled copy - document subject to change - alterations reserved without notice

Tn graph

