

PRODUCT INFORMATION PACKET

marathon®
Motors

Model No: 5808STDSDL16004

Catalog No: Y9024

Endurance Series® MODEL-IHP, 1000HP,2P,ODP,5808S,3/60/460,CW/DE,120VSH,WRTD-SH,BRTD PROV



Regal and Marathon are trademarks of Regal Rexnord Corporation or one of its affiliated companies.

©2023 Regal Rexnord Corporation, All Rights Reserved. MC017097E

RegalRexnord

Nameplate Specifications

Phase	3	Output HP	1000 & 800 Hp
Output KW	750.0 & 600.0 kW	Voltage	460 & 380 V
Speed	3580 & 2980 rpm	Service Factor	1.15 & 1.15
Frame	5808S	Enclosure	Drip Proof
Thermal Protection	No Protection	Efficiency	96.2 & 95.5 %
Ambient Temperature	40 °C	Frequency	60 & 50 Hz
Current	1075 & 1050 A	Power Factor	90.5
Duty	Continuous	Insulation Class	H
Design Code	B	KVA Code	G
Drive End Bearing Size	6316	Opp Drive End Bearing Size	6316
UL	Recognized	CSA	Y
CE	N	IP Code	23
Number of Speeds	1		

Technical Specifications

Electrical Type	Bar Rotator Induction Run	Starting Method	Wye Start Delta Run
Poles	2	Rotation	Fixed Counterclockwise
Mounting	Rigid Base	Motor Orientation	Horizontal
Drive End Bearing	Ball	Opp Drive End Bearing	Ball
Frame Material	Cast Iron	Shaft Type	S
Shaft Diameter	2.875 in	Assembly/Box Mounting	F1/F2 CAPABLE
Outline Drawing	MCA8322	Connection Drawing	EE7340N

This is an uncontrolled document once printed or downloaded and is subject to change without notice. Date Created:06/23/2023

4

3

2

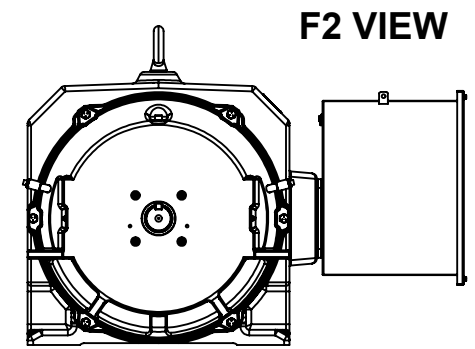
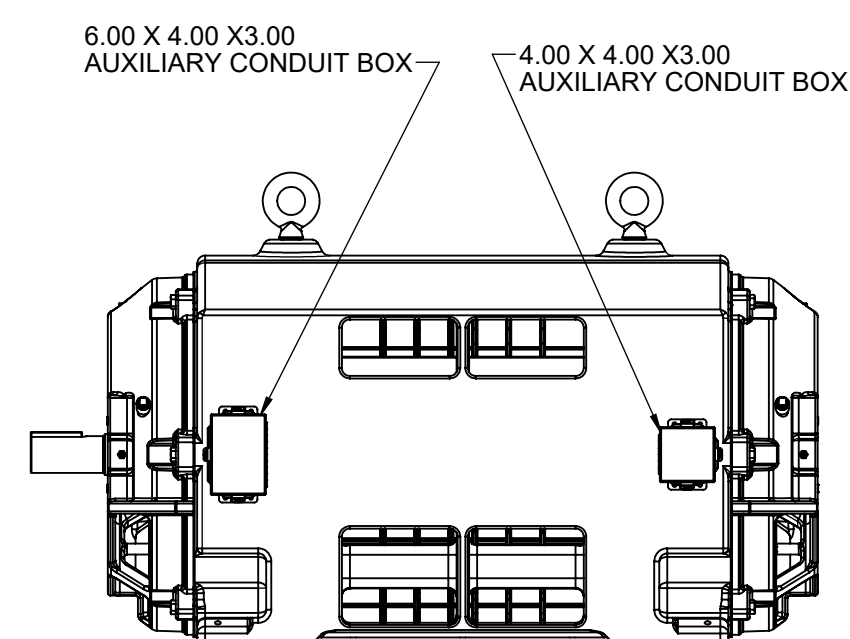
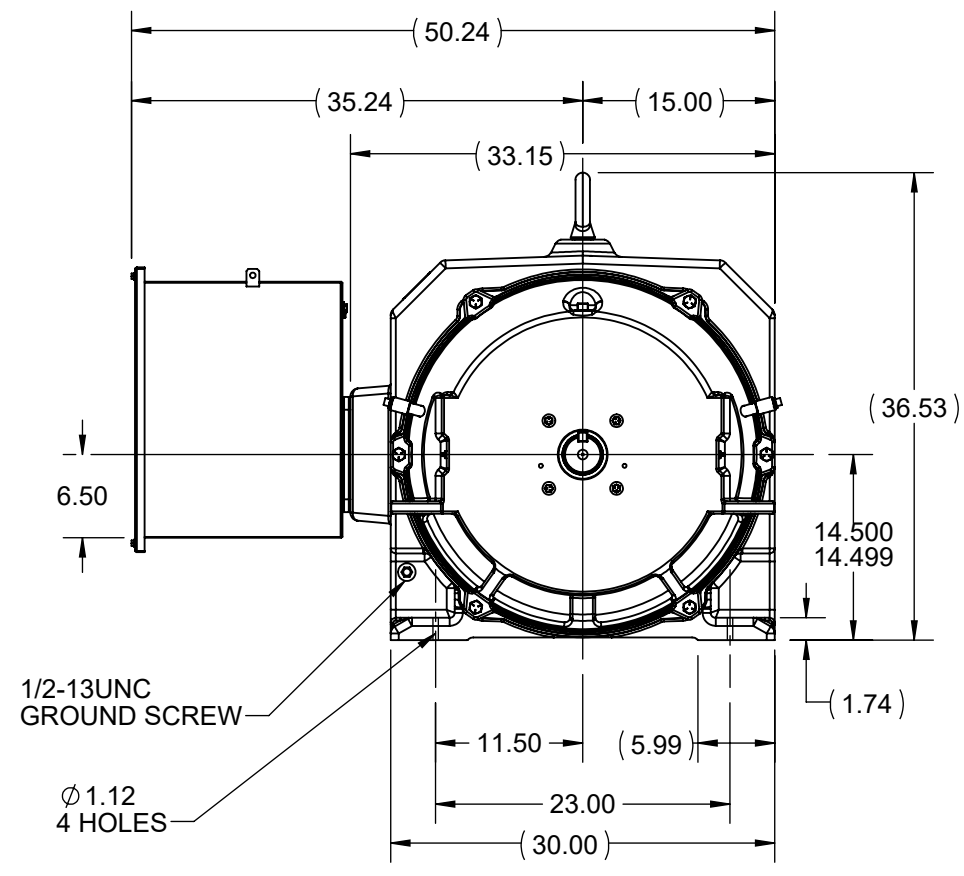
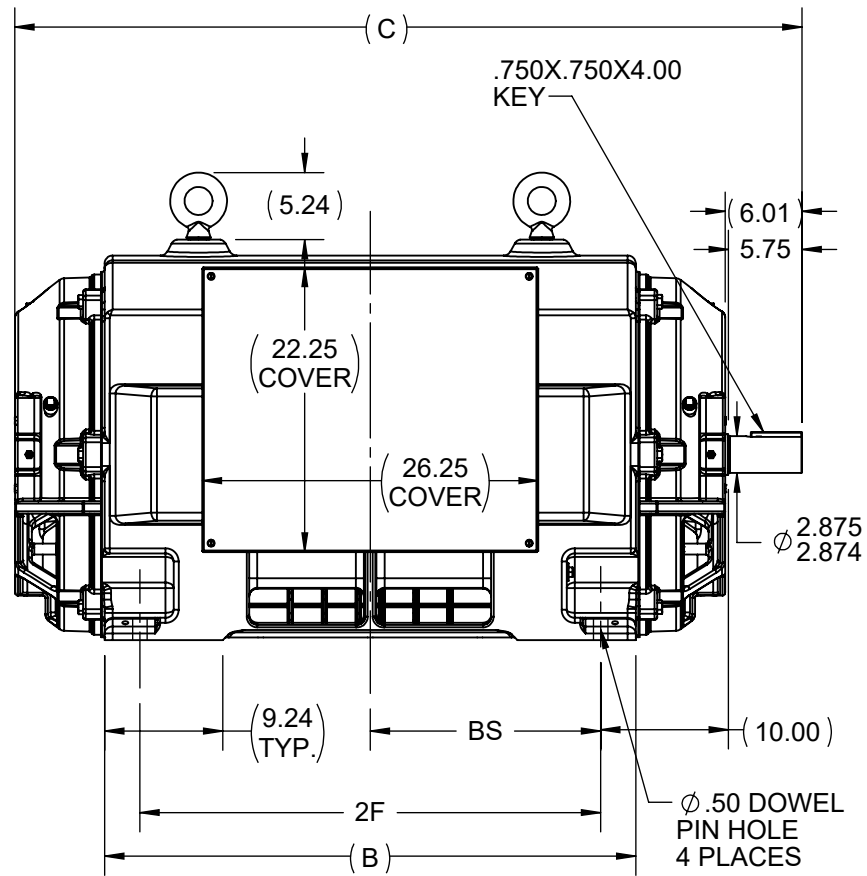
1

B

B

A

A



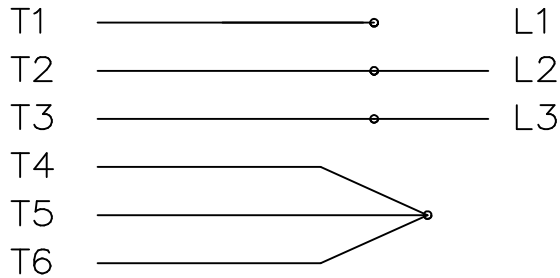
- NOTES:
1. CONDUIT BOX CAN BE ROTATED IN 90° STEPS.
 2. CONDUIT BOX CAN BE MOUNTED ON OPPOSITE SIDE BY REMOVING BRACKETS AND TURNING FRAME 180°.
 3. NAMEPLATES TO BE READ FROM CONDUIT BOX SIDE OF MOTOR

FRAME	B	C	2F	BS
5808S	33.50	53.53	28.00	14.00
5810S	41.50	61.52	36.00	18.00

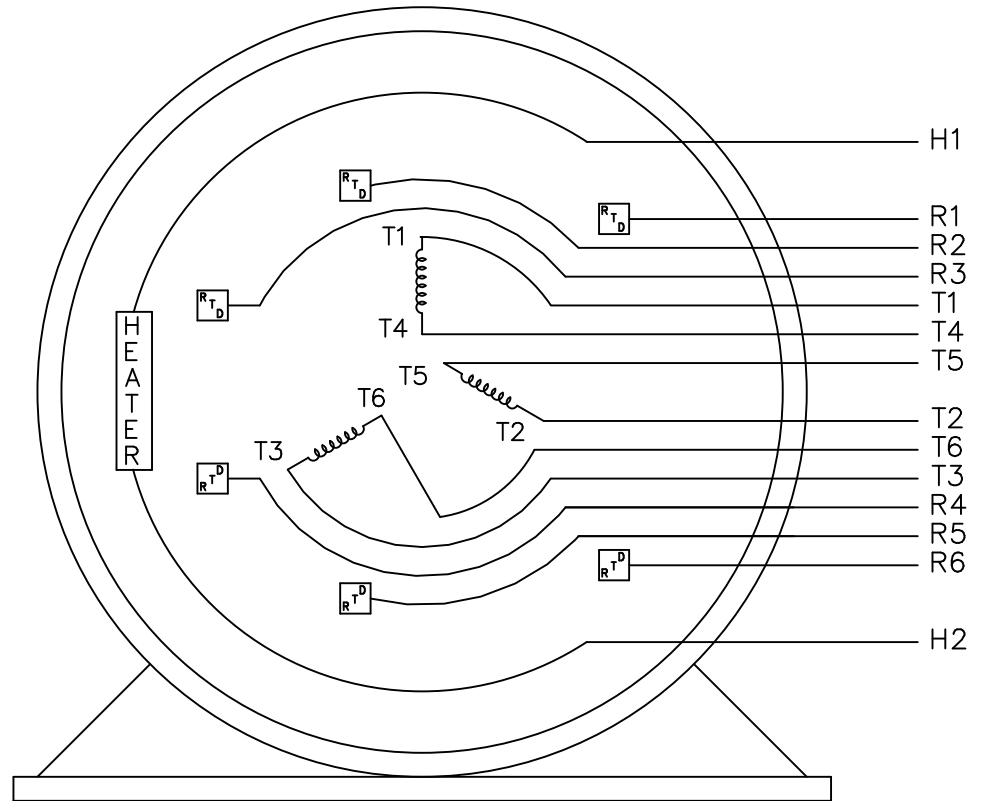
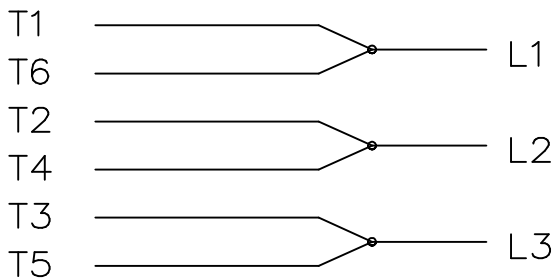
DRAWING REVISION A	REVISION BY	REV DATE/© DATE	TOLERANCES (EXCEPT AS NOTED): DEC. INCH mm ANGLE		DRAWN BY AKSHAY	REGAL ® Regal Beloit America, Inc.
ECO NMR-0210422	APPROVED BY	DATE	.X ±0.1 [±3] ±0.5°	.XX ±0.01 [±0.3]	DATE 16/09/2021	
ECO DESCRIPTION NEW DRAWING			REMOVE BURRS & BREAK SHARP EDGES: .003/.015 [.08/.38] X 45° CORNER FILLETS: R.02 [.5]		APPROVED BY MILES	DESCRIPTION OUTLINE 5800S FR- ODP
COPYRIGHT (PER REVISION DATE) REGAL BELOIT AMERICA, INC. ALL RIGHTS RESERVED. PROPRIETARY AND CONFIDENTIAL INFORMATION - THIS DOCUMENT IS THE PROPERTY OF REGAL BELOIT AMERICA, INC. ("OWNER") AND CONTAINS OWNER'S PROPRIETARY INFORMATION. ANY PERSON, CORPORATION OR OTHER FIRM RECEIVING IT IS DEEMED, BY RECEIVING IT, TO AGREE THAT IT, AND/OR ANY PART OF IT, SHALL NOT BE DISCLOSED TO ANY PERSON, CORPORATION OR OTHER ENTITY, DUPLICATED, AND/OR USED, EXCEPT AS EXPRESSLY APPROVED IN WRITING IN ADVANCE BY OWNER. THIS DOCUMENT SHALL BE RETURNED TO OWNER UPON REQUEST. IT MAY BE SUBJECT TO CERTAIN RESTRICTIONS UNDER APPLICABLE EXPORT CONTROL LAWS AND REGULATIONS.			MACHINED SURFACES: 125/3.2 INCH/mm		DATE 06/11/2019	MATERIAL
			mm DIMENSIONS IN [BRACKETS] ARE FOR REFERENCE ONLY		REFERENCE MCA8255	PROCESS/FINISH
					THIRD ANGLE PROJECTION	SIZE B
						DRAWING NUMBER MCA8322
						SHEET 1 OF 1

THREE PHASE – Y START
Δ RUN MOTOR

START



RUN



VIEW OF TERMINAL END

				TOLERANCES UNLESS SPECIFIED			DRAWN KL 05-13-2002		
				DEC.	INCHES		CHK DJK 05-13-2002		
				.X	±.1		APPD EAB 05-13-2002		
				.XX	±.02		SCALE 1=1		
				.XXX	±.005		REF		
1	NEW DRAWING	MU40890	KL 05-13-2002	.XXXX	±.0005	MAT'L.	FMF		
NO.	REVISION		BY & DATE	CHK	ANG	FINISH	PREV		
THIS DRAWING IN DESIGN AND DETAIL IS OUR PROPERTY AND MUST NOT BE USED EXCEPT IN CONNECTION WITH OUR WORK ALL RIGHTS OF DESIGN AND INVENTION ARE RESERVED THIS IS AN ELECTRONICALLY GENERATED DOCUMENT - DO NOT SCALE THIS PRINT				RFP	CAD FILE EE7340N		SIZE	DRAWING NO. PAGE OF	REV.
				DIST	WA-LB-WP-SB		A	EE7340N 1	1