

PRODUCT INFORMATION PACKET

Model No: 5013LSTFS6595

Catalog No: E363

Severe Duty Motors, TEFC, 450 HP, 3 Ph, 60 Hz, 460 V, 1190 RPM, 5013LS Frame



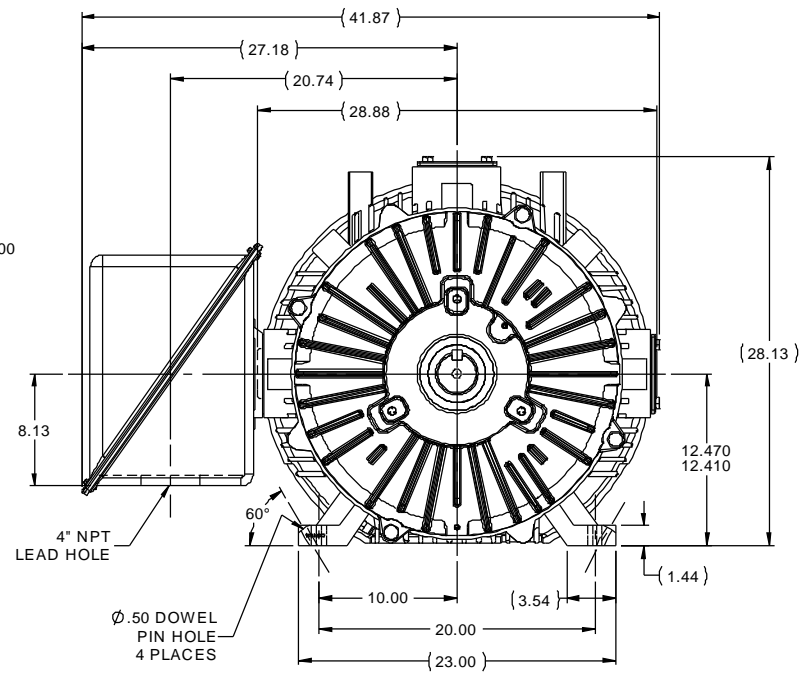
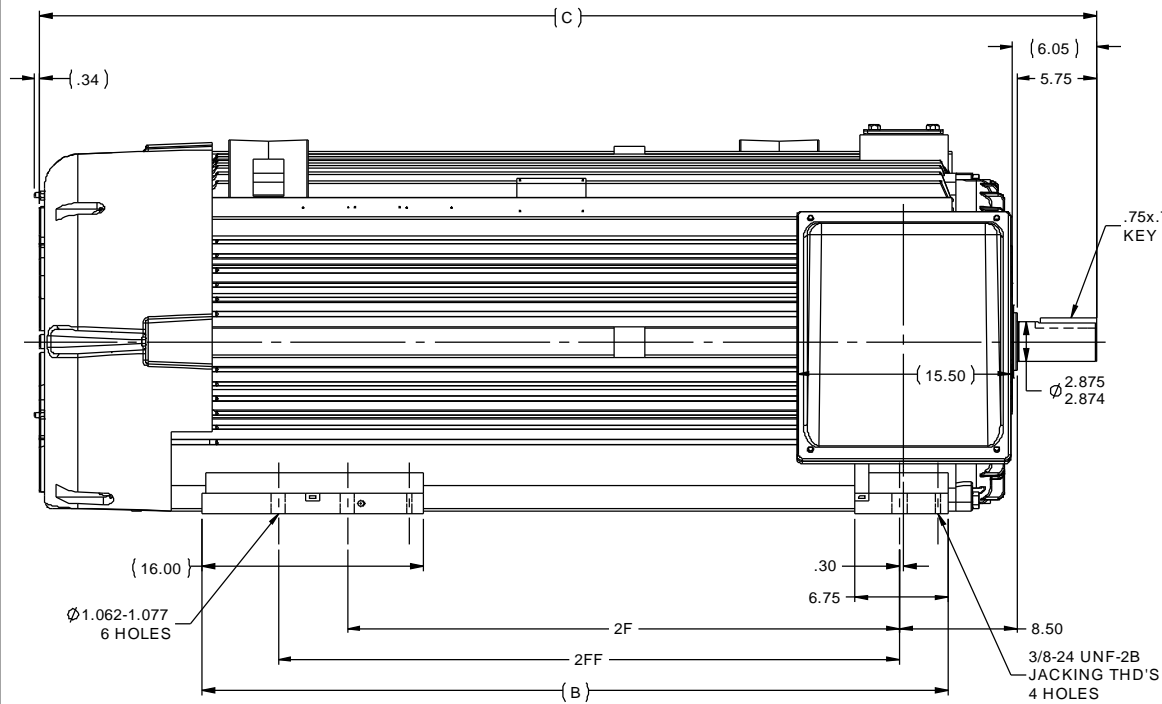
Regal and are trademarks of Regal Rexnord Corporation or one of its affiliated companies.
©2022 Regal Rexnord Corporation, All Rights Reserved. MC017097E

Nameplate Specifications

Output HP	450 Hp	Output KW	340.0 kW
Frequency	60 Hz	Voltage	460 V
Current	525.0 A	Speed	1190 rpm
Service Factor	1.15	Phase	3
Efficiency	96.2 %	Power Factor	83.5
Duty	Continuous	Insulation Class	H
Design Code	B	KVA Code	F
Frame	5013LS	Enclosure	Totally Enclosed Fan Cooled
Thermal Protection	No Protection	Ambient Temperature	40 °C
Drive End Bearing Size	6322	Opp Drive End Bearing Size	6318
UL	No	CSA	Y
CE	Y	IP Code	54
Number of Speeds	1		

Technical Specifications

Electrical Type	Squirrel Cage Inverter Rated	Starting Method	Line Or Inverter
Poles	6	Rotation	Reversible
Resistance Main	.008 Ohms	Mounting	Rigid Base
Motor Orientation	Horizontal	Drive End Bearing	Ball
Opp Drive End Bearing	Ball	Frame Material	Cast Iron
Shaft Type	LS	Overall Length	76.56 in
Frame Length	58.52 in	Shaft Diameter	2.875 in
Shaft Extension	6.05 in	Assembly/Box Mounting	F1/F2 CAPABLE
Inverter Load	CONSTANT 2:1		
Connection Drawing	A-EE7300T	Outline Drawing	B-SS550575-5850



- NOTES:
 1. CONDUIT BOX CAN BE ROTATED IN 90° STEPS.
 2. NAMEPLATES TO BE READ FROM CONDUIT SIDE OF MOTOR.

(B-SS518770)

DASH	FRAME	B	C	2F	2FF
5850	5012LS	54.05	76.56	40.00	
5850	5013LS	54.05	76.56		45.00

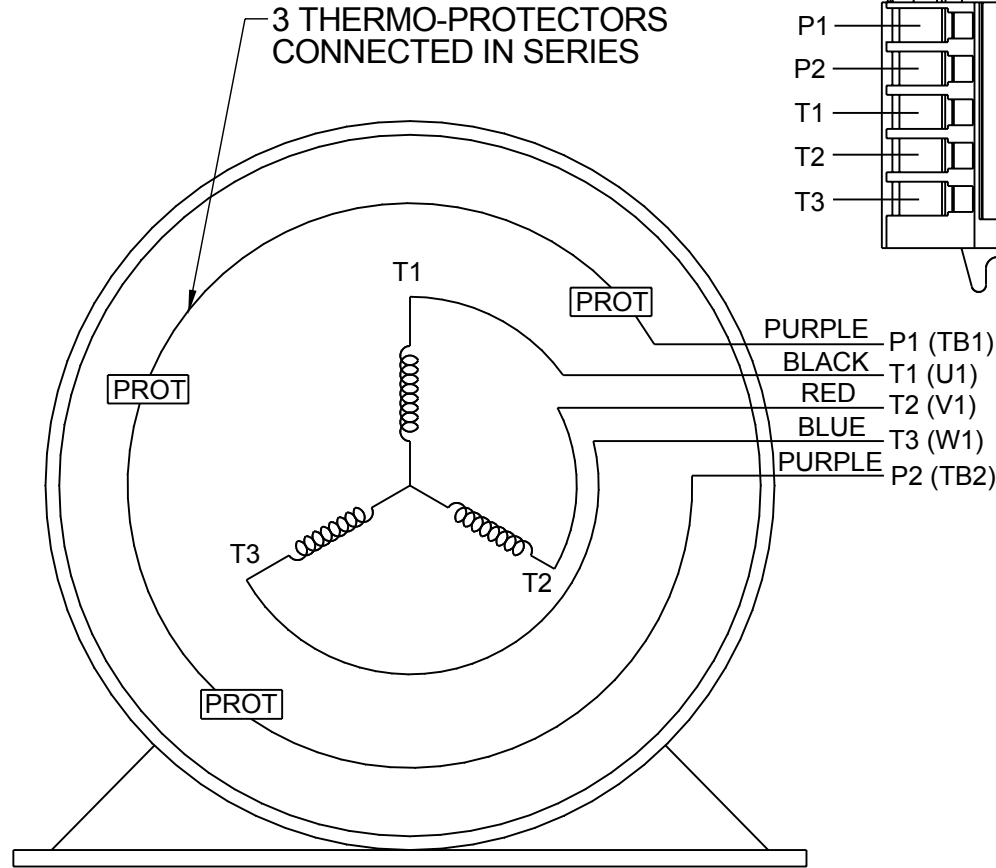
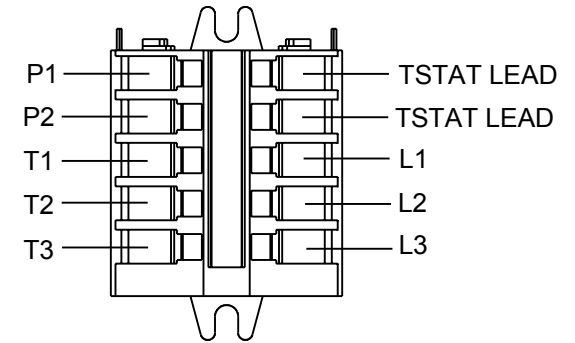
		TOLERANCES UNLESS SPECIFIED				DRAWN KL 11-01-2004	
		DEC	INCHES			CHK ML 11-01-2004	
		X	±.1	TITLE OUTLINE - F1/F2/F3 MT.		APPR MAL 11-01-2004	
		XX	±.03	5012-13LS FR. - TEFC		SCALE 1:9	
		XXX	±.005			REF	
1	REDRAWN I NSOLIDWORKS - FIXED BS DIM PER ECO-0036077	JHA	09-05-2013	DJK	XXXX ±.0005	FMF MU62915	
NO	REVISION	BY & DATE	CHK	ANG	±7'30"	PAGE OF	
		THIRD ANGLE PROJECTION		RFP 11-01-2004		SIZE	DRAWING NO
				PREV		B	SS550575
				NETWORK FILE NAME SS550575			REV
							1

**THREE PHASE - SINGLE VOLTAGE
MOTOR - CONDUIT BOX @ 'A'**

**TO REVERSE ROTATION:
INTERCHANGE ANY TWO LINE
LEAD CONNECTIONS**

**NOTE FOR FACTORY USE ONLY:
TO SURGE TEST:
FOR 3 LEAD COMMON CONNECT:
CONNECT P1 TO T1 THEN P2 TO L1
FOR 6 LEAD COMMON CONNECT:
CONNECT P1 TO BOTH T1
THEN P2 TO L1**

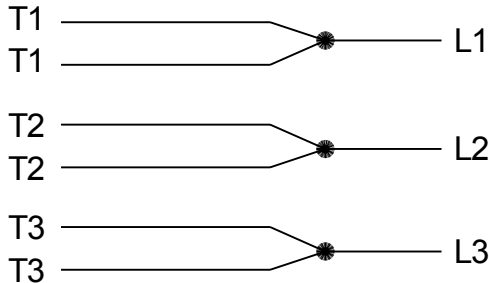
TERMINAL BLOCK WHEN SPECIFIED



PURPLE P1 (TB1)
BLACK T1 (U1)
RED T2 (V1)
BLUE T3 (W1)
PURPLE P2 (TB2)

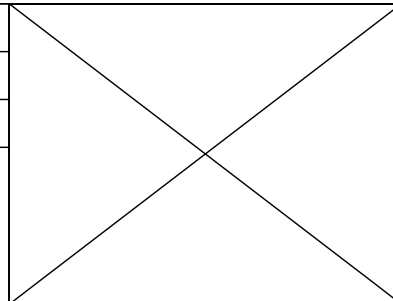
T2BM
T6AW
T6AL
T6Z
T4EG
T4BF
T8A
T6H
T6A
T4AX
T4A
T2A
T2F

**IF MOTOR HAS MULTIPLE
T'S PER LEAD CONNECT
TOGETHER LIKE T'S**



A-9806 DECAL

DRAWING REVISION AB	REVISION BY AJW	DATE 07-17-2015
ECO ECO-0081632	APPROVED BY T.VUE	DATE 07-17-2015
ECO DESCRIPTION REV'D IEC MARKINGS PER IEC-60034-8		
<small>COPYRIGHT REGAL BELOIT AMERICA, INC. ALL RIGHTS RESERVED. PROPRIETARY AND CONFIDENTIAL INFORMATION - THIS DOCUMENT IS THE PROPERTY OF REGAL BELOIT AMERICA, INC. ("OWNER") AND CONTAINS OWNER'S PROPRIETARY INFORMATION. ANY PERSON, CORPORATION OR OTHER FIRM RECEIVING IT IS DEEMED, BY RECEIVING IT, TO AGREE THAT IT, AND/OR ANY PART OF IT, SHALL NOT BE DISCLOSED TO ANY PERSON, CORPORATION OR OTHER ENTITY, DUPLICATED, AND/OR USED, EXCEPT AS EXPRESSLY APPROVED IN WRITING IN ADVANCE BY OWNER. THIS DOCUMENT SHALL BE RETURNED TO OWNER UPON REQUEST. IT MAY BE SUBJECT TO CERTAIN RESTRICTIONS UNDER APPLICABLE EXPORT CONTROL LAWS AND REGULATIONS.</small>		



DRAWN BY LZ
DATE 01-04-1994
APPROVED BY GK
DATE 01-20-1994
REFERENCE
THIRD ANGLE PROJECTION

REGAL ™ Regal Beloit America, Inc.	
DESCRIPTION CONN DIAGRAM-EXTERNAL 3Ø-SINGLE VOLT-MOTOR WITH PROTECTOR	
MATERIAL	PROCESS/FINISH
SIZE A	DRAWING NUMBER EE7300T
SHEET 1 OF 1	

CERTIFICATION DATA SHEET

**P.O. BOX 8003
 WAUSAU, WI 54401-8003
 PH. 715-675-3311**

CONN. DIAGRAM: A-EE7300T

MODEL #: 5013LSTFS6595 AB

OUTLINE: B-SS550575-5850

MOUNTING: F1/F2 CAPABLE

WINDING #: V513604 0

TYPICAL MOTOR PERFORMANCE DATA

HP	KW	SYNC. RPM	F.L. RPM	FRAME	ENCLOSURE	KVA CODE	DESIGN
450	340	1200	1190	5013LS	TEFC	F	B

PH	Hz	VOLTS	AMPS	START TYPE	DUTY	INSL	S.F.	AMB°C
3	60	460	525	LINE OR INVERTER	CONTINUOUS	H1	1.15	40

FULL LOAD EFF:	96.2	3/4 LOAD EFF:	96.2	1/2 LOAD EFF:	95.8	GTD. EFF	ELEC. TYPE
FULL LOAD PF:	83.5	3/4 LOAD PF:	80.5	1/2 LOAD PF:	72.5	95.8	SQ CAGE INV RATED

F.L. TORQUE	LOCKED ROTOR AMPS	L.R. TORQUE	B.D. TORQUE	F.L. RISE°C
1986 LB-FT	3250	2300 LB-FT 116 %	4600 LB-FT 232 %	75

SOUND PRESSURE @ 3 FT.	SOUND POWER	ROTOR WK^2	MAX. WK^2	SAFE STALL TIME	STARTS / HOUR	APPROX. MOTOR WGT
75 dBA	85 dBA	515 LB-FT^2	- LB-FT^2	- SEC.	-	6500 LBS.

***** SUPPLEMENTAL INFORMATION *****

DE BRACKET TYPE	ODE BRACKET TYPE	MOUNT TYPE	ORIENTATION	SEVERE DUTY	HAZARDOUS LOCATION	DRIP COVER	SCREENS	PAINT
STANDARD	STANDARD	RIGID	HORIZONTAL	PREMIUM SEVERE DUTY	DIVISION 2 T2B	FALSE	NONE	BLUE (EPOXY)

BEARINGS		GREASE	SHAFT TYPE	SPECIAL DE	SPECIAL ODE	SHAFT MATERIAL	FRAME MATERIAL
DE	ODE						
BALL	BALL	POLYREX EM	LS	NONE	NONE	4140 STRESSPROOF (C-214)	CAST IRON
6322	6318						

THERMO-PROTECTORS				THERMISTORS	CONTROL	SPACE HEATERS
THERMOSTATS	PROTECTORS	WDG RTDs	BRG RTDs			
TSTATS (N/C)	NOT	NONE	NONE	NONE	FALSE	NONE VOLTS

*
N
O
T
E
S

INVERTER TORQUE: CONSTANT 2:1
INV. HP SPEED RANGE: 1.5 X BASE SPEED
ENCODER: NONE NONE NONE NONE NONE PPR
BRAKE: NONE NONE NONE P/N NONE NONE NONE FT-LB NONE V NONE Hz

Data Sheet

Date: 11/29/2018
 Customer: _____
 Attention: _____
 Submitted by: FAREEDA DUDEKULA



5013LSTFS6595

Submittal

Data @ 460 V

Motor Load Data

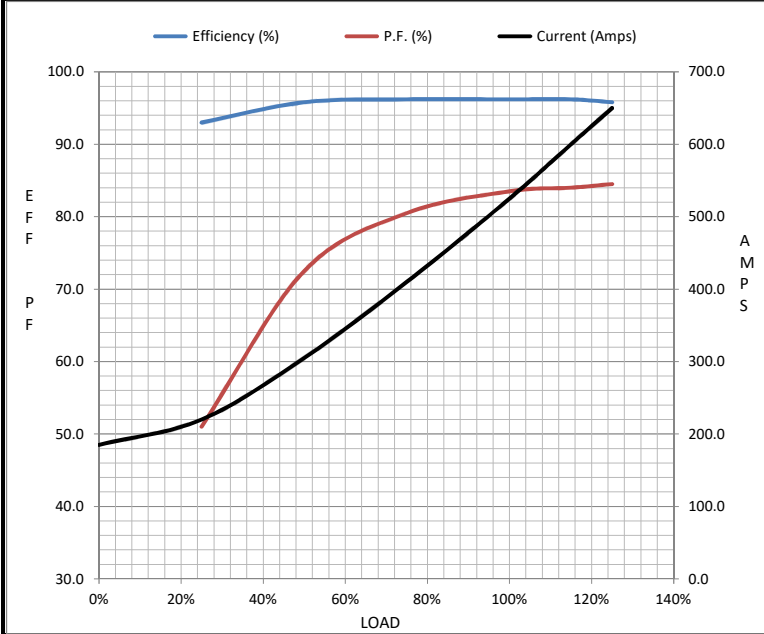
Load	0%	25%	50%	75%	100%	115%	125%	LR
Current (Amps)	185	220	305	410	525	600	650	3,250
Torque (ft-lb)	0.00	493	990	1,485	1,986	2,285	2,485	2,300
RPM	1200	1198	1195	1192	1190	1,189	1188	0
Efficiency (%)		93.0	95.8	96.2	96.2	96.2	95.8	
P.F. (%)	3.0	51.0	72.5	80.5	83.5	84.0	84.5	19.0

Motor Speed Data

	LR	Pull-Up	BD	Rated	Idle
Speed (RPM)	0	600	1150	1190	1200
Current (Amps)	3,250	2,925	2,100	525	185
Torque (ft-lb)	2,300	2,050	4,600	1,986	0.00

Information Block

HP	450.0			
Sync. RPM	1200			
Frame	5013			
Enclosure	TEFC			
Construction	TFS			
Voltage	460 V			
Frequency	60 Hz			
Design	B			
LR Code letter	F			
Service Factor	1.15			
Temp Rise @ FL	70 °C			
Duty	CONT			
Ambient	40 °C			
Elevation	1,000 feet			
Rotor/Shaft wk ²	515 Lb-Ft ²			
Ref Wdg	V513604 NONE			
Sound Pressure @ 1M	75 dBA			
VFD Rating	CONSTANT 2:1			
Outline Dwg	B-SS550575-5850			
Conn. Diag	A-EE7300T			
Additional Specifications:				
0				
0				
EQUIV CKT (OHMS / PHASE)				
R1	R2	X1	X2	Xm
0.0060	0.0040	0.0460	0.0760	1.4300



Speed - Torque Curve

