

PRODUCT INFORMATION PACKET

Model No: 5011LSTHFCD9027

Catalog No: Y9267

XRI®-841 Severe Duty Motor, 450 HP, 3 Ph, 60 Hz, 460 V, 1800 RPM, 5011LS Frame, TEFC



Regal and Marathon are trademarks of Regal Rexnord Corporation or one of its affiliated companies.
©2022 Regal Rexnord Corporation, All Rights Reserved. MC017097E

Nameplate Specifications

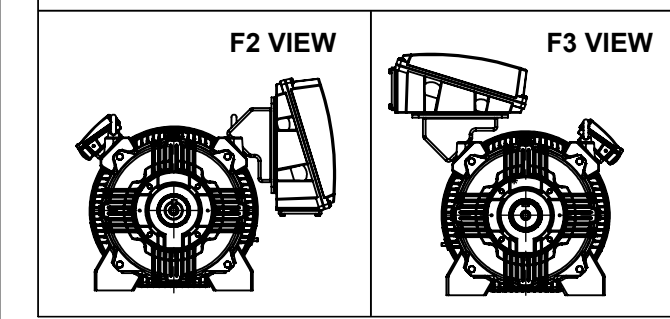
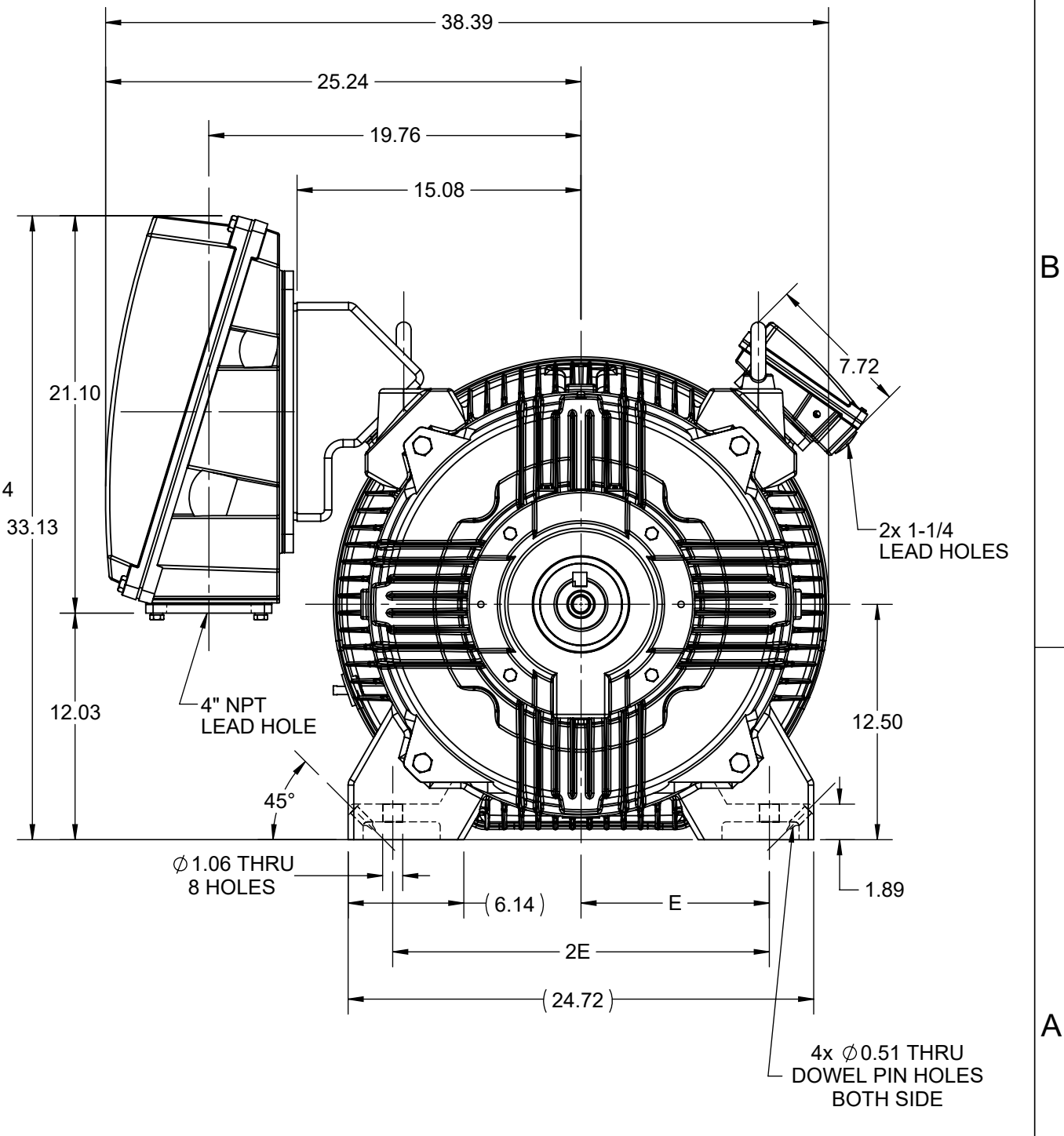
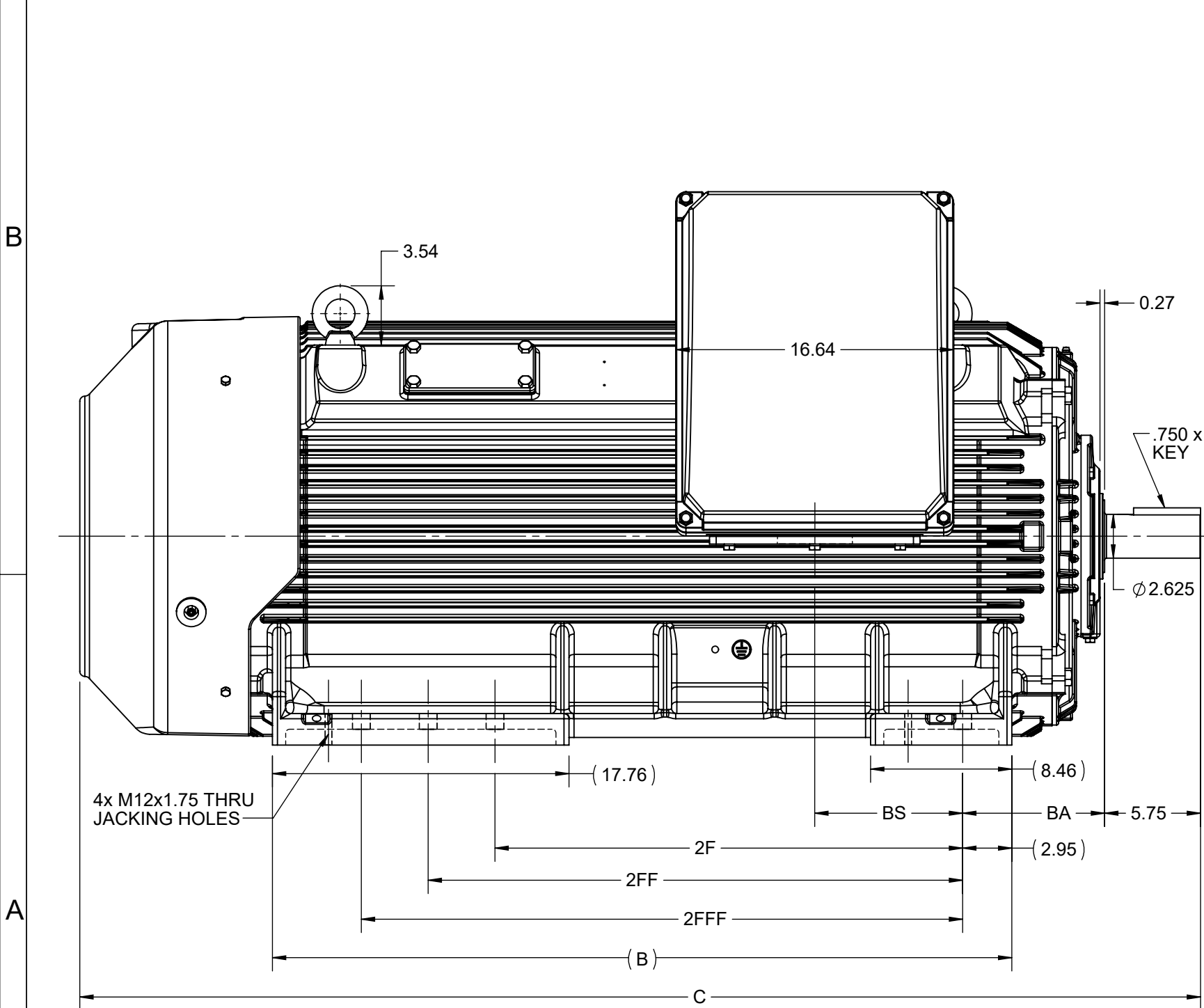
Output HP	450 Hp	Output KW	340.0 kW
Frequency	60 Hz	Voltage	460 V
Current	486.0 A	Speed	1787 rpm
Service Factor	1.15	Phase	3
Efficiency	96.2 %	Power Factor	90.2
Duty	Continuous	Insulation Class	H
Design Code	B	KVA Code	G
Frame	5011LS	Enclosure	Totally Enclosed Fan Cooled
Thermal Protection	No Protection	Ambient Temperature	40 °C
Drive End Bearing Size	6322	Opp Drive End Bearing Size	6319
UL	Recognized	CSA	Y
CE	Y	IP Code	56
Number of Speeds	1		

Technical Specifications

Electrical Type	Squirrel Cage Inverter Rated	Starting Method	Line Or Inverter
Poles	4	Rotation	Reversible
Resistance Main	.0067 Ohms	Mounting	Rigid Base
Motor Orientation	Horizontal	Drive End Bearing	Ball
Opp Drive End Bearing	Ball	Frame Material	Cast Iron
Shaft Type	LS	Shaft Diameter	2.875 in
Assembly/Box Mounting	F1/F2 CAPABLE	Inverter Load	CONSTANT 2:1/VARIABLE 10:1
Outline Drawing	SS621043	Connection Drawing	EE7300CD

This is an uncontrolled document once printed or downloaded and is subject to change without notice. Date Created:11/29/2022

4			3				2		1
B	C	E	2E	2F	2FF	2FFF	BA	BS	MOUNTING
44.27	67.10	10.00	20.00	28.00	32.00	36.00	8.50	8.85	F1/F2/F3



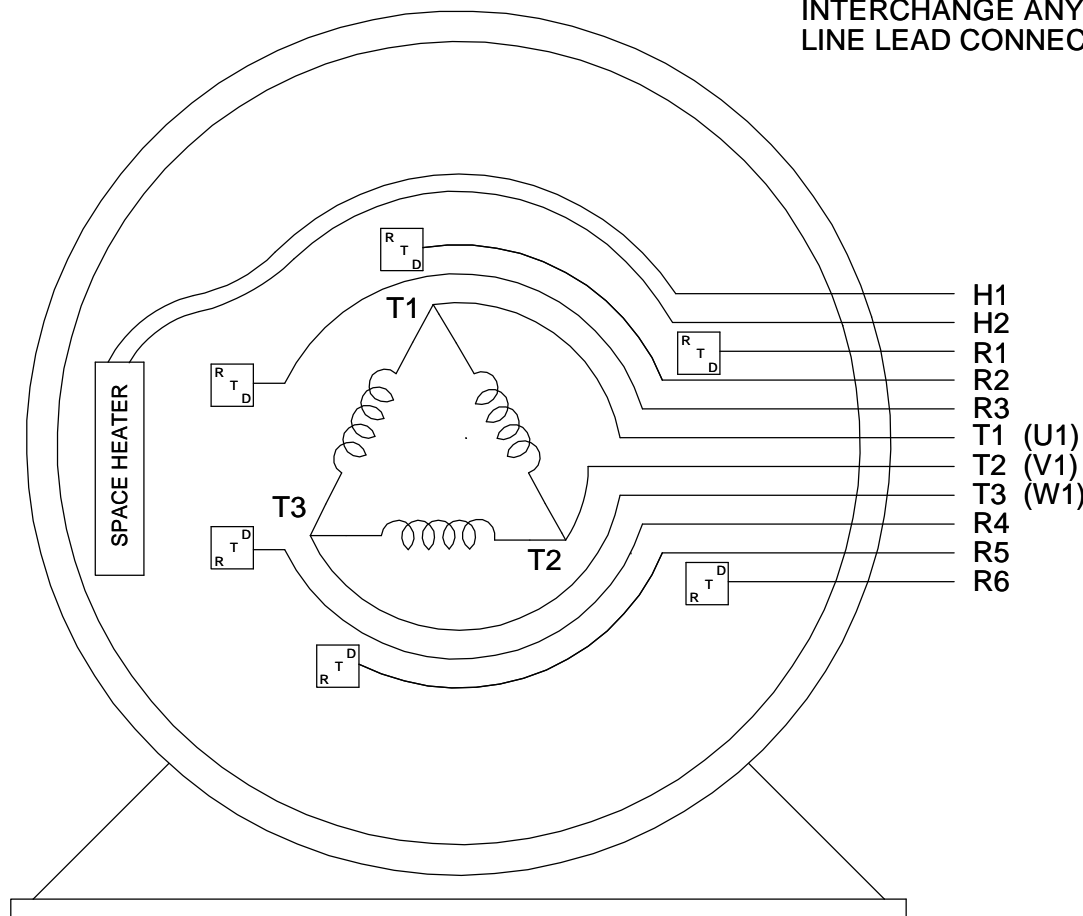
DRAWING REVISION C	REVISION BY BISWA	REV DATE/© DATE 11/01/2021
ECO CR-0000524	APPROVED BY SBD	DATE 11/01/2021
ECO DESCRIPTION DRAWING UPDATED		
<small>COPYRIGHT (PER REVISION DATE) REGAL BELOIT AMERICA, INC. ALL RIGHTS RESERVED. PROPRIETARY AND CONFIDENTIAL INFORMATION - THIS DOCUMENT IS THE PROPERTY OF REGAL BELOIT AMERICA, INC. ("OWNER") AND CONTAINS OWNER'S PROPRIETARY INFORMATION. ANY PERSON, CORPORATION OR OTHER FIRM RECEIVING IT IS DEEMED, BY RECEIVING IT, TO AGREE THAT IT, AND/OR ANY PART OF IT, SHALL NOT BE DISCLOSED TO ANY PERSON, CORPORATION OR OTHER ENTITY, DUPLICATED, AND/OR USED, EXCEPT AS EXPRESSLY APPROVED IN WRITING IN ADVANCE BY OWNER. THIS DOCUMENT SHALL BE RETURNED TO OWNER UPON REQUEST. IT MAY BE SUBJECT TO CERTAIN RESTRICTIONS UNDER APPLICABLE EXPORT CONTROL LAWS AND REGULATIONS.</small>		

PRIMARY DIMENSIONS ARE INCH
mm DIMENSIONS IN [BRACKETS]
ARE FOR REFERENCE ONLY

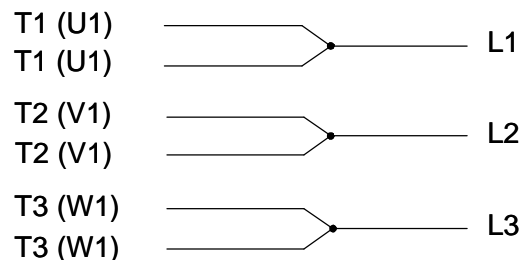
DRAWN BY BISWA	REGAL ® Regal Beloit America, Inc.
DATE 17/07/2020	
APPROVED BY SBD	DESCRIPTION OUTLINE 5009-5011LS-B3 MTG-SD
DATE 17/07/2020	MATERIAL
REFERENCE	PROCESS/FINISH
THIRD ANGLE PROJECTION	SIZE B
	DRAWING NUMBER SS621043
	SHEET 1 OF 1

THREE PHASE - SINGLE VOLTAGE
MOTOR OR INDUCTION GENERATOR
WITH 6 RTD'S 2 PER PHASE
MARKED R1 THRU R6, AND ONE
SPACE HEATER MARKED H1 & H2.

TO REVERSE ROTATION
INTERCHANGE ANY TWO
LINE LEAD CONNECTIONS.



IF MOTOR HAS MULTIPLE
T'S PER LEAD CONNECT
TOGETHRE LIKE T'S



A-9806 DECAL

VIEW OF TERMINAL END

DRAWING REVISION C	REVISION BY SD	REV DATE/© DATE 12/13/2019	TOLERANCES (EXCEPT AS NOTED): DEC. INCH mm ANGLE .X ±0.1 [±3] ±7' 30" .XX ±0.02 [±0.5] .XXX ±0.005 [±0.13] .XXXX ±0.0005 [±0.013] REMOVE BURRS & BREAK SHARP EDGES: .003/.015 [.08/.38] X 45° CORNER FILLETS: R.02 [.5] MACHINED SURFACES: 200/ 5.1 INCH/mm mm DIMENSIONS IN [BRACKETS] ARE FOR REFERENCE ONLY	DRAWN BY RM	Regal Beloit America, Inc.
ECO ECO-0178718	APPROVED BY GM	DATE 12/13/2019		DATE 03-27-1991	
ECO DESCRIPTION LOGO UPDATED				APPROVED BY ML	DESCRIPTION CONNECTION DIAGRAM SINGLE VOLT - 3<MOD-DIAM> MOTOR
COPYRIGHT (PER REVISION DATE) REGAL BELOIT AMERICA, INC. ALL RIGHTS RESERVED. PROPRIETARY AND CONFIDENTIAL INFORMATION - THIS DOCUMENT IS THE PROPERTY OF REGAL BELOIT AMERICA, INC. ("OWNER") AND CONTAINS OWNER'S PROPRIETARY INFORMATION. ANY PERSON, CORPORATION OR OTHER FIRM RECEIVING IT IS DEEMED, BY RECEIVING IT, TO AGREE THAT IT, AND/OR ANY PART OF IT, SHALL NOT BE DISCLOSED TO ANY PERSON, CORPORATION OR OTHER ENTITY, DUPLICATED, AND/OR USED, EXCEPT AS EXPRESSLY APPROVED IN WRITING IN ADVANCE BY OWNER. THIS DOCUMENT SHALL BE RETURNED TO OWNER UPON REQUEST. IT MAY BE SUBJECT TO CERTAIN RESTRICTIONS UNDER APPLICABLE EXPORT CONTROL LAWS AND REGULATIONS.				DATE 03-27-1991	MATERIAL
				REFERENCE	PROCESS/FINISH
			THIRD ANGLE PROJECTION	SIZE A	DRAWING NUMBER EE7300CD
					SHEET 1 OF 1



P.O. BOX 8003
WAUSAU, WI 54401-8003
PH. 715-675-3311

DATA VOLTS: 460

CERTIFICATION DATA SHEET

CUSTOMER: _____
ORDER #: _____
CONN. DIAGRAM: EE7300CD
OUTLINE: SS621043
WINDING: HA33154022 NONE 1
SPEED: _____

CUSTOMER P.O. #: _____
REFERENCE MODEL #: 5011LSTHFCD9027
CAT #: W663
CUSTOMER PART #: _____
MOUNTING: F1/F2 CAPABLE

TYPICAL MOTOR PERFORMANCE DATA

HP	KW	SYNC RPM	FL RPM	FRAME	ENCLOSURE	TYPE	KVA CODE	DESIGN
450	336	1800	1787	5011LS	TEFC	TFC	G	B

PH	HZ	VOLTS	AMPS	START TYPE	DUTY	INSL	S.F.	AMB(° C)	ELEV.(Ft.)
3	60	460	486	LINE OR INVERTER	CONT	H	1.15	40	3300

F.L. EFF	3/4 LD EFF	1/2 LD EFF	GTD EFF	ELECT. TYPE
96.2	96.3	95.9	95.8	SQ CAGE INV RATED
F.L. PF	3/4 LD PF	1/2 LD PF		
90.2	89.2	84.9	95.8	

F.L. TORQUE	LR AMPS @ 460 V	L.R. TORQUE	B.D. TORQUE	F.L. RISE (° C)
1,323 LB-FT	3,450	2,510 LB-FT	3,085 LB-FT	75

SOUND PRESSURE @ 3 FT.	SOUND	POWER	ROTOR WK ²	MAX. LOAD WK ²	SAFE STALL TIME	STARTS/HOUR	APROX. MOTOR WGT
85 dBA	94 dBA		205 LB-FT ²	- LB-FT ²	46 SEC.	2	4723 LB.

***** SUPPLEMENTAL INFORMATION *****

DE BRACKET TYPE	ODE BRACKET TYPE	MOUNT TYPE	MOTOR ORIENTATION	SEVERE DUTY	HAZARDOUS LOCATION	DRIP COVER	SCREENS	PAINT
STANDARD	STANDARD	RIGID	HORIZONTAL	PREMIUM SEVERE DUTY	NONE	NO	NONE	BLUE (EPOXY)

BEARINGS		GREASE	SHAFT TYPE	SPECIAL DE	SPECIAL ODE	SHAFT MATERIAL	FRAME MATERIAL
DE	ODE						
BALL	BALL	POLYREX EM	LS	NONE	NONE	1045 HOT ROLLED (C-204)	CAST IRON
6322	6319						

THERMOSTATS	PROTECTORS	WDG RTD's	BRG RTD's	THERMISTORS	CONTROL	SPACE HEATERS
NONE	NOT	ATINUM TWO PER PHASE	PLATINUM DE AND ODE	NONE	FALSE	SILICONE FREE 120V

R1 (ohms/ph)	R2 (ohms/ph)	X1 (ohms/ph)	X2 (ohms/ph)	Xm (ohms/ph)	VIBRATION (in/sec)	FLOAT
0.004	0.004	0.037	0.082	2.331	0.080	ODE

* N O T E S *	INVERTER TORQUE: CONSTANT 2:1/VARIABLE 10:1 INV. HP SPEED RANGE: NONE					
	ENCODER: NONE NONE NONE PPR					
	BRAKE: NONE NONE NONE FT-LB: NA VOLTAGE: NONE HZ:					
	UL: V - LI,ME-INS.CONST UL REC					
	PREPARED BY: _____ 0 DATE: 3/9/2021					

FORM: 3531 REV_4 2/27/06

Data Sheet

Date: 3/9/2021
 Customer: _____
 Attention: _____
 Submitted by: _____



5011LSTHFC9027

Submittal

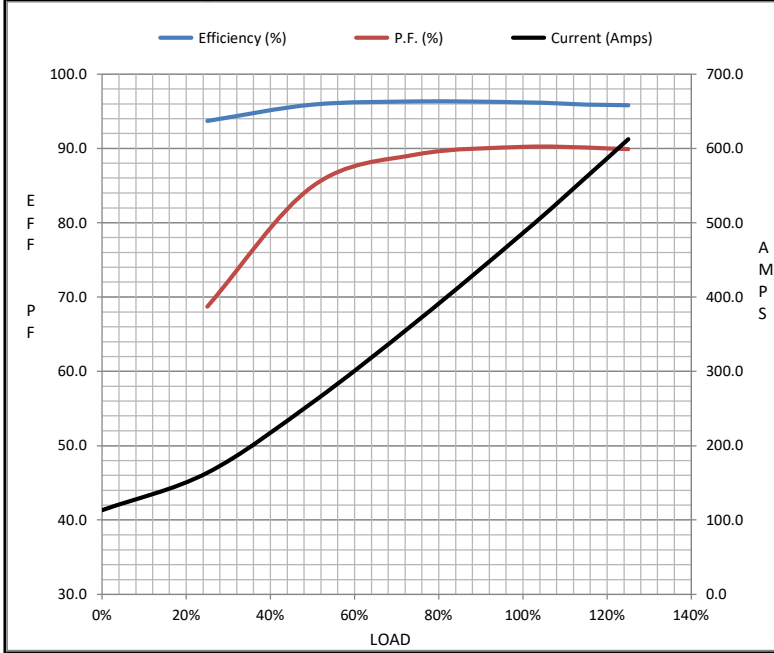
Data @ 460 V

Motor Load Data

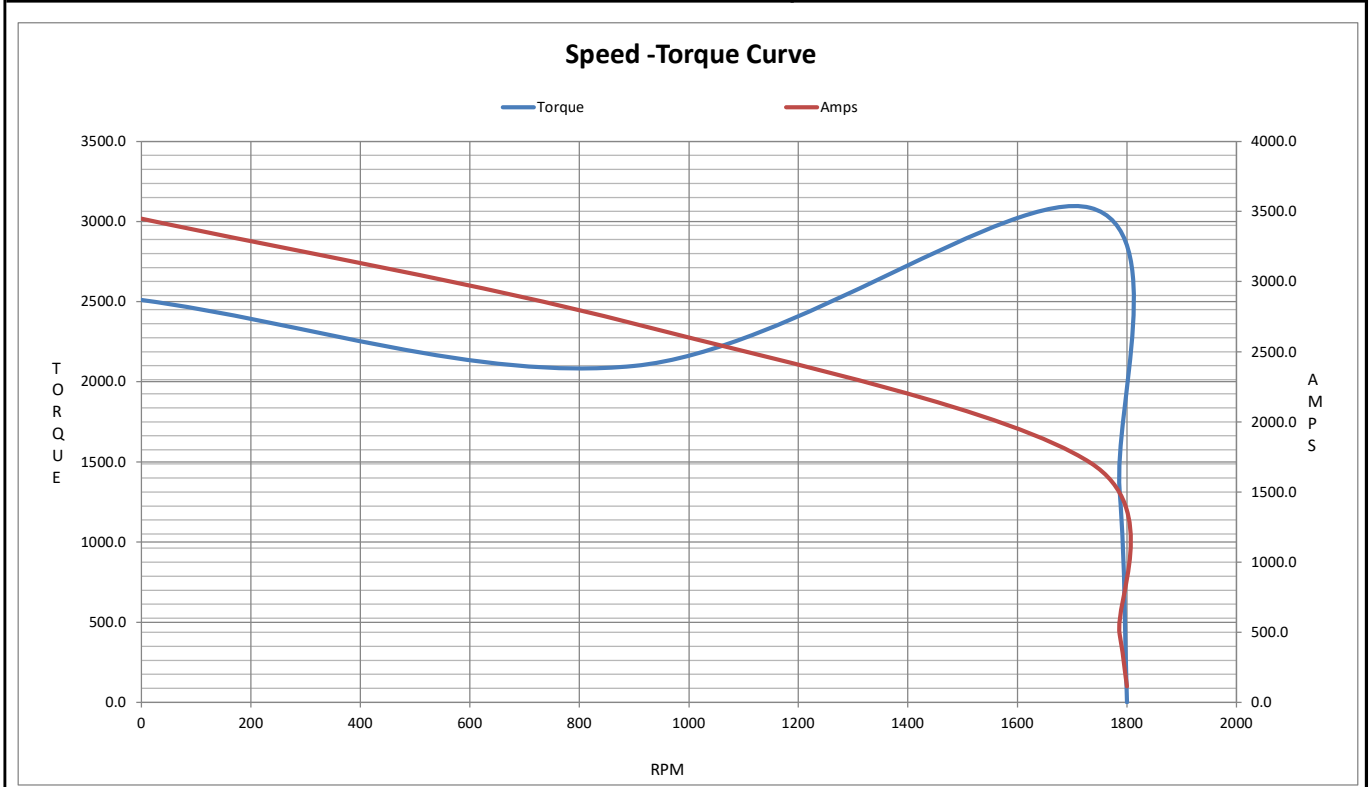
Load	0%	25%	50%	75%	100%	115%	125%	LR	
Current (Amps)	113	164	259	368	486	561	613	3,450	
Torque (ft-lb)	0.00	329	659	990	1,323	1,523	1,657	2,510	
RPM	1800	1797	1794	1790	1787	1,784	1783	0	
Efficiency (%)		93.7	95.9	96.3	96.2	95.9	95.8		
P.F. (%)	5.7	68.7	84.9	89.2	90.2	90.1	89.9	32.0	

Motor Speed Data

	LR	Pull-Up	BD	Rated	Idle	Information Block				
Speed (RPM)	0	900	1733	1787	1800	HP	450.0			
Current (Amps)	3,450	2,700	1,710	486	113	Sync. RPM	1800			
Torque (ft-lb)	2,510	2,100	3,085	1,323	0.00	Frame	5011			
						Enclosure	TEFC			
						Construction	TFC			
						Voltage	460	V		
						Frequency	60	Hz		
						Design	B			
						LR Code letter	G			
						Service Factor	1.15			
						Temp Rise @ FL	75	° C		
						Duty	CONT			
						Ambient	40	° C		
						Elevation	3,300	feet		
						Rotor/Shaft wk ²	205	Lb-Ft ²		
						Ref Wdg	HA33154022 NONE			
						Sound Pressure @ 1M	85	dBA		
						VFD Rating	CONSTANT 2:1/VARIABLE 10:1			
						Outline Dwg	SS621043			
						Conn. Diag	EE7300CD			
						Additional Specifications:				
						0				
						0				
						EQUIV CKT (OHMS / PHASE)				
						R1	R2	X1	X2	Xm
						0.0040	0.0040	0.0370	0.0820	2.3310



HP	450.0		
Sync. RPM	1800		
Frame	5011		
Enclosure	TEFC		
Construction	TFC		
Voltage	460	V	
Frequency	60	Hz	
Design	B		
LR Code letter	G		
Service Factor	1.15		
Temp Rise @ FL	75	° C	
Duty	CONT		
Ambient	40	° C	
Elevation	3,300	feet	
Rotor/Shaft wk ²	205	Lb-Ft ²	
Ref Wdg	HA33154022 NONE		
Sound Pressure @ 1M	85	dBA	
VFD Rating	CONSTANT 2:1/VARIABLE 10:1		
Outline Dwg	SS621043		
Conn. Diag	EE7300CD		
Additional Specifications:			
0			
0			
EQUIV CKT (OHMS / PHASE)			
R1	R2	X1	X2
0.0040	0.0040	0.0370	0.0820
			Xm
			2.3310



EC Declaration of Conformity

The undersigned representing
the manufacturer:

Regal Beloit America
100 East Randolph St.
Wausau, WI 54401

and the authorized representative
established within the Community:

Marathon Electric UK
6F Thistleton Road Ind. Estate
Market Overton
Oakham, Rutland LE15 7PP UK

are committed to providing customers with products that comply with applicable regulations and international protocols to which they are subject, including the requirements of the European Parliament Directive on the Harmonization of the laws relating to electrical equipment designed for use within certain voltage limits (2014/35/EU).

Regal Beloit America declares that the following product(s), to which this declaration relates, are in conformity with the relevant sections of the EC standards listed below.

This statement supersedes any statements previously issued pertaining to the product(s) listed below and is subject to change without notice.

Model No : 5011LSTHFCD9027

(Model No. may contain prefix and/or suffix characters)

Catalog No : Y9267

Rework No : N/A

Directives :

Low Voltage Directive 2014/35/EU

Harmonized Standards Used :

EN 60034-1: 2010 (IEC 60034-1: 2010)

EN 60034-5: 2001/A1:2007 (IEC 60034-5: 2000/A1:2006)

Authorized Representative:



Michael A. Logsdon
Vice President, Technology

Authorized Representative in the Community:



Julian Clark
Marketing Engineer

Created on 09/01/2022

CE 22