

# PRODUCT INFORMATION PACKET

**marathon**<sup>®</sup>  
Motors

Model No: 5011LSTFCD6527  
Catalog No: Y9247  
450,1800,TEFC,5011LS,3/60/460  
Miscellaneous

Regal and Marathon are trademarks of Regal Rexnord Corporation or one of its affiliated companies.  
©2021 Regal Rexnord Corporation, All Rights Reserved. MC017097E

The logo for Regal Rexnord, featuring a stylized 'R' icon followed by the text 'RegalRexnord'.



### Nameplate Specifications

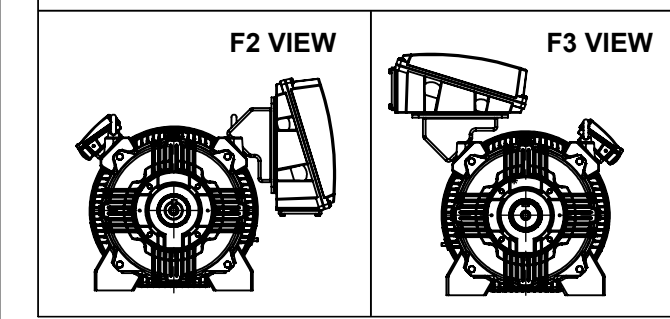
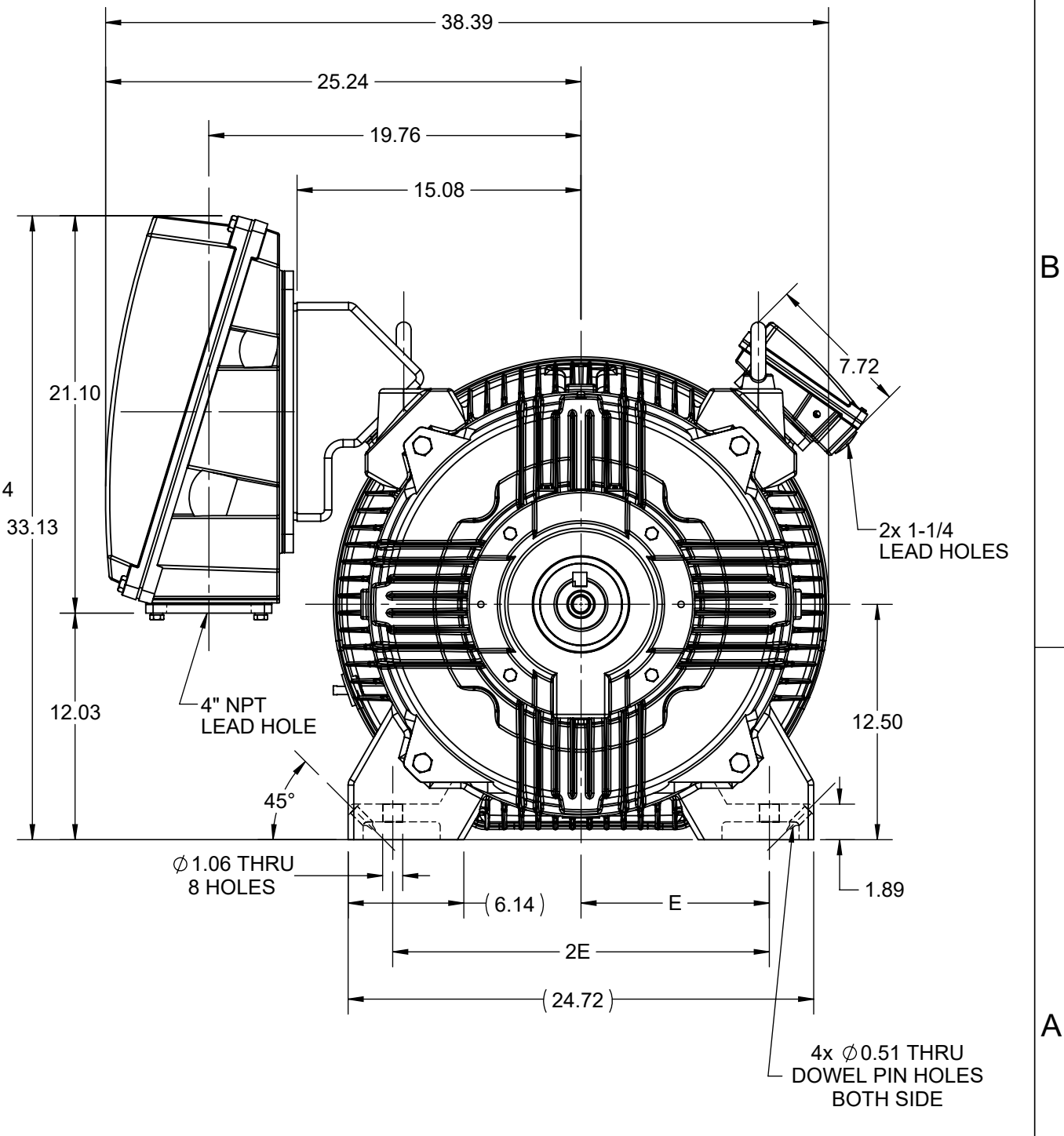
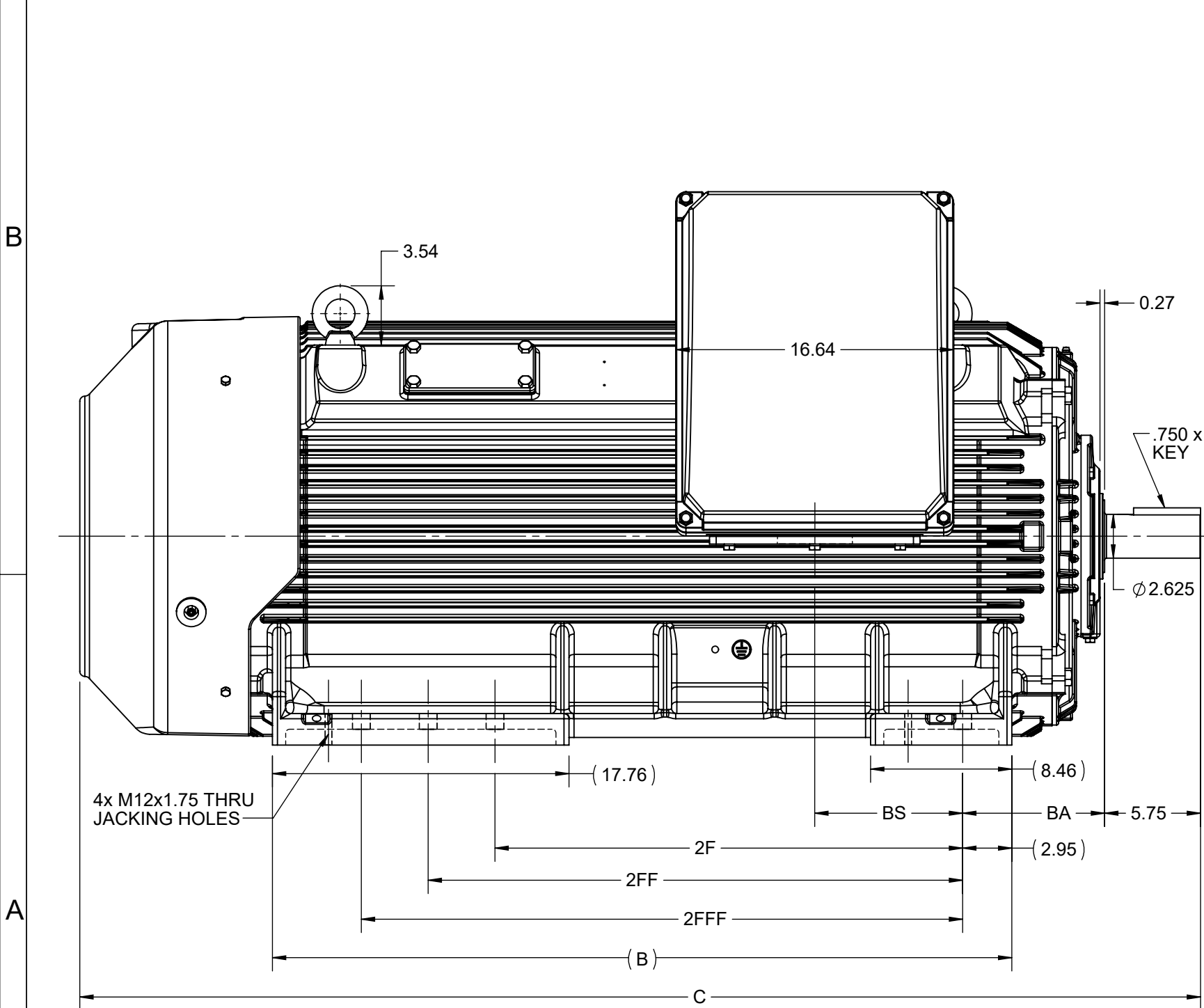
Output HP	<b>450 Hp</b>	Output KW	<b>340.0 kW</b>
Frequency	<b>60 Hz</b>	Voltage	<b>460 V</b>
Current	<b>486.0 A</b>	Speed	<b>1787 rpm</b>
Service Factor	<b>1.15</b>	Phase	<b>3</b>
Efficiency	<b>96.2 %</b>	Power Factor	<b>90.2</b>
Duty	<b>Continuous</b>	Insulation Class	<b>H</b>
Design Code	<b>B</b>	KVA Code	<b>G</b>
Frame	<b>5011LS</b>	Enclosure	<b>Totally Enclosed Fan Cooled</b>
Thermal Protection	<b>No</b>	Ambient Temperature	<b>40 °C</b>
Drive End Bearing Size	<b>6322</b>	Opp Drive End Bearing Size	<b>6319</b>
UL	<b>Recognized</b>	CSA	<b>Y</b>
CE	<b>Y</b>	IP Code	<b>55</b>
Number of Speeds	<b>1</b>		

### Technical Specifications

Electrical Type	<b>Squirrel Cage Inverter Rated</b>	Starting Method	<b>Line Or Inverter</b>
Poles	<b>4</b>	Rotation	<b>Selective Clockwise</b>
Resistance Main	<b>.0067 Ohms</b>	Mounting	<b>Rigid Base</b>
Motor Orientation	<b>Horizontal</b>	Drive End Bearing	<b>Ball</b>
Opp Drive End Bearing	<b>Ball</b>	Frame Material	<b>Cast Iron</b>
Shaft Type	<b>LS</b>	Assembly/Box Mounting	<b>F1/F2 CAPABLE</b>
Outline Drawing	<b>SS621043</b>	Connection Drawing	<b>EE7300CD</b>

This is an uncontrolled document once printed or downloaded and is subject to change without notice. Date Created:10/11/2021

4			3				2		1	
B	C	E	2E	2F	2FF	2FFF	BA	BS	MOUNTING	
44.27	67.10	10.00	20.00	28.00	32.00	36.00	8.50	8.85	F1/F2/F3	



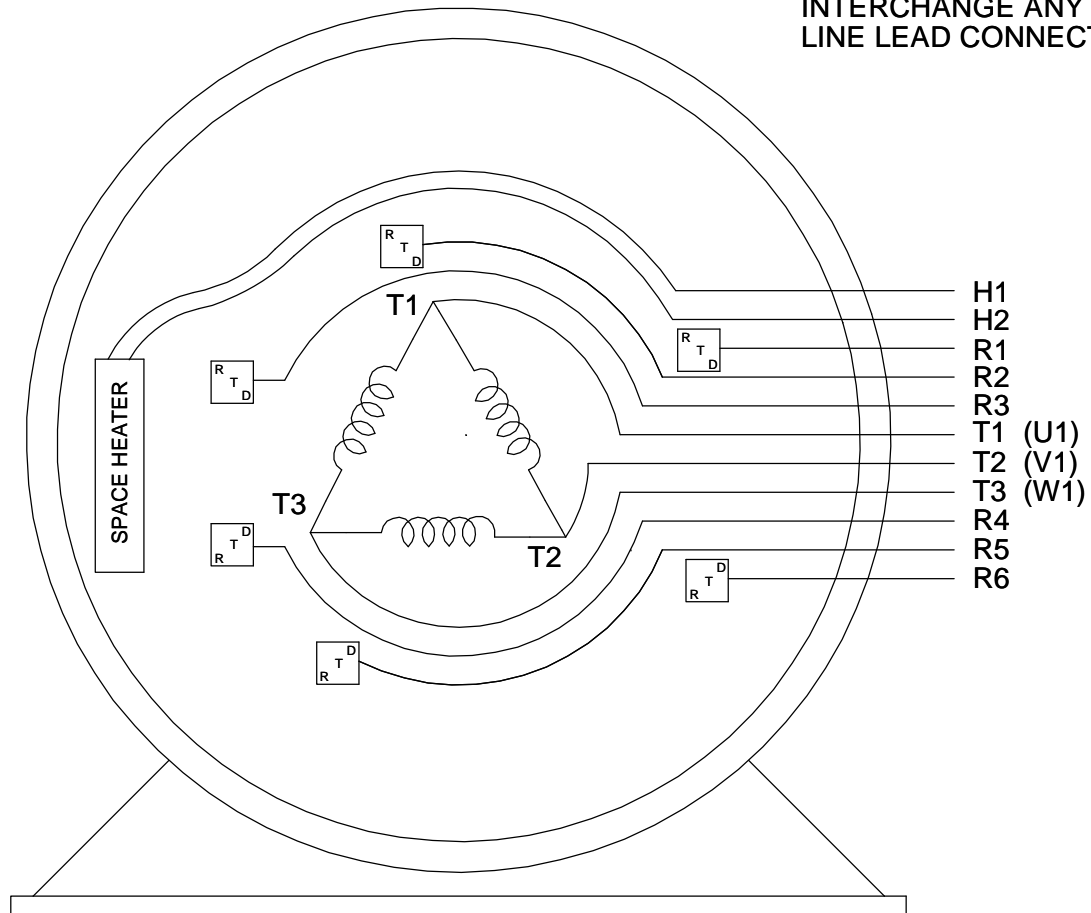
DRAWING REVISION C	REVISION BY BISWA	REV DATE/© DATE 11/01/2021
ECO CR-0000524	APPROVED BY SBD	DATE 11/01/2021
ECO DESCRIPTION <b>DRAWING UPDATED</b>		
<small>COPYRIGHT (PER REVISION DATE) REGAL BELOIT AMERICA, INC. ALL RIGHTS RESERVED. PROPRIETARY AND CONFIDENTIAL INFORMATION - THIS DOCUMENT IS THE PROPERTY OF REGAL BELOIT AMERICA, INC. ("OWNER") AND CONTAINS OWNER'S PROPRIETARY INFORMATION. ANY PERSON, CORPORATION OR OTHER FIRM RECEIVING IT IS DEEMED, BY RECEIVING IT, TO AGREE THAT IT, AND/OR ANY PART OF IT, SHALL NOT BE DISCLOSED TO ANY PERSON, CORPORATION OR OTHER ENTITY, DUPLICATED, AND/OR USED, EXCEPT AS EXPRESSLY APPROVED IN WRITING IN ADVANCE BY OWNER. THIS DOCUMENT SHALL BE RETURNED TO OWNER UPON REQUEST. IT MAY BE SUBJECT TO CERTAIN RESTRICTIONS UNDER APPLICABLE EXPORT CONTROL LAWS AND REGULATIONS.</small>		

PRIMARY DIMENSIONS ARE INCH  
mm DIMENSIONS IN [BRACKETS]  
ARE FOR REFERENCE ONLY

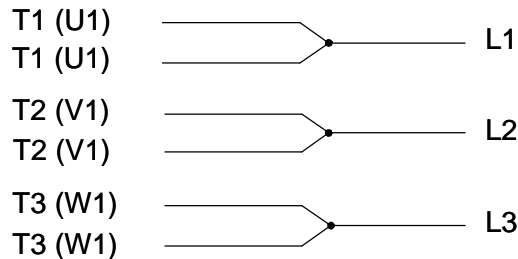
DRAWN BY BISWA	<b>REGAL</b> ® Regal Beloit America, Inc.
DATE 17/07/2020	
APPROVED BY SBD	DESCRIPTION <b>OUTLINE</b> 5009-5011LS-B3 MTG-SD
DATE 17/07/2020	MATERIAL
REFERENCE	PROCESS/FINISH
THIRD ANGLE PROJECTION	SIZE <b>B</b>
	DRAWING NUMBER <b>SS621043</b>
	SHEET 1 OF 1

THREE PHASE - SINGLE VOLTAGE  
MOTOR OR INDUCTION GENERATOR  
WITH 6 RTD'S 2 PER PHASE  
MARKED R1 THRU R6, AND ONE  
SPACE HEATER MARKED H1 & H2.

TO REVERSE ROTATION  
INTERCHANGE ANY TWO  
LINE LEAD CONNECTIONS.


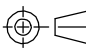


IF MOTOR HAS MULTIPLE  
T'S PER LEAD CONNECT  
TOGETHRE LIKE T'S



A-9806 DECAL

VIEW OF TERMINAL END

DRAWING REVISION <b>C</b>		REVISION BY <b>SD</b>		REV DATE/© DATE <b>12/13/2019</b>		TOLERANCES (EXCEPT AS NOTED): DEC.    INCH    mm    ANGLE .X    ±0.1    [±3]    ±7' 30"		DRAWN BY <b>RM</b>		 <b>Regal Beloit America, Inc.</b>	
ECO <b>ECO-0178718</b>		APPROVED BY <b>GM</b>		DATE <b>12/13/2019</b>		REMOVE BURRS & BREAK SHARP EDGES: .003/.015 [.08/.38] X 45° CORNER FILLETS: R.02 [.5] MACHINED SURFACES: 200/ 5.1 INCH √ mm √		DATE <b>03-27-1991</b>			
ECO DESCRIPTION <b>LOGO UPDATED</b>						.XXX ±0.005 [±0.13] .XXXX ±0.0005 [±0.013]		APPROVED BY <b>ML</b>		DESCRIPTION <b>CONNECTION DIAGRAM</b> SINGLE VOLT - 3<MOD-DIAM> MOTOR	
<small>COPYRIGHT (PER REVISION DATE) REGAL BELOIT AMERICA, INC. ALL RIGHTS RESERVED. PROPRIETARY AND CONFIDENTIAL INFORMATION - THIS DOCUMENT IS THE PROPERTY OF REGAL BELOIT AMERICA, INC. ("OWNER") AND CONTAINS OWNER'S PROPRIETARY INFORMATION. ANY PERSON, CORPORATION OR OTHER FIRM RECEIVING IT IS DEEMED, BY RECEIVING IT, TO AGREE THAT IT, AND/OR ANY PART OF IT, SHALL NOT BE DISCLOSED TO ANY PERSON, CORPORATION OR OTHER ENTITY, DUPLICATED, AND/OR USED, EXCEPT AS EXPRESSLY APPROVED IN WRITING IN ADVANCE BY OWNER. THIS DOCUMENT SHALL BE RETURNED TO OWNER UPON REQUEST. IT MAY BE SUBJECT TO CERTAIN RESTRICTIONS UNDER APPLICABLE EXPORT CONTROL LAWS AND REGULATIONS.</small>						MATERIAL		PROCESS/FINISH		SHEET <b>1 OF 1</b>	
						THIRD ANGLE PROJECTION 		SIZE <b>A</b>		DRAWING NUMBER <b>EE7300CD</b>	