

# PRODUCT INFORMATION PACKET

**marathon**<sup>®</sup>  
Motors

Model No: 5011LHFS18588  
Catalog No: 5011LHFS18588  
335,1000,TEBC,5011L,3/50/690

Regal and Marathon are trademarks of Regal Rexnord Corporation or one of its affiliated companies.  
©2023 Regal Rexnord Corporation, All Rights Reserved. MC017097E

**RegalRexnord**

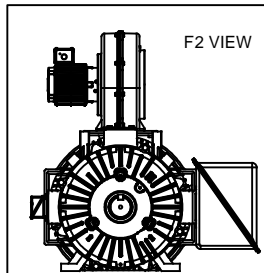
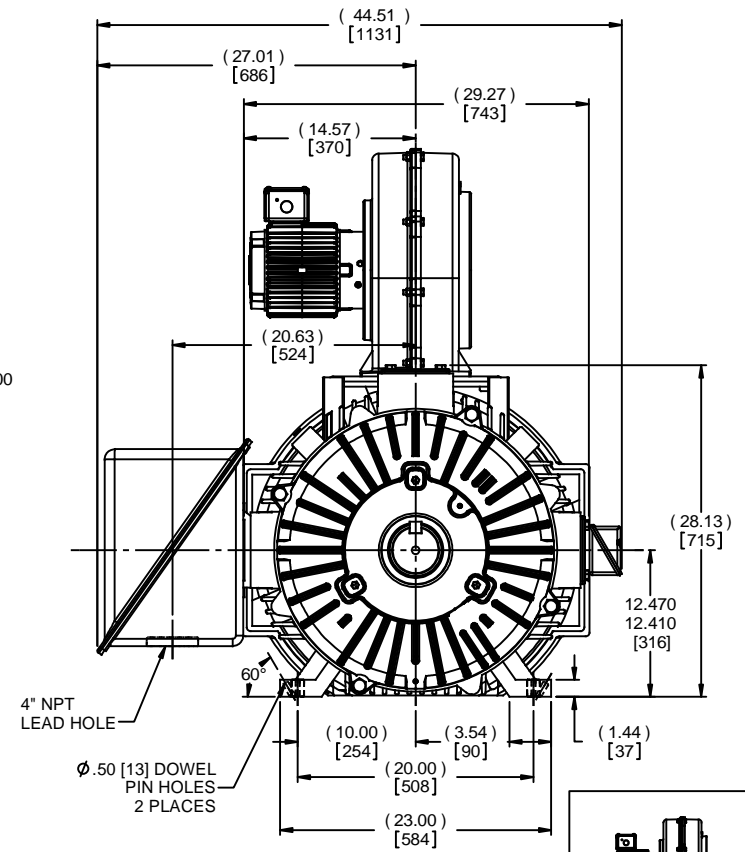
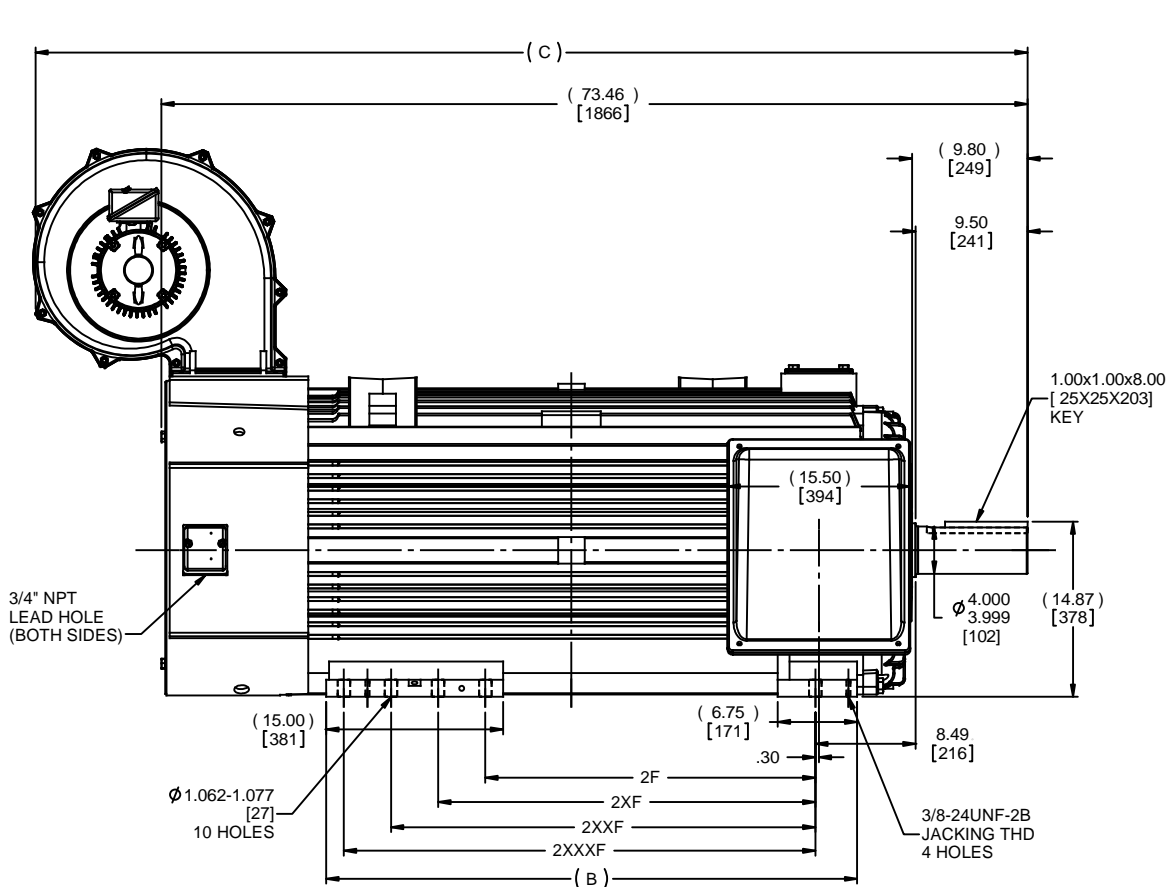
### Nameplate Specifications

Phase	<b>3</b>	Output HP	<b>335 Hp</b>
Output KW	<b>250.0 kW</b>	Voltage	<b>690 V</b>
Speed	<b>990 rpm</b>	Service Factor	<b>1</b>
Frame	<b>5011L</b>	Enclosure	<b>TEBC-RADIAL</b>
Thermal Protection	<b>Thermostat</b>	Efficiency	<b>96.2 %</b>
Ambient Temperature	<b>40 °C</b>	Frequency	<b>50 Hz</b>
Current	<b>256.0 A</b>	Power Factor	<b>84</b>
Duty	<b>Continuous</b>	Insulation Class	<b>H</b>
Design Code	<b>A</b>	KVA Code	<b>J</b>
Drive End Bearing Size	<b>6324</b>	Opp Drive End Bearing Size	<b>6318</b>
UL	<b>No</b>	CSA	<b>Y</b>
CE	<b>N</b>	IP Code	<b>54</b>
Number of Speeds	<b>1</b>		

### Technical Specifications

Electrical Type	<b>Squirrel Cage Inverter Duty</b>	Starting Method	<b>Inverter Only</b>
Poles	<b>6</b>	Rotation	<b>Reversible</b>
Resistance Main	<b>.012 Ohms</b>	Mounting	<b>Rigid Base</b>
Motor Orientation	<b>Horizontal</b>	Drive End Bearing	<b>Ball</b>
Opp Drive End Bearing	<b>Ball</b>	Frame Material	<b>Cast Iron</b>
Shaft Type	<b>L</b>	Assembly/Box Mounting	<b>F2/F1 CAPABLE</b>
Outline Drawing	<b>B-SS553560-4950</b>	Connection Drawing	<b>A-EE7300LE</b>

This is an uncontrolled document once printed or downloaded and is subject to change without notice. Date Created:08/24/2023



- NOTES:  
 1. CONDUIT BOX CAN BE ROTATED IN 90° STEPS.  
 2. NAMEPLATE TO BE READ FROM CONDUIT BOX SIDE OF MOTOR.  
 3. MOTOR WEIGHT (MAXIMUM) =        LBS  
 4. DIMENSIONS IN [ ] ARE IN MILLIMETERS.

DASH	FRAME	B	C	2F	2XF	2XXF	2XXXF
4950	5009L	45.05 [1144]	84.15 [2137]	28.00 [711]			
4950	5010L	45.05 [1144]	84.15 [2137]		32.00 [813]		
4950	5011L	45.05 [1144]	84.15 [2137]			36.00 [914]	
4950	5012L	45.05 [1144]	84.15 [2137]				40.00 [1016]

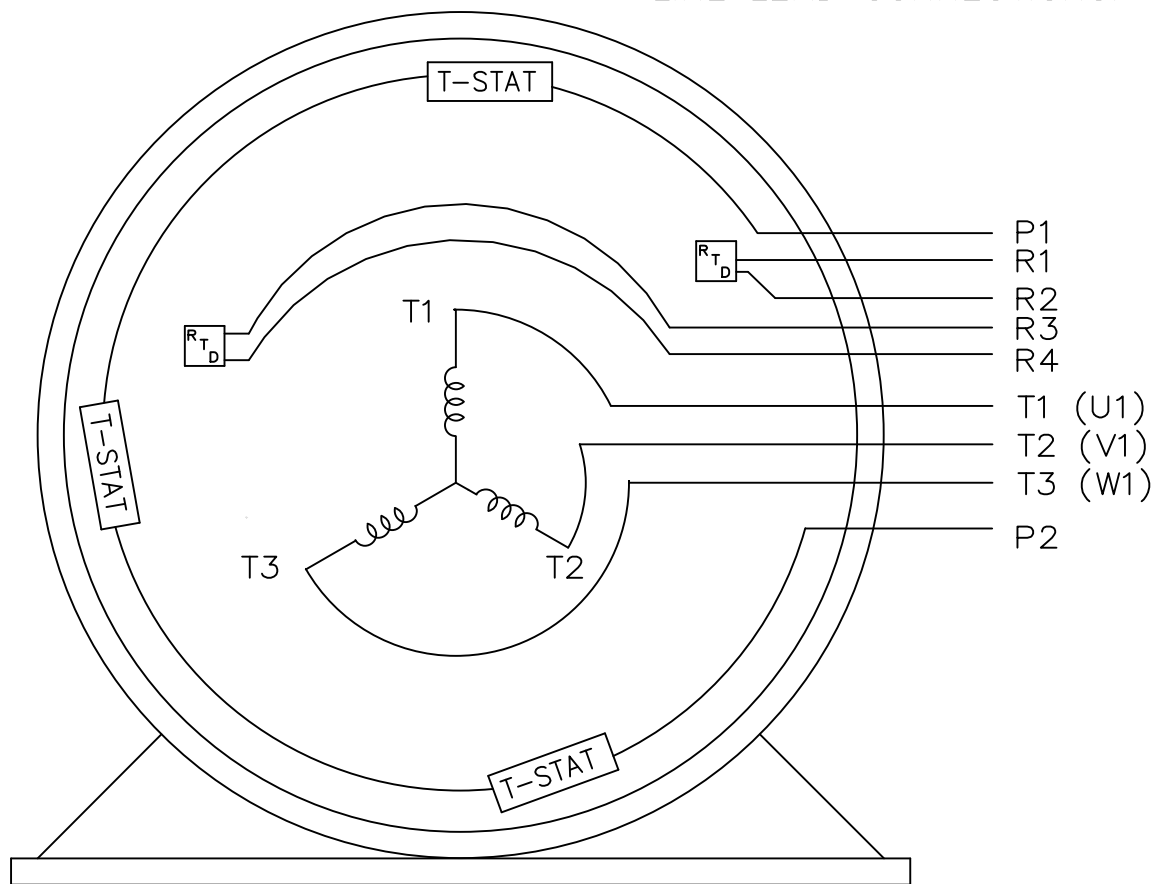
REVISION		BY & DATE	CHK	ANG	FINISH
1	CORRECTED B DIM. & REMOVED BS COL. FROM TABLE	JJB 04/02/2009		±7'30"	

TOLERANCES UNLESS SPECIFIED:			DRAWN	CTQ 03-18-200
DEC	INCHES		CHK	MH 04-27-2009
X	±.1	TITLE	OUTLINE - TEFC	
XX	±.03		APPR	MJS 04-27-2009
XXX	±.005		SCALE	1:10.5
XXXX	±.0005	MATL	REF	
			FMF	MU90235
			PAGE	OF
			SIZE	DRAWING NO
			<b>B</b>	<b>SS553560</b>
			REV	1

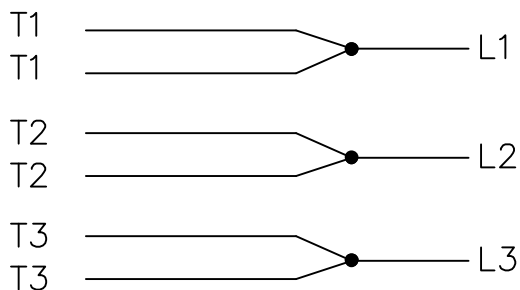
THREE PHASE – SINGLE VOLTAGE  
MOTOR OR INDUCTION GENERATOR

- 2 RTD'S
- 1 MARKED R1-R2,
- 1 MARKED R3-R4

TO REVERSE ROTATION:  
INTERCHANGE ANY TWO  
LINE LEAD CONNECTIONS.




IF MOTOR HAS MULTIPLE  
T'S PER LEAD CONNECT  
TOGETHER LIKE T'S



A-9806 DECAL

VIEW OF TERMINAL END

				TOLERANCES UNLESS SPECIFIED			DRAWN RJW 11-09-2006			
				DEC.	INCHES		CHK ML 11-09-2006			
				.X	±.1		APPD EAB 11-09-2006			
				.XX	±.02		SCALE			
				.XXX	±.005		REF			
1	ADDED (U1, V1 & W1) TO LEADS	RJW 08-23-07	ML	.XXXX	±.0005	MAT'L.	FMF			
NO.	REVISION	BY & DATE	CHK	ANG	±7'30"	FINISH	PREV			
THIS DRAWING IN DESIGN AND DETAIL IS OUR PROPERTY AND MUST NOT BE USED EXCEPT IN CONNECTION WITH OUR WORK ALL RIGHTS OF DESIGN AND INVENTION ARE RESERVED THIS IS AN ELECTRONICALLY GENERATED DOCUMENT - DO NOT SCALE THIS PRINT				RFP	11-09-2006	CAD FILE	EE7300LE	SIZE	DRAWING NO.	REV.
				DIST	WA			A	EE7300LE	1