

PRODUCT INFORMATION PACKET

marathon[®]
Motors

Model No: 5011LHFS18584
Catalog No: 5011LHFS18584
275,940,TEBC,5011L,3/47/460

Regal and Marathon are trademarks of Regal Rexnord Corporation or one of its affiliated companies.
©2023 Regal Rexnord Corporation, All Rights Reserved. MC017097E

The logo for Regal Rexnord, featuring a stylized 'R' icon followed by the text 'RegalRexnord'.

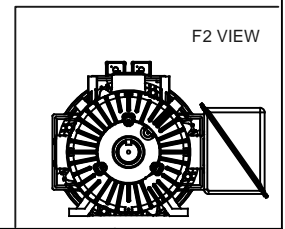
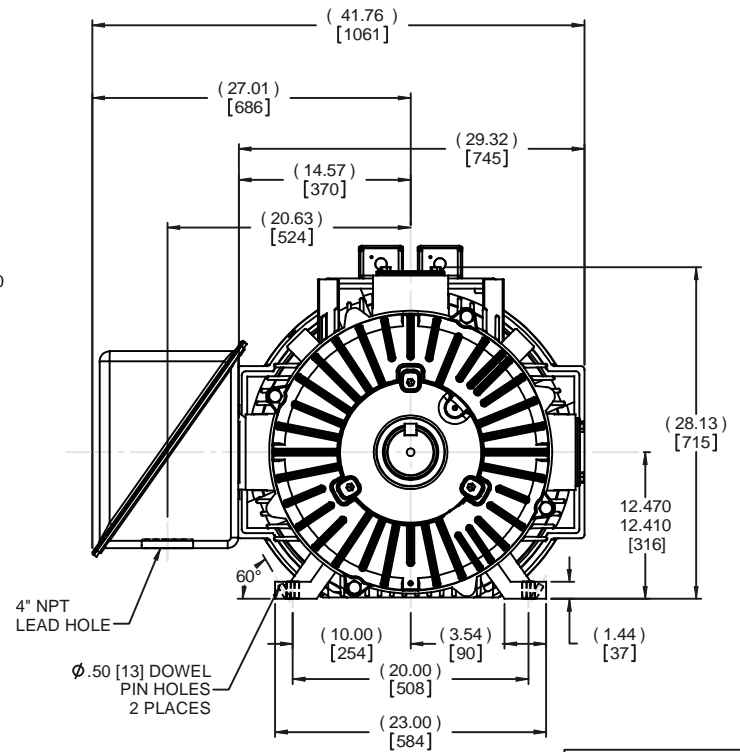
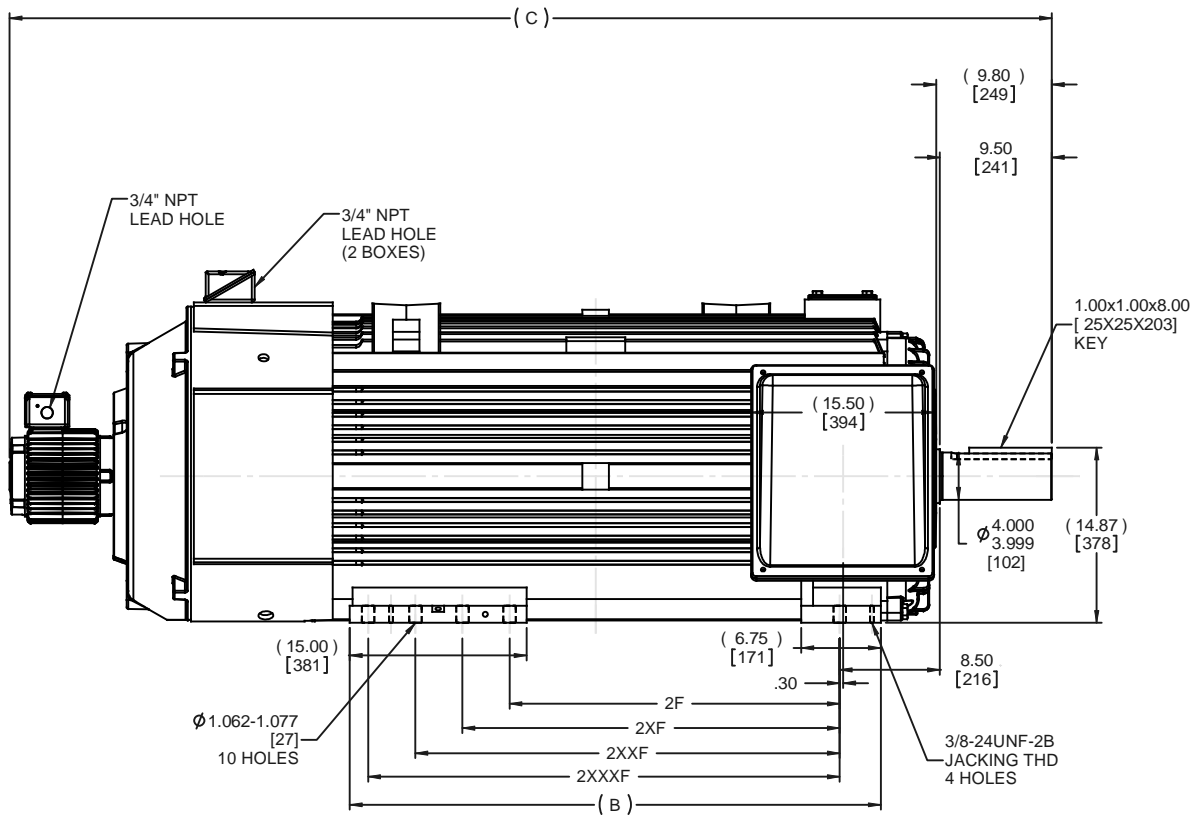
Nameplate Specifications

Phase	3	Output HP	275 Hp
Output KW	205.0 kW	Voltage	460 V
Speed	930 rpm	Service Factor	1
Frame	5011L	Enclosure	Totally Enclosed Blower cooled - Axial
Thermal Protection	Thermostat	Efficiency	95.8 %
Ambient Temperature	40 °C	Frequency	47 Hz
Current	320.0 A	Power Factor	84
Duty	Continuous	Insulation Class	H
Design Code	INV	KVA Code	K
Drive End Bearing Size	6324	Opp Drive End Bearing Size	6318
UL	No	CSA	Y
CE	N	IP Code	54
Number of Speeds	1		

Technical Specifications

Electrical Type	Squirrel Cage Inverter Duty	Starting Method	Inverter Only
Poles	6	Rotation	Reversible
Resistance Main	.013 Ohms	Mounting	Rigid Base
Motor Orientation	Horizontal	Drive End Bearing	Ball
Opp Drive End Bearing	Ball	Frame Material	Cast Iron
Shaft Type	L	Assembly/Box Mounting	F1/F2 CAPABLE
Outline Drawing	B-SS553555-4950	Connection Drawing	A-EE7300LD

This is an uncontrolled document once printed or downloaded and is subject to change without notice. Date Created:08/24/2023



- NOTES:
 1. CONDUIT BOX CAN BE ROTATED IN 90° STEPS.
 2. NAMEPLATE TO BE READ FROM CONDUIT BOX SIDE OF MOTOR.
 3. MOTOR WEIGHT (MAXIMUM) = LBS
 4. DIMENSIONS IN [] ARE IN MILLIMETERS.

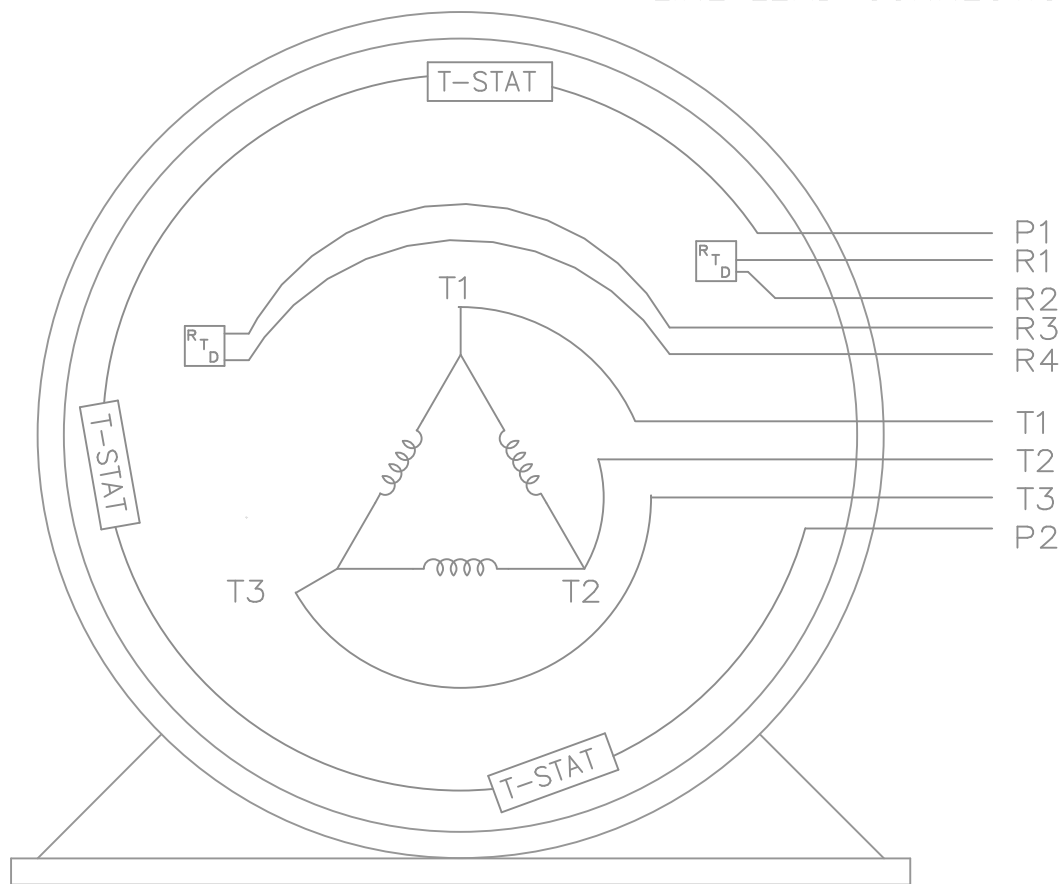
DASH	FRAME	B	C	2F	2XF	2XXF	2XXXF
4950	5009L	45.05 [1144]	88.42 [2246]	28.00 [711]			
4950	5010L	45.05 [1144]	88.42 [2246]		32.00 [813]		
4950	5011L	45.05 [1144]	88.42 [2246]			36.00 [914]	
4950	5012L	45.05 [1144]	88.42 [2246]				40.00 [1016]

TOLERANCES UNLESS SPECIFIED			DRAWN	CTO 03-18-2009
DEC	INCHES		CHK	MH 04-17-2009
x	±.1	TITLE	OUTLINE - AXIAL BLOWER	
.xx	±.03		APPR	MJS 04-17-2009
.xxx	±.005		SCALE	1:10.5
.xxxX	±.0005	MATL	REF	
NO	REVISION	BY & DATE	FMF	MU90231
1	CORRECTED B DIM. & REMOVED BS COL. FROM TABLE	JJB 04/02/2009	PAGE	OF
	THIRD ANGLE PROJECTION	CHK	ANG	±7'30"
		RFP	04-17-2009	PREV
		NETWORK FILE NAME	SS553555	
		SIZE	DRAWING NO	REV
		B	SS553555	1

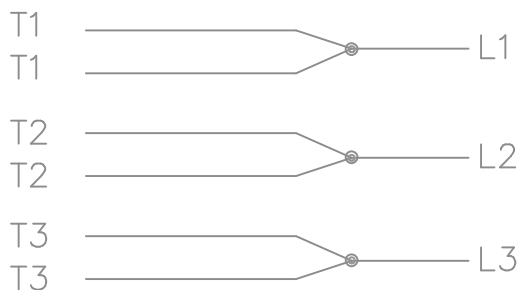
THREE PHASE – SINGLE VOLTAGE
MOTOR OR INDUCTION GENERATOR

- 2 RTD'S
- 1 MARKED R1-R2,
- 1 MARKED R3-R4

TO REVERSE ROTATION:
INTERCHANGE ANY TWO
LINE LEAD CONNECTIONS.



IF MOTOR HAS MULTIPLE
T'S PER LEAD CONNECT
TOGETHER LIKE T'S



A-9806 DECAL

VIEW OF TERMINAL END

				TOLERANCES UNLESS SPECIFIED			DRAWN RJW 11-06-2006			
				DEC.	INCHES		CHK ML 11-06-2006			
				.X	±.1		APPD EAB 11-06-2006			
				.XX	±.02		SCALE 1=1			
				.XXX	±.005		REF			
				.XXXX	±.0005	FMF MU76188				
NO.	REVISION	BY & DATE	CHK	ANG	±7'30"	FINISH			PREV	
THIS DRAWING IN DESIGN AND DETAIL IS OUR PROPERTY AND MUST NOT BE USED EXCEPT IN CONNECTION WITH OUR WORK ALL RIGHTS OF DESIGN AND INVENTION ARE RESERVED THIS IS AN ELECTRONICALLY GENERATED DOCUMENT – DO NOT SCALE THIS PRINT				RFP	11-06-2006	CAD FILE EE7300LD		SIZE	DRAWING NO. PAGE OF	REV.
				DIST	WA			A	EE7300LD	