

PRODUCT INFORMATION PACKET

marathon®
Motors

Model No: 5011LHFS18534
Catalog No: 5011LHFS18534
400,1470,TEBC,5011L,3/49/690

Regal and Marathon are trademarks of Regal Rexnord Corporation or one of its affiliated companies.
©2023 Regal Rexnord Corporation, All Rights Reserved. MC017097E

RegalRexnord

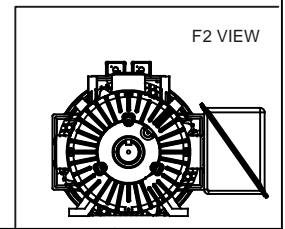
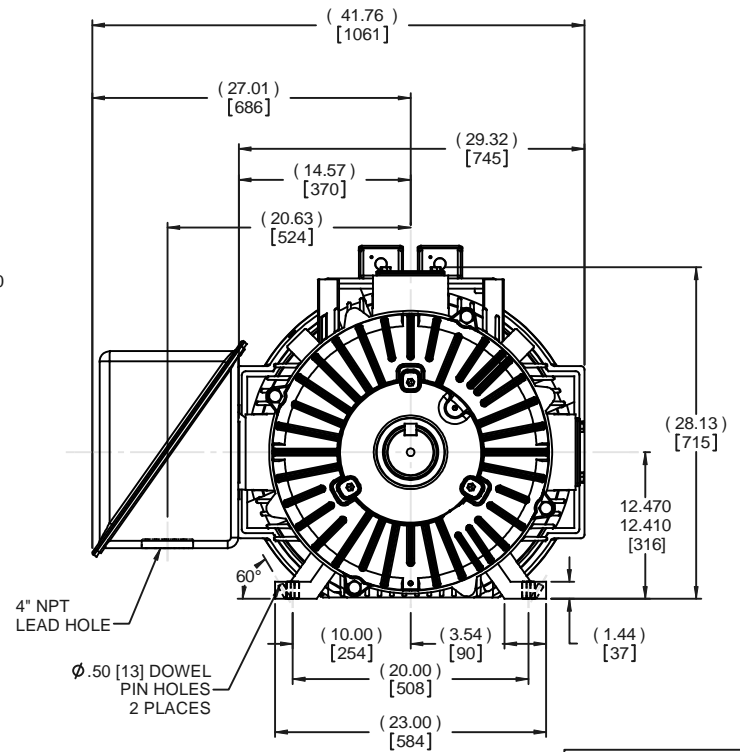
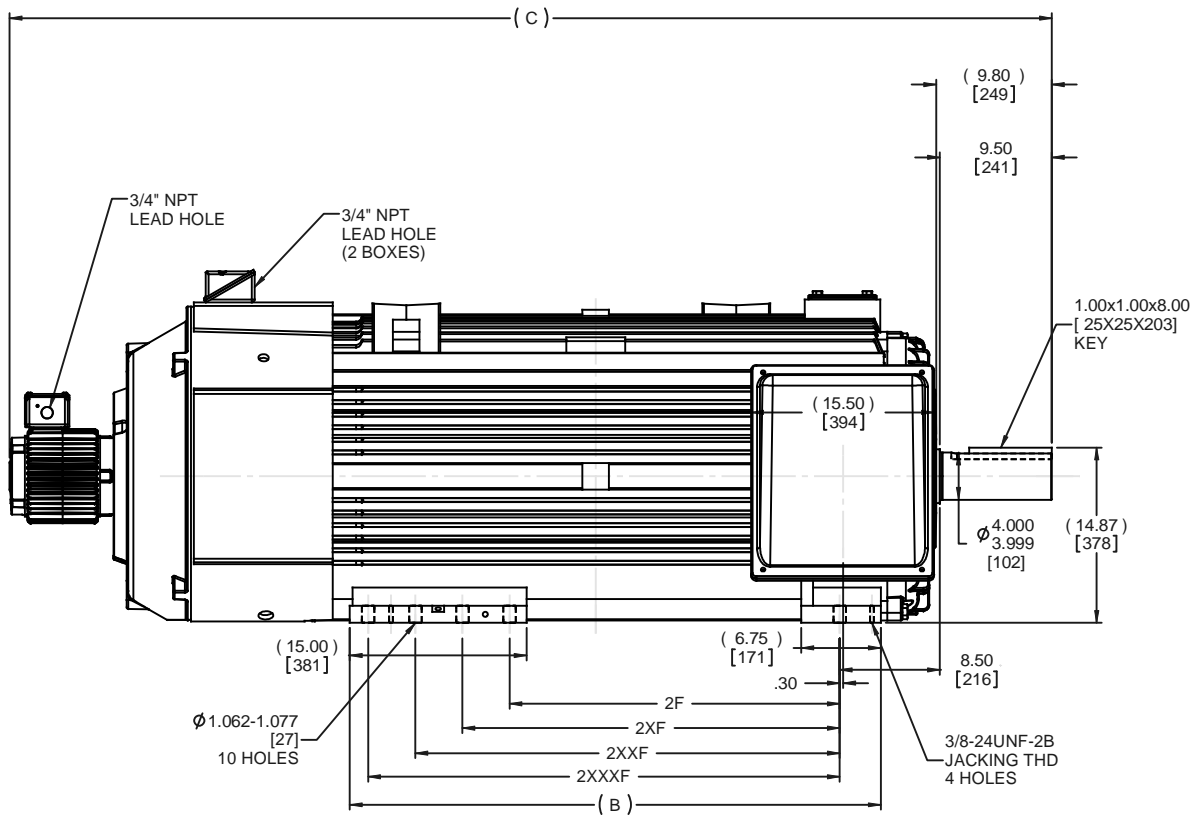
Nameplate Specifications

Phase	3	Output HP	400 Hp
Output KW	300.0 kW	Voltage	690 V
Speed	1458 rpm	Service Factor	1
Frame	5011L	Enclosure	TEBC
Thermal Protection	Thermostat	Efficiency	95.8 %
Ambient Temperature	40 °C	Frequency	49 Hz
Current	297.0 A	Power Factor	87
Duty	Continuous	Insulation Class	H
Design Code	A	KVA Code	G
Drive End Bearing Size	6324	Opp Drive End Bearing Size	6318
UL	No	CSA	Y
CE	N	IP Code	54
Number of Speeds	1		

Technical Specifications

Electrical Type	Squirrel Cage Inverter Duty	Starting Method	Inverter Only
Poles	4	Rotation	Reversible
Resistance Main	.0042 Ohms	Mounting	Rigid Base
Motor Orientation	Horizontal	Drive End Bearing	Ball
Opp Drive End Bearing	Ball	Frame Material	Cast Iron
Shaft Type	L	Assembly/Box Mounting	F2/F1 CAPABLE
Outline Drawing	B-SS553555-4950	Connection Drawing	A-EE7300LE

This is an uncontrolled document once printed or downloaded and is subject to change without notice. Date Created:08/24/2023



- NOTES:
 1. CONDUIT BOX CAN BE ROTATED IN 90° STEPS.
 2. NAMEPLATE TO BE READ FROM CONDUIT BOX SIDE OF MOTOR.
 3. MOTOR WEIGHT (MAXIMUM) = LBS
 4. DIMENSIONS IN [] ARE IN MILLIMETERS.

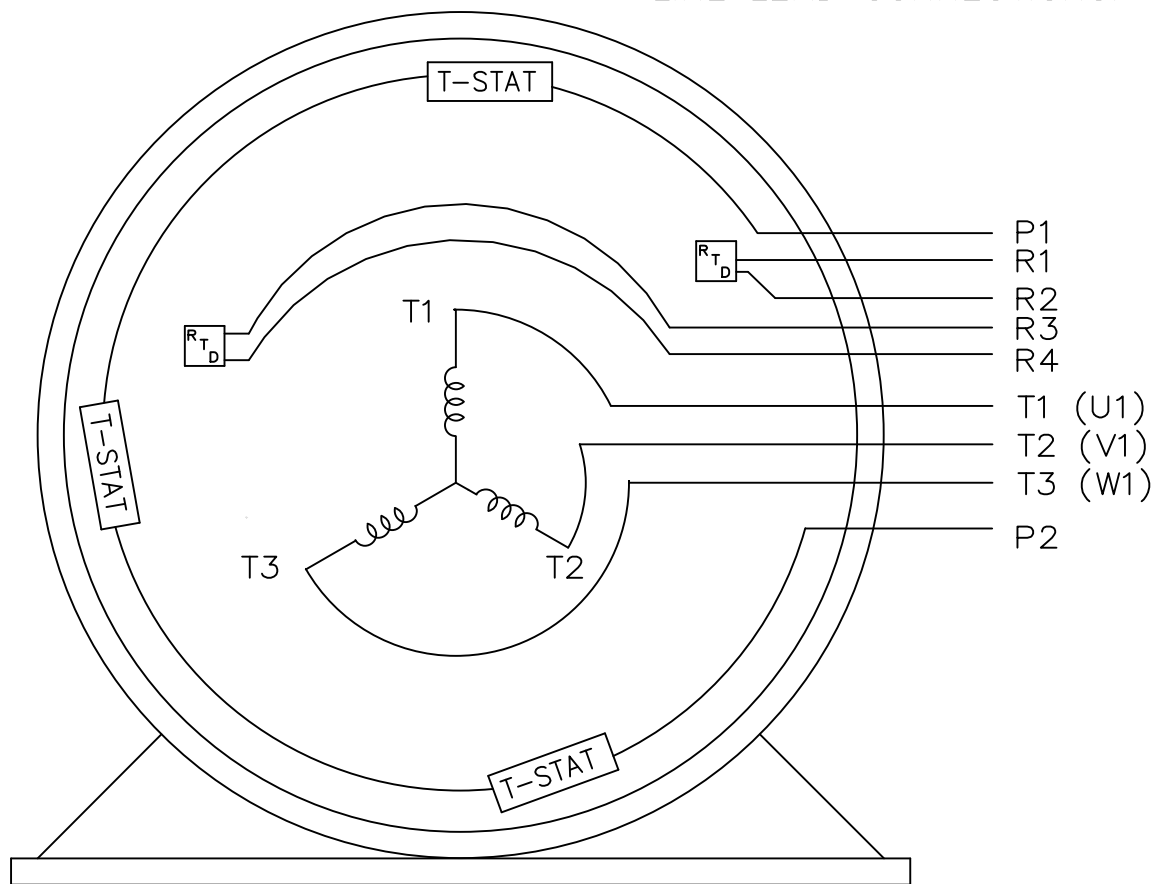
DASH	FRAME	B	C	2F	2XF	2XXF	2XXXF
4950	5009L	45.05 [1144]	88.42 [2246]	28.00 [711]			
4950	5010L	45.05 [1144]	88.42 [2246]		32.00 [813]		
4950	5011L	45.05 [1144]	88.42 [2246]			36.00 [914]	
4950	5012L	45.05 [1144]	88.42 [2246]				40.00 [1016]

TOLERANCES UNLESS SPECIFIED:			DRAWN	CTO 03-18-2009
DEC	INCHES		CHK	MH 04-17-2009
x	±.1	TITLE	OUTLINE - AXIAL BLOWER	
.xx	±.03	5009-5012L FR. - F1/F2/F3 MT.	APPR	MJS 04-17-2009
.xxx	±.005		SCALE	1:10.5
.xxxX	±.0005	MATL	REF	
NO	REVISION	BY & DATE	FMF	MU90231
	1	CORRECTED B DIM. & REMOVED BS COL. FROM TABLE	JJB	04/02/2009
			CHK	ANG ±7'30"
			RFP	04-17-2009
			PREV	
			NETWORK FILE NAME	SS553555
			SIZE	DRAWING NO
			B	SS553555
			REV	1

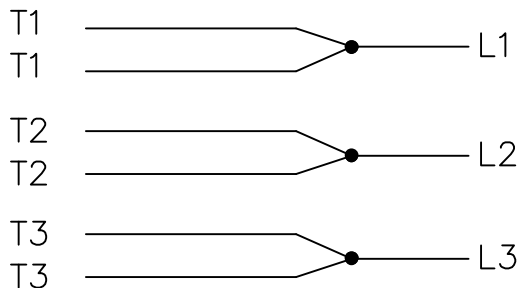
THREE PHASE – SINGLE VOLTAGE
MOTOR OR INDUCTION GENERATOR

- 2 RTD'S
- 1 MARKED R1-R2,
- 1 MARKED R3-R4

TO REVERSE ROTATION:
INTERCHANGE ANY TWO
LINE LEAD CONNECTIONS.




IF MOTOR HAS MULTIPLE
T'S PER LEAD CONNECT
TOGETHER LIKE T'S



A-9806 DECAL

VIEW OF TERMINAL END

				TOLERANCES UNLESS SPECIFIED			DRAWN RJW 11-09-2006			
				DEC.	INCHES		CHK ML 11-09-2006			
				.X	±.1		APPD EAB 11-09-2006			
				.XX	±.02		SCALE			
				.XXX	±.005		REF			
1	ADDED (U1, V1 & W1) TO LEADS	RJW 08-23-07	ML	.XXXX	±.0005	TITLE CONNECTION DIAGRAM – EXTERNAL SINGLE VOLTAGE 3Ø MOTOR		FMF		
NO.	REVISION	BY & DATE	CHK	ANG	±7'30"	FINISH		PREV		
THIS DRAWING IN DESIGN AND DETAIL IS OUR PROPERTY AND MUST NOT BE USED EXCEPT IN CONNECTION WITH OUR WORK ALL RIGHTS OF DESIGN AND INVENTION ARE RESERVED THIS IS AN ELECTRONICALLY GENERATED DOCUMENT – DO NOT SCALE THIS PRINT				RFP	11-09-2006	CAD FILE	EE7300LE	SIZE A	DRAWING NO. EE7300LE	REV. 1
				DIST	WA					