

# PRODUCT INFORMATION PACKET

**marathon**<sup>®</sup>  
Motors

Model No: 450HFC7076  
Catalog No: 450HFC7076  
800,1200,TEBC,450,3/60/460 LVX-450-6-800HP

Regal and Marathon are trademarks of Regal Rexnord Corporation or one of its affiliated companies.  
©2023 Regal Rexnord Corporation, All Rights Reserved. MC017097E

The logo for Regal Rexnord, featuring a stylized 'R' icon followed by the text 'RegalRexnord'.

## Nameplate Specifications

## Technical Specifications

Connection Drawing

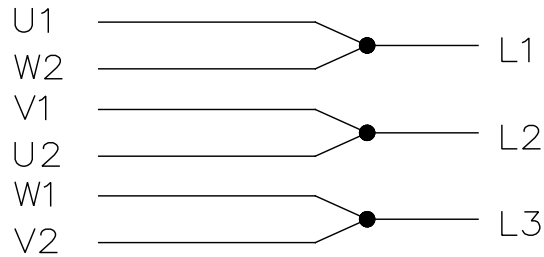
EE7340AN

Outline Drawing

0245001303

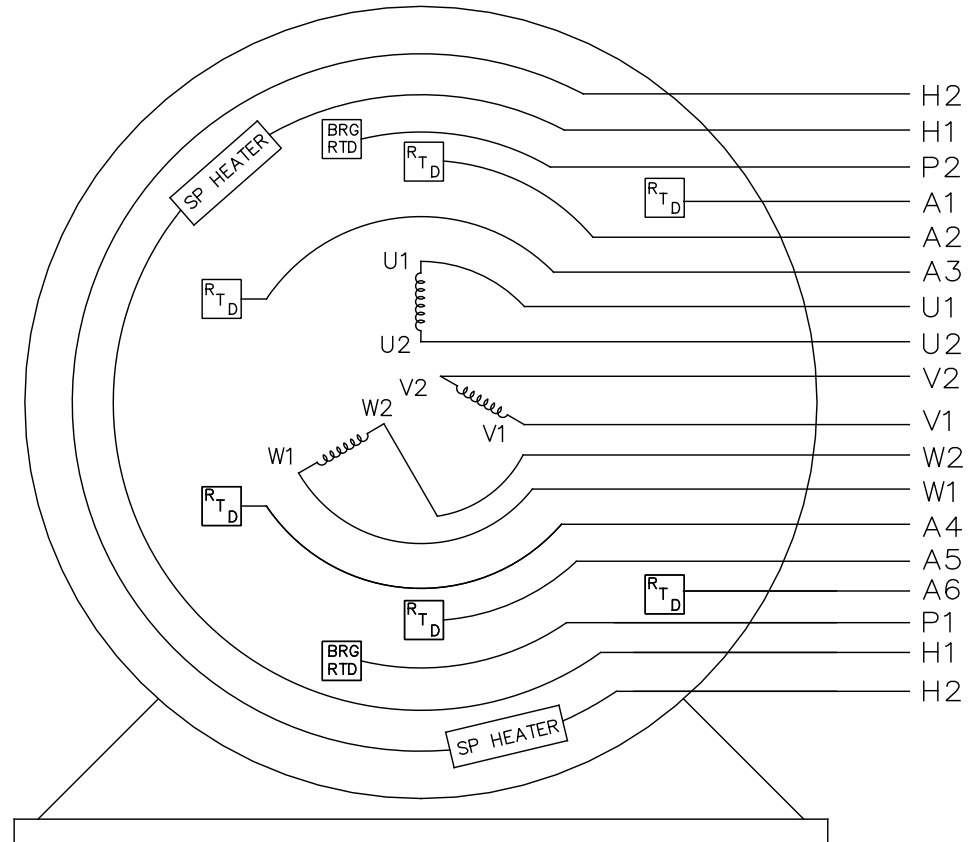
---

This is an uncontrolled document once printed or downloaded and is subject to change without notice. Date Created:01/07/2023

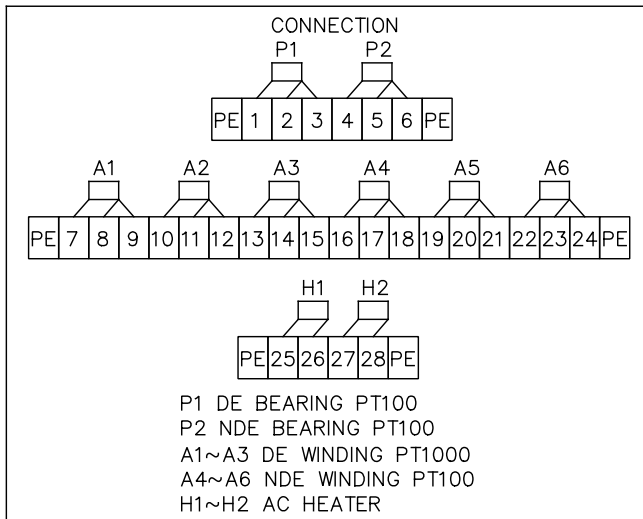



THREE PHASE-SINGLE VOLTAGE MOTOR OR INDUCTION GENERATOR WITH 6 RTD'S, 2 PER PHASE MARKED A1 THRU A6, AND 2 BRG. RTD'S, MARKED P1 AND P2, AND 2 SPACE HEATERS, MARKED H1 AND H2.

NOTE:  
WHEN MORE THAN ONE HEATER IS USED, HEATERS MUST BE CONNECTED IN PARALLEL.



VIEW OF TERMINAL END



				TOLERANCES UNLESS SPECIFIED		 <b>REGAL - BELOIT CORPORATION</b>		DRAWN WGJ 02-24-2017			
				DEC.	INCHES			CHK			
				.X	±.1	APPD AB 02-24-2017					
				.XX	±.02	TITLE CONNECTION DIAGRAM	SCALE 1=1				
				.XXX	±.005	3Ø DELTA RUN	REF				
A	RELEASE FOR PRODUCTION	ECO-0118907	WGJ 2/24/2017	AB	.XXXX ±.0005	MAT'L.	FMF				
NO.	REVISION	BY & DATE	CHK	ANG	±7'30"	FINISH	PREV				
THIS DRAWING IN DESIGN AND DETAIL IS OUR PROPERTY AND MUST NOT BE USED EXCEPT IN CONNECTION WITH OUR WORK ALL RIGHTS OF DESIGN AND INVENTION ARE RESERVED THIS IS AN ELECTRONICALLY GENERATED DOCUMENT - DO NOT SCALE THIS PRINT						RFP	CAD FILE EE7340AM	SIZE A	DRAWING NO. EE7340AN	PAGE OF	REV. A
						DIST					