

# PRODUCT INFORMATION PACKET

**marathon**<sup>®</sup>  
Motors

Model No: 449TTGS7037

Catalog No: H503

Explosion Proof Motor, 300 & 250 HP, 3 Ph, 60 & 50 Hz, 460 & 380 V, 1800 & 1500 RPM,  
447/449T Frame, EPFC

Regal and Marathon are trademarks of Regal Rexnord Corporation or one of its affiliated companies.

©2023 Regal Rexnord Corporation, All Rights Reserved. MC017097E

The logo for Regal Rexnord, featuring a stylized 'R' icon followed by the text 'RegalRexnord'.

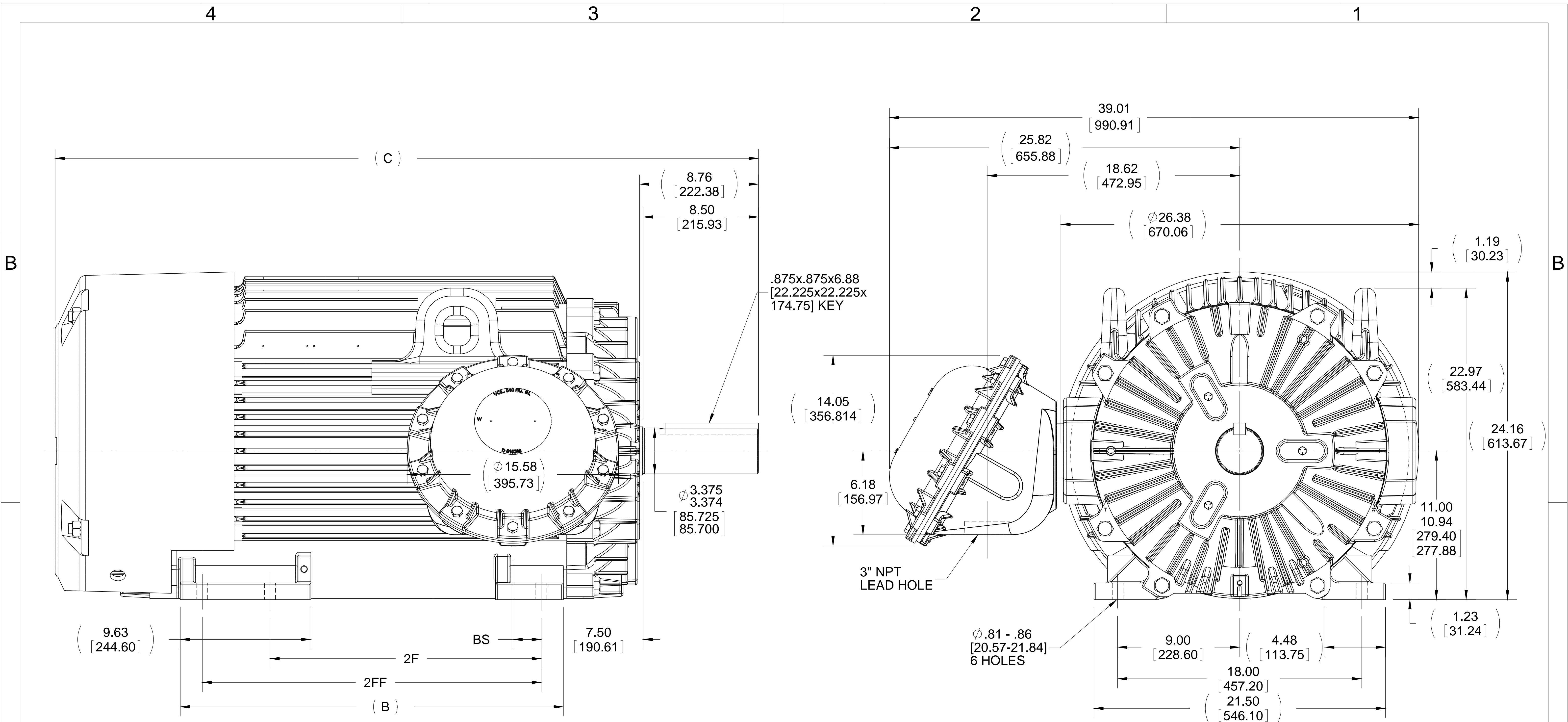
### Nameplate Specifications

Phase	<b>3</b>	Output HP	<b>300 &amp; 250 Hp</b>
Output KW	<b>224.0 &amp; 187.0 kW</b>	Voltage	<b>460 &amp; 380 V</b>
Speed	<b>1785 &amp; 1485 rpm</b>	Service Factor	<b>1.0 &amp; 1.0</b>
Frame	<b>447/449T</b>	Enclosure	<b>Explosion Proof Fan cooled</b>
Thermal Protection	<b>Thermostat</b>	Efficiency	<b>95.4 &amp; 95 %</b>
Ambient Temperature	<b>40 °C</b>	Frequency	<b>60 &amp; 50 Hz</b>
Current	<b>338 &amp; 342 A</b>	Power Factor	<b>87</b>
Duty	<b>Continuous</b>	Insulation Class	<b>F</b>
Design Code	<b>B</b>	KVA Code	<b>G</b>
Drive End Bearing Size	<b>NU319</b>	Opp Drive End Bearing Size	<b>6318</b>
UL	<b>UL Listed; also, UL Certified for Canada</b>	CSA	<b>N</b>
CE	<b>N</b>	IP Code	<b>54</b>
Number of Speeds	<b>1</b>	Hazardous Location	<b>EXP PROOF CL I GR C&amp;D CL II GR F&amp;G T3B</b>

### Technical Specifications

Electrical Type	<b>Squirrel Cage Inverter Rated</b>	Starting Method	<b>Part Wdg Start &amp; Wye Start Delta Run Or Inverter</b>
Poles	<b>4</b>	Rotation	<b>Reversible</b>
Resistance Main	<b>.0085 Ohms</b>	Mounting	<b>Rigid Base</b>
Motor Orientation	<b>Horizontal</b>	Drive End Bearing	<b>Roller</b>
Opp Drive End Bearing	<b>Ball</b>	Frame Material	<b>Cast Iron</b>
Shaft Type	<b>T</b>	Overall Length	<b>51.85 in</b>
Frame Length	<b>28.75 in</b>	Shaft Diameter	<b>3.375 in</b>
Shaft Extension	<b>8.76 in</b>	Assembly/Box Mounting	<b>F1 ONLY</b>
Inverter Load	<b>CONSTANT 2:1</b>		
Outline Drawing	<b>B-SS515578-2875</b>	Connection Drawing	<b>A-EE7300CB</b>





NOTES:  
 1. CONDUIT BOX CAN ONLY BE ROTATED CLOCKWISE UP TO 270° FROM ITS ORIGINAL POSITION.  
 2. NAMEPLATES TO BE READ FROM CONDUIT BOX SIDE OF MOTOR.

DASH	FRAME	B	C	2F	2FF	BS
2875	447T	28.25 [717.55]	51.85 [1316.99]	20.00 [508.00]	-----	2.09 [53.09]
2875	449T	28.25 [717.55]	51.85 [1316.99]	-----	25.00 [635.00]	2.09 [53.09]

DRAWING REVISION C	REVISION BY AJW	DATE 03-31-2015
ECO ECO-0074730	APPROVED BY TDB	DATE 04-01-2015
ECO DESCRIPTION UPDATED TO CURRENT STANDARDS		
<small>COPYRIGHT REGAL BELOIT AMERICA, INC. ALL RIGHTS RESERVED. PROPRIETARY AND CONFIDENTIAL INFORMATION - THIS DOCUMENT IS THE PROPERTY OF REGAL BELOIT AMERICA, INC. ("OWNER") AND CONTAINS OWNER'S PROPRIETARY INFORMATION. ANY PERSON, CORPORATION OR OTHER FIRM RECEIVING IT IS DEEMED, BY RECEIVING IT, TO AGREE THAT IT, AND/OR ANY PART OF IT, SHALL NOT BE DISCLOSED TO ANY PERSON, CORPORATION OR OTHER ENTITY, DUPLICATED, AND/OR USED, EXCEPT AS EXPRESSLY APPROVED IN WRITING IN ADVANCE BY OWNER. THIS DOCUMENT SHALL BE RETURNED TO OWNER UPON REQUEST. IT MAY BE SUBJECT TO CERTAIN RESTRICTIONS UNDER APPLICABLE EXPORT CONTROL LAWS AND REGULATIONS.</small>		

TOLERANCES UNLESS OTHERWISE SPECIFIED:			
DEC.	INCH	mm	ANGLE
.X	±0.1	[±2.5]	±7' 30"
.XX	±0.03	[±0.76]	
.XXX	±0.005	[±0.127]	
.XXXX	±0.0005	[±0.0127]	
REMOVE BURRS & BREAK SHARP EDGES: .003/.015 [0.076/.381] X 45°			
CORNER FILLETS: R.02 [51]			
MACHINED SURFACES: 200 INCH/mm 5.1			
mm SHOWN IN [BRACKETS]			

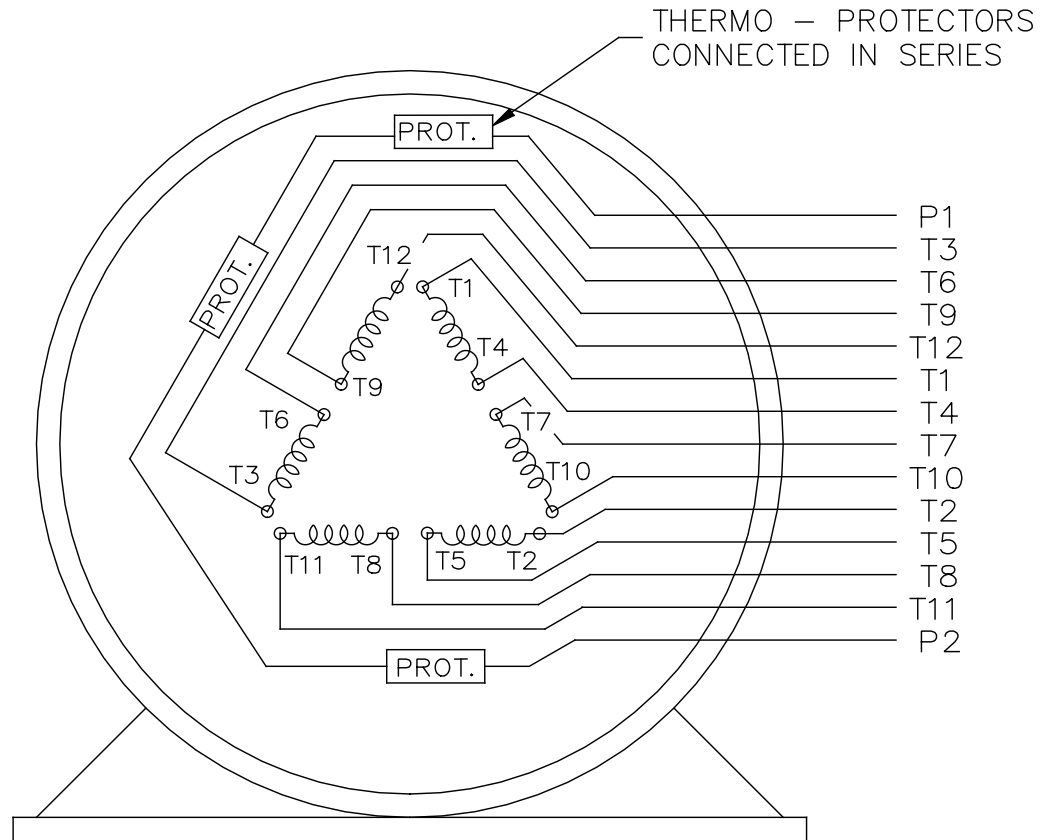
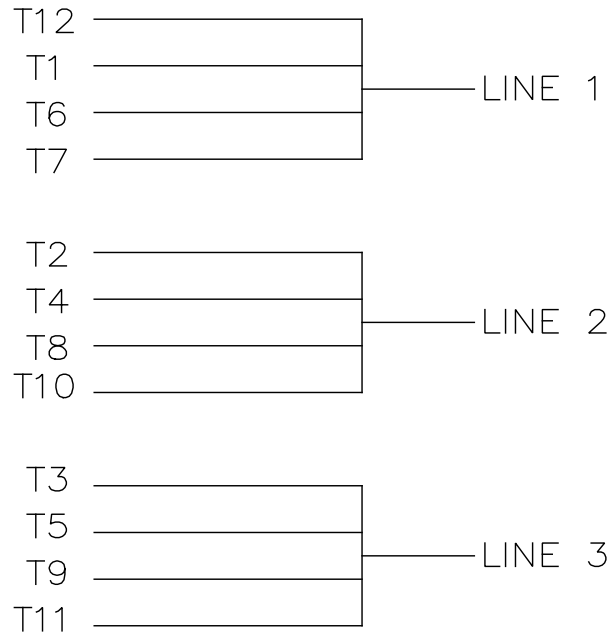
DRAWN BY SMC
DATE 04-15-1996
APPROVED BY JPN
DATE 04-19-1996
REFERENCE
THIRD ANGLE PROJECTION

**REGAL**™ Regal Beloit America, Inc.

DESCRIPTION  
**OUTLINE**  
447/449T FR. -EXP. PR. - STD.

MATERIAL PROCESS/FINISH

SIZE **B** DRAWING NUMBER **SS515578** SHEET 1 OF 1



VIEW OF TERMINAL END

				TOLERANCES UNLESS SPECIFIED		REGAL REGAL - BELOIT CORPORATION	DRAWN KL 02-27-2003				
				DEC.	INCHES		CHK GFH 03-03-2003				
				.X	± -		APPD JES 03-03-2003				
				.XX	± -	TITLE CONNECTION DIAGRAM - EXTERNAL	SCALE 1=1				
				.XXX	± -	12 LEAD SINGLE VOLTAGE	REF				
A	CHANGED TO REGAL TITLEBLOCK ECO-0108299	WGJ 08-18-2016	EMH	.XXXX	± -	MAT'L.	FMF				
NO.	REVISION	BY & DATE	CHK	ANG	± -	FINISH	PREV				
THIS DRAWING IN DESIGN AND DETAIL IS OUR PROPERTY AND MUST NOT BE USED EXCEPT IN CONNECTION WITH OUR WORK ALL RIGHTS OF DESIGN AND INVENTION ARE RESERVED THIS IS AN ELECTRONICALLY GENERATED DOCUMENT - DO NOT SCALE THIS PRINT						RFP	CAD FILE EE7300CB	SIZE A	DRAWING NO. EE7300CB	PAGE OF	REV.
						DIST					