

PRODUCT INFORMATION PACKET

Model No: 5010SVDSL16001

Catalog No: Y9112

Endurance Series® MODEL-IHP, 600HP,2P,ODP,5010S,3/60/2300/4000-4160,CW/DE,120VSH,WRTD-SH,BRTD PROV



Regal and Marathon are trademarks of Regal Rexnord Corporation or one of its affiliated companies.

©2023 Regal Rexnord Corporation, All Rights Reserved. MC017097E

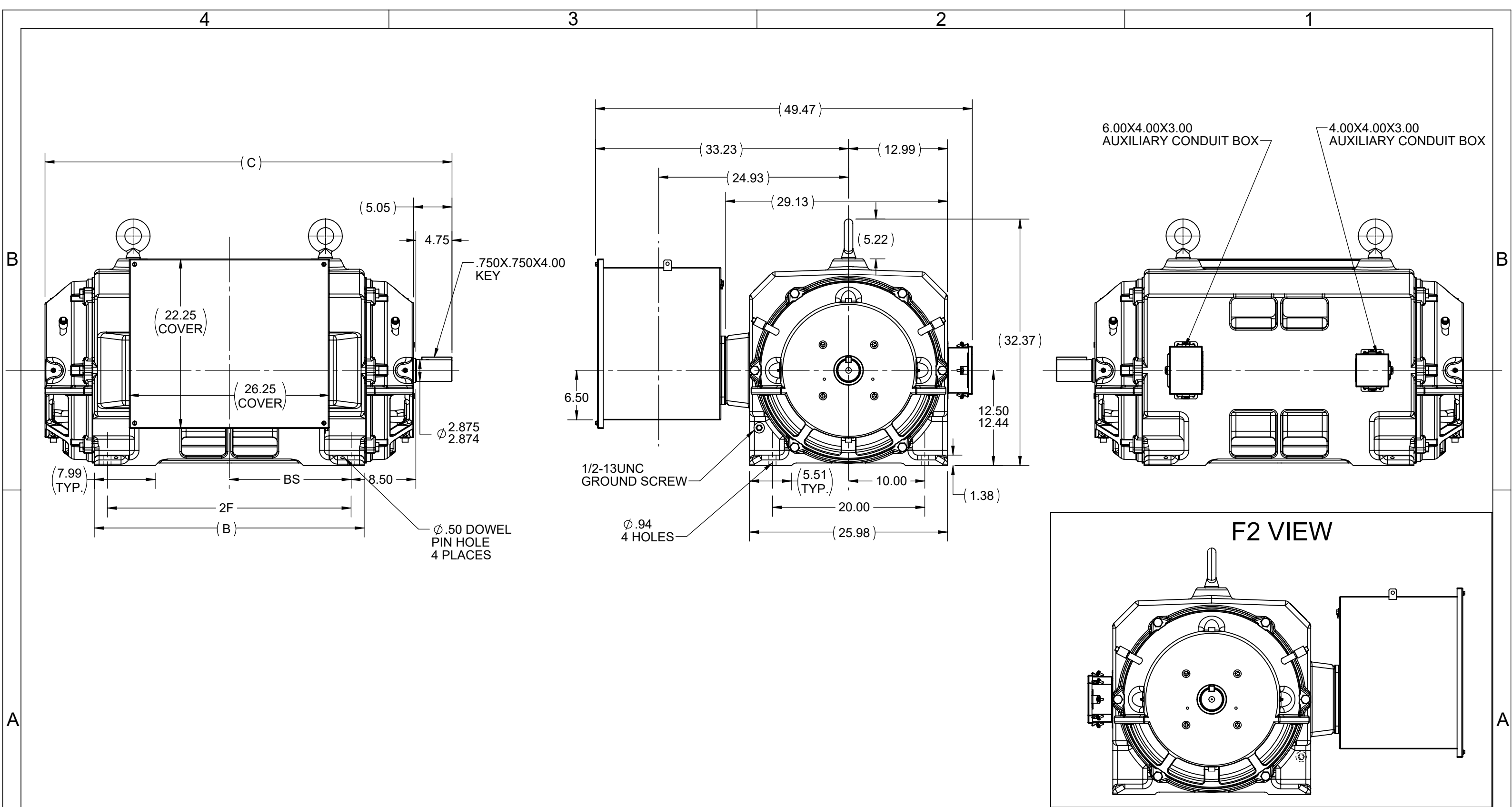
Nameplate Specifications

| | | | |
|------------------------|--------------------------|----------------------------|-------------------------|
| Output HP | 600 Hp | Output KW | 450.0 kW |
| Frequency | 60 Hz | Voltage | 2300/4000-4160 V |
| Current | 130.0/75.0-71.0 A | Speed | 3578 rpm |
| Service Factor | 1.15 | Phase | 3 |
| Efficiency | 95.4 % | Power Factor | 91.5 |
| Duty | Continuous | Insulation Class | F |
| Design Code | B | KVA Code | G |
| Frame | 5010S | Enclosure | Drip Proof |
| Thermal Protection | No Protection | Ambient Temperature | 40 °C |
| Drive End Bearing Size | 6316 | Opp Drive End Bearing Size | 6316 |
| UL | Recognized | CSA | Y |
| CE | N | IP Code | 23 |
| Number of Speeds | 1 | | |

Technical Specifications

| | | | |
|--------------------|----------------------------------|-----------------------|-------------------------------|
| Electrical Type | Bar Rotator Induction Run | Starting Method | Across The Line |
| Poles | 2 | Rotation | Fixed Counterclockwise |
| Mounting | Rigid Base | Motor Orientation | Horizontal |
| Drive End Bearing | Ball | Opp Drive End Bearing | Ball |
| Frame Material | Cast Iron | Shaft Type | S |
| Shaft Diameter | 2.875 in | Assembly/Box Mounting | F1/F2 CAPABLE |
| Connection Drawing | EE7304AC | Outline Drawing | MCA8250 |

This is an uncontrolled document once printed or downloaded and is subject to change without notice. Date Created:03/13/2023



NOTES:
 1. CONDUIT BOX CAN BE MOUNTED ON OPPOSITE SIDE BY REMOVING BRACKETS AND TURNING FRAME 180°.
 2. NAMEPLATES TO BE READ FROM CONDUIT BOX SIDE OF MOTOR.

| FRAME | B | C | 2F | BS |
|-------|-------|-------|-------|-------|
| 5008S | 28.42 | 46.50 | 25.00 | 12.50 |
| 5010S | 35.43 | 53.50 | 32.00 | 16.00 |

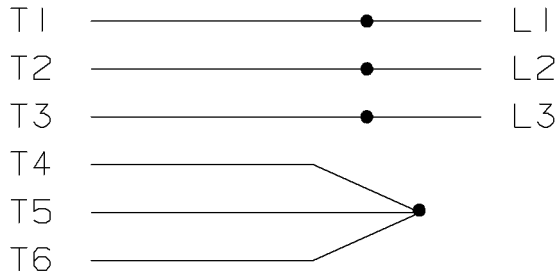
| DRAWING REVISION | REVISION BY | REV DATE/© DATE |
|---|-------------|-----------------|
| C | AKSHAY | 11-02-2021 |
| ECO | APPROVED BY | DATE |
| NMR-0210437 | | |
| ECO DESCRIPTION | | |
| SGR REMOVED | | |
| <small>COPYRIGHT (PER REVISION DATE) REGAL BELOIT AMERICA, INC. ALL RIGHTS RESERVED. PROPRIETARY AND CONFIDENTIAL INFORMATION - THIS DOCUMENT IS THE PROPERTY OF REGAL BELOIT AMERICA, INC. ("OWNER") AND CONTAINS OWNER'S PROPRIETARY INFORMATION. ANY PERSON, CORPORATION OR OTHER FIRM RECEIVING IT IS DEEMED, BY RECEIVING IT, TO AGREE THAT IT, AND/OR ANY PART OF IT, SHALL NOT BE DISCLOSED TO ANY PERSON, CORPORATION OR OTHER ENTITY, DUPLICATED, AND/OR USED, EXCEPT AS EXPRESSLY APPROVED IN WRITING IN ADVANCE BY OWNER. THIS DOCUMENT SHALL BE RETURNED TO OWNER UPON REQUEST. IT MAY BE SUBJECT TO CERTAIN RESTRICTIONS UNDER APPLICABLE EXPORT CONTROL LAWS AND REGULATIONS.</small> | | |

| TOLERANCES (EXCEPT AS NOTED): | | | |
|---|---------|----------|-------|
| DEC. | INCH | mm | ANGLE |
| .X | ±0.1 | [±3] | ±0.5° |
| .XX | ±0.01 | [±0.3] | |
| .XXX | ±0.005 | [±0.13] | |
| .XXXX | ±0.0005 | [±0.013] | |
| REMOVE BURRS & BREAK SHARP EDGES: .003/.015 [.08/.38] X 45° | | | |
| CORNER FILLETS: R.02 [.5] | | | |
| MACHINED SURFACES: 125/3.2 INCH/mm | | | |
| mm DIMENSIONS IN [BRACKETS] ARE FOR REFERENCE ONLY | | | |

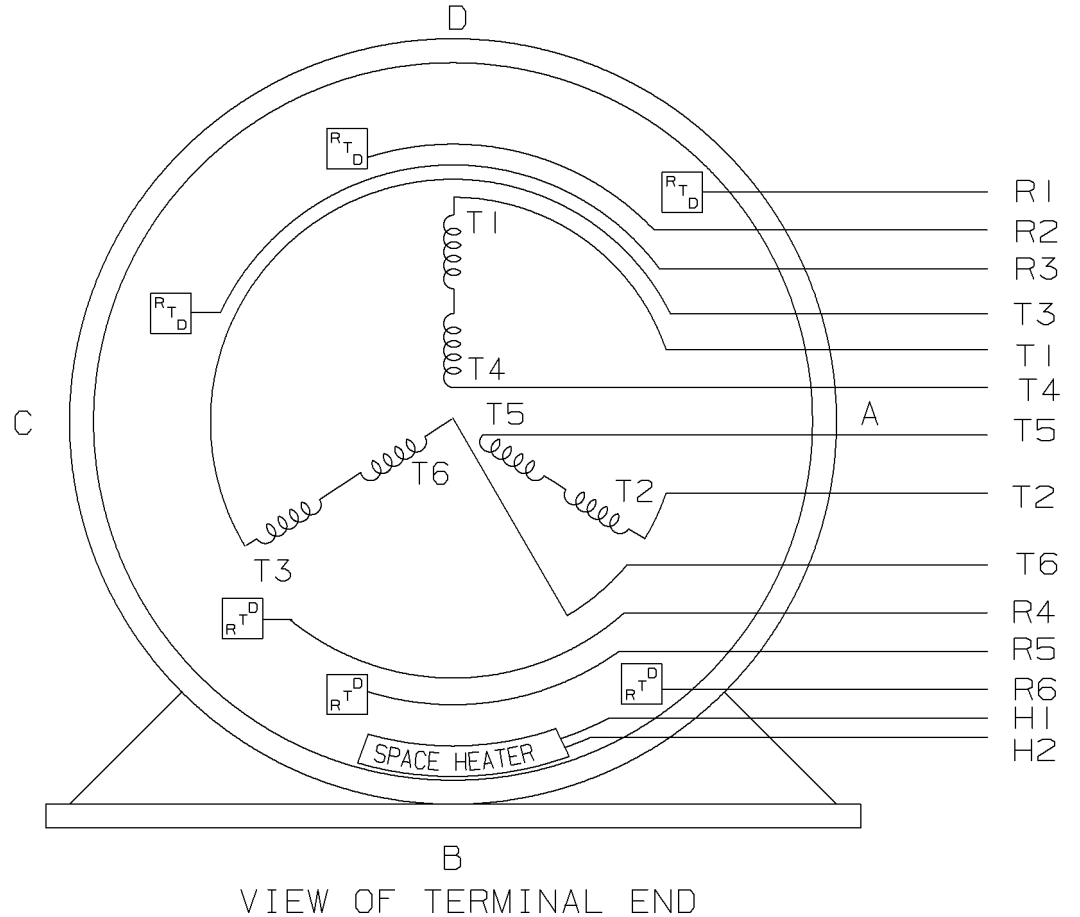
| DRAWN BY | DATE |
|-------------|------------------------|
| DS | 06/10/2019 |
| APPROVED BY | DATE |
| MILES | 06/10/2019 |
| REFERENCE | THIRD ANGLE PROJECTION |
| MCA8255 | |

| REGAL® Regal Beloit America, Inc. | |
|-----------------------------------|----------------|
| DESCRIPTION | PROCESS/FINISH |
| OUTLINE | |
| 5000S FR-ODP | |
| SIZE | DRAWING NUMBER |
| B | MCA8250 |
| SHEET | 1 OF 1 |

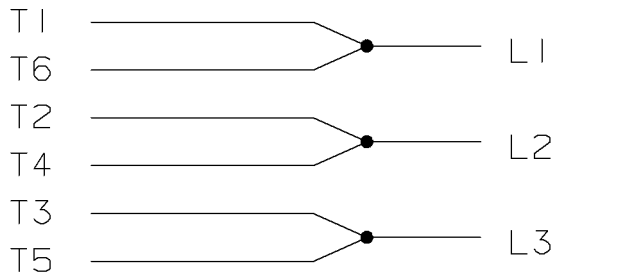
HIGH VOLTAGE
"Y" CONNECTION



THREE PHASE - DUAL VOLTAGE
WITH 6 RTD'S 2 PER PHASE AND SPACE HEATER



LOW VOLTAGE - DELTA



VIEW OF TERMINAL END

| | | | | | | | |
|-----|------|-------------|----------|--|---|--|---------------------------------------|
| | | | | <input checked="" type="checkbox"/> MAX. SURFACE ROUGHNESS UNLESS NOTED OTHERWISE | UNLESS OTHERWISE SPECIFIED DIMENSIONS ARE IN INCHES TOL. ON XX± XXX±.005 XXXX±.0005 ANGLES± | | |
| | | | | MATL SPEC | | | DRAWN BY CAE 05-07-1999 CHKD BY |
| | | | | FINISH | MARATHON ELECTRIC WAUSAU, WISCONSIN 54401 | | APPD BY |
| I | | NEW DRAWING | MU 25017 | CAE | PART NAME CONNECTION DIAGRAM - THREE PHASE DUAL VOLTAGE 6 RTD'S & SPACE HEATER | | DRWG NO A-EE7304AC |
| REV | DATE | CHANGE | | NAME | | | |

SHOP BOOK

PURCHASED

DISTRIBUTION - WA - LB - WP - LM

CADD FILE NO.

EE7304AC

```
ERROR: syntaxerror  
OFFENDING COMMAND: --nostringval--
```

```
STACK:
```

```
-dictionary-  
-dictionary-  
/Pscript_WinNT_Compat  
-dictionary-
```