

PRODUCT INFORMATION PACKET

marathon[®]
Motors

Model No: 449TTGS4088

Catalog No: U091

Other Purpose Motor, 200 & 150 HP, 3 Ph, 60 & 50 Hz, 460 & 380 V, 1200 & 1000 RPM, 447/449T Frame,
EPFC

Regal and Marathon are trademarks of Regal Rexnord Corporation or one of its affiliated companies.

©2023 Regal Rexnord Corporation, All Rights Reserved. MC017097E

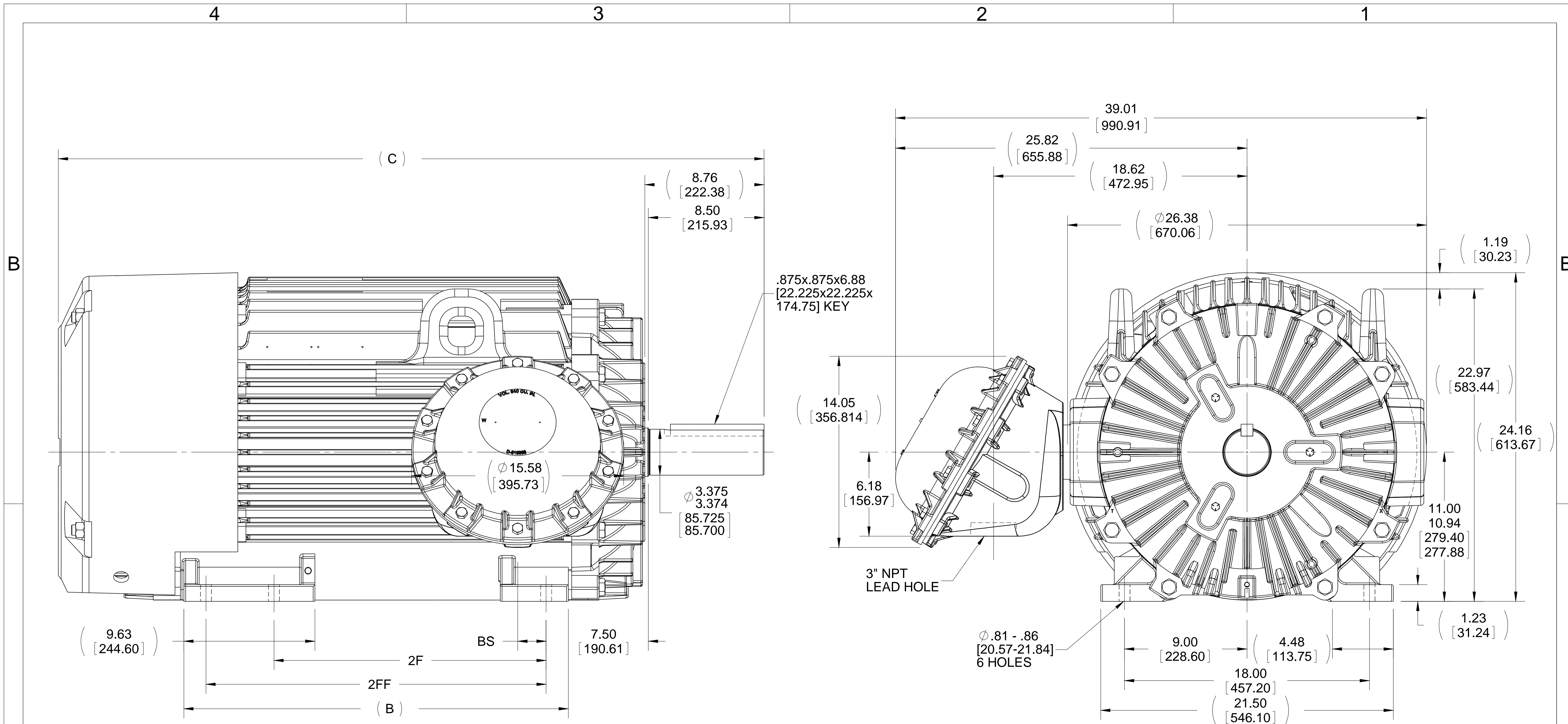
RegalRexnord

Nameplate Specifications

Phase	3	Output HP	200 & 150 Hp
Output KW	149.0 & 112.0 kW	Voltage	460 & 380 V
Speed	1190 & 990 rpm	Service Factor	1.15 & 1.15
Frame	447/449T	Enclosure	Explosion Proof Fan cooled
Thermal Protection	No Protection	Efficiency	95 & 94.5 %
Ambient Temperature	40 °C	Frequency	60 & 50 Hz
Current	243 & 222 A	Power Factor	81
Duty	Continuous	Insulation Class	F
Design Code	B	KVA Code	G
Drive End Bearing Size	NU319	Opp Drive End Bearing Size	6318
UL	UL Listed; also, UL Certified for Canada	CSA	N
CE	N	IP Code	54
Number of Speeds	1		

Technical Specifications

Electrical Type	Squirrel Cage Inverter Rated	Starting Method	Line Or Inverter
Poles	6	Rotation	Reversible
Resistance Main	.0185 Ohms	Mounting	Rigid Base
Motor Orientation	Horizontal	Drive End Bearing	Roller
Opp Drive End Bearing	Ball	Frame Material	Cast Iron
Shaft Type	T	Overall Length	51.85 in
Frame Length	28.75 in	Shaft Diameter	3.375 in
Shaft Extension	8.76 in	Assembly/Box Mounting	F1 ONLY
Outline Drawing	B-SS515578-2875	Connection Drawing	A-EE7300S



- NOTES:
 1. CONDUIT BOX CAN ONLY BE ROTATED CLOCKWISE UP TO 270° FROM ITS ORIGINAL POSITION.
 2. NAMEPLATES TO BE READ FROM CONDUIT BOX SIDE OF MOTOR.

DASH	FRAME	B	C	2F	2FF	BS
2875	447T	28.25 [717.55]	51.85 [1316.99]	20.00 [508.00]	-----	2.09 [53.09]
2875	449T	28.25 [717.55]	51.85 [1316.99]	-----	25.00 [635.00]	2.09 [53.09]

DRAWING REVISION C	REVISION BY AJW	DATE 03-31-2015
ECO ECO-0074730	APPROVED BY TDB	DATE 04-01-2015
ECO DESCRIPTION UPDATED TO CURRENT STANDARDS		
<small>COPYRIGHT REGAL BELOIT AMERICA, INC. ALL RIGHTS RESERVED. PROPRIETARY AND CONFIDENTIAL INFORMATION - THIS DOCUMENT IS THE PROPERTY OF REGAL BELOIT AMERICA, INC. ("OWNER") AND CONTAINS OWNER'S PROPRIETARY INFORMATION. ANY PERSON, CORPORATION OR OTHER FIRM RECEIVING IT IS DEEMED, BY RECEIVING IT, TO AGREE THAT IT, AND/OR ANY PART OF IT, SHALL NOT BE DISCLOSED TO ANY PERSON, CORPORATION OR OTHER ENTITY, DUPLICATED, AND/OR USED, EXCEPT AS EXPRESSLY APPROVED IN WRITING IN ADVANCE BY OWNER. THIS DOCUMENT SHALL BE RETURNED TO OWNER UPON REQUEST. IT MAY BE SUBJECT TO CERTAIN RESTRICTIONS UNDER APPLICABLE EXPORT CONTROL LAWS AND REGULATIONS.</small>		

TOLERANCES UNLESS OTHERWISE SPECIFIED:			
DEC.	INCH	mm	ANGLE
.X	±0.1	[±2.5]	±7° 30"
.XX	±0.03	[±0.76]	
.XXX	±0.005	[±0.127]	
.XXXX	±0.0005	[±0.0127]	
REMOVE BURRS & BREAK SHARP EDGES: .003/.015 [0.076/.381] X 45°			
CORNER FILLETS: R.02 [51]			
MACHINED SURFACES: 200 INCH/mm 5.1			
mm SHOWN IN [BRACKETS]			

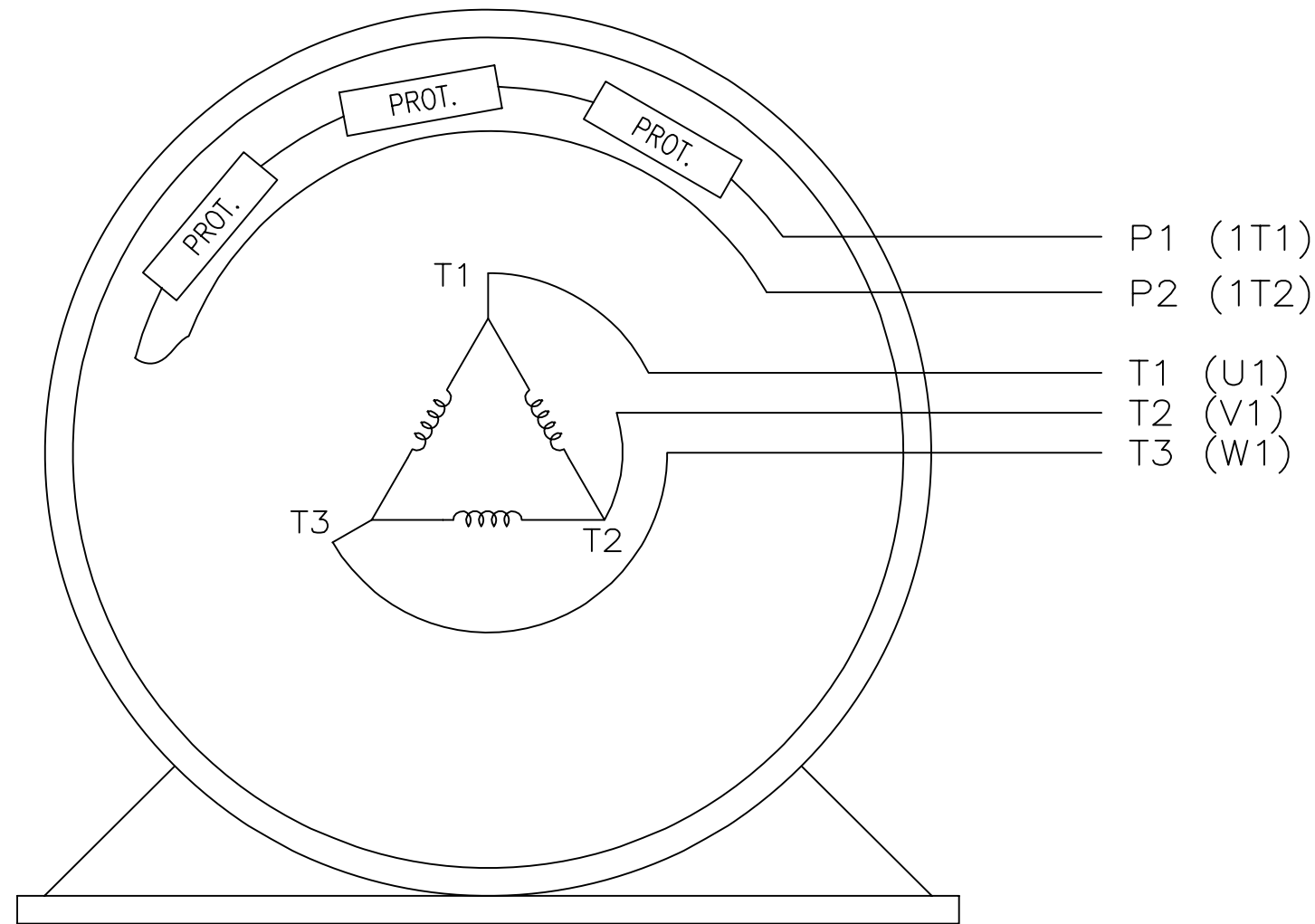
DRAWN BY SMC
DATE 04-15-1996
APPROVED BY JPN
DATE 04-19-1996
REFERENCE
THIRD ANGLE PROJECTION

REGAL ™ Regal Beloit America, Inc.	
DESCRIPTION OUTLINE 447/449T FR. -EXP. PR. - STD.	
MATERIAL	PROCESS/FINISH
SIZE B	DRAWING NUMBER SS515578
SHEET 1 OF 1	

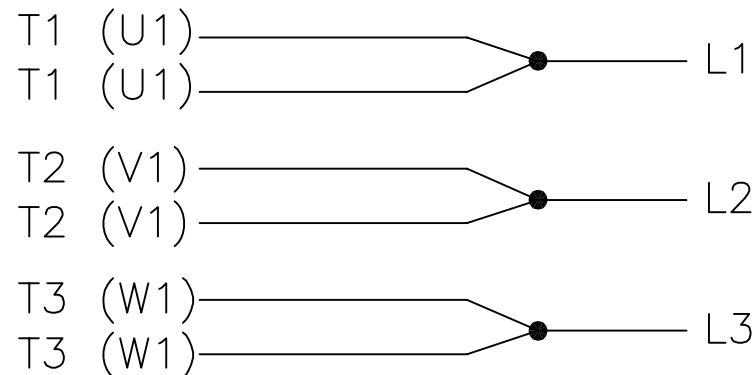
EE7300S

THREE PHASE – SINGLE VOLTAGE MOTOR

TO REVERSE ROTATION:
INTERCHANGE ANY TWO LINE
LEAD CONNECTIONS



IF MOTOR HAS MULTIPLE
T'S PER LEAD CONNECT
TOGETHER LIKE T'S



A-9806 DECAL

VIEW OF TERMINAL END

NO.	REVISION	BY & DATE	CHK	TOLERANCES UNLESS SPECIFIED			REGAL-BELOIT CORPORATION	DRAWN KL 12-15-1999
				DEC.	INCHES			
F	UPDATED TITLE BLOCK	HV 02-27-2014	EWB	.X	±	-	REGAL-BELOIT CORPORATION	CHK DJK 12-15-1999
3	REMOVED "N.C." FROM PROT.'S MU61770	JJB 08-02-2010		.XX	±	-	TITLE CONNECTION DIAGRAM – EXTERNAL SINGLE VOLTAGE 3Ø MOTOR	APPD DJK 12-15-1999
2	ADDED IEC MARKINGS MU61770	KL 09-16-2004	EAB	.XXX	±	-		SCALE 1=1
1	NEW DRAWING	KL 12-16-1999		.XXXX	±	-	MAT'L.	REF
				ANG	±	-	FINISH	FMF
			RFP				CAD FILE ee7300s	PREV
			DIST WA-LB-SB				SIZE A	DRAWING NO. EE7300S
								PAGE OF REV. F

THIS DRAWING IN DESIGN AND DETAIL IS OUR PROPERTY AND MUST NOT BE USED EXCEPT IN CONNECTION WITH OUR WORK ALL RIGHTS OF DESIGN AND INVENTION ARE RESERVED THIS IS AN ELECTRONICALLY GENERATED DOCUMENT – DO NOT SCALE THIS PRINT