

PRODUCT INFORMATION PACKET

marathon[®]
Motors

Model No: 449TTFS8086

Catalog No: L464

General Purpose Motor, 300 & 250 HP, 3 Ph, 60 & 50 Hz, 460 & 380 V, 1200 & 1000 RPM,
447/449T Frame, TEFC

Regal and Marathon are trademarks of Regal Rexnord Corporation or one of its affiliated companies.

©2023 Regal Rexnord Corporation, All Rights Reserved. MC017097E

RegalRexnord

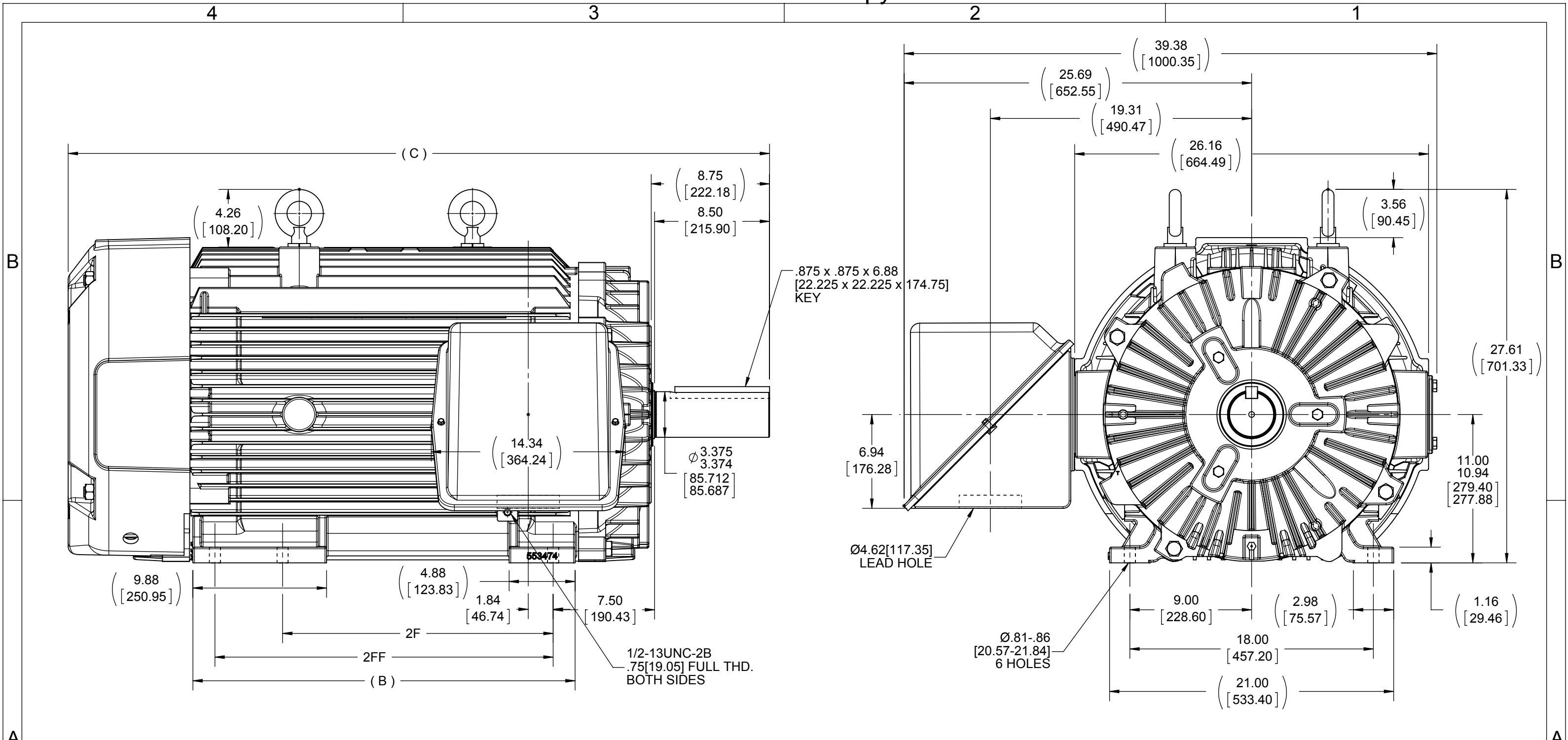


Nameplate Specifications

| | | | |
|------------------------|-----------------------------|----------------------------|------------------------------------|
| Phase | 3 | Output HP | 300 & 250 Hp |
| Output KW | 224.0 & 187.0 kW | Voltage | 460 & 380 V |
| Speed | 1188 & 985 rpm | Service Factor | 1.0 & 1.0 |
| Frame | 447/449T | Enclosure | Totally Enclosed Fan Cooled |
| Thermal Protection | No Protection | Efficiency | 95.4 & 95 % |
| Ambient Temperature | 40 °C | Frequency | 60 & 50 Hz |
| Current | 360 & 357 A | Power Factor | 82 |
| Duty | Continuous | Insulation Class | H |
| Design Code | B | KVA Code | G |
| Drive End Bearing Size | NU319 | Opp Drive End Bearing Size | 6318 |
| UL | Recognized | CSA | Y |
| CE | Y | IP Code | 43 |
| Number of Speeds | 1 | | |

Technical Specifications

| | | | |
|-----------------------|------------------------------------|-----------------------|---|
| Electrical Type | Squirrel Cage Induction Run | Starting Method | Part Wdg Start & Wye Start Delta Run |
| Poles | 6 | Rotation | Reversible |
| Resistance Main | .01 Ohms | Mounting | Rigid Base |
| Motor Orientation | Horizontal | Drive End Bearing | Roller |
| Opp Drive End Bearing | Ball | Frame Material | Cast Iron |
| Shaft Type | T | Overall Length | 51.86 in |
| Frame Length | 28.75 in | Shaft Diameter | 3.375 in |
| Shaft Extension | 8.75 in | Assembly/Box Mounting | F1/F2 Capable |
| Connection Drawing | A-EE7300BH | Outline Drawing | B-SS515635-2875 |



NOTES:
 1- C'BOX CAN BE ROTATED IN 90° STEPS.
 2- NAMEPLATES TO BE READ FROM C'BOX SIDE OF MOTOR.
 3- C'BOX CAN BE MOUNTED IN F2 POSITION.

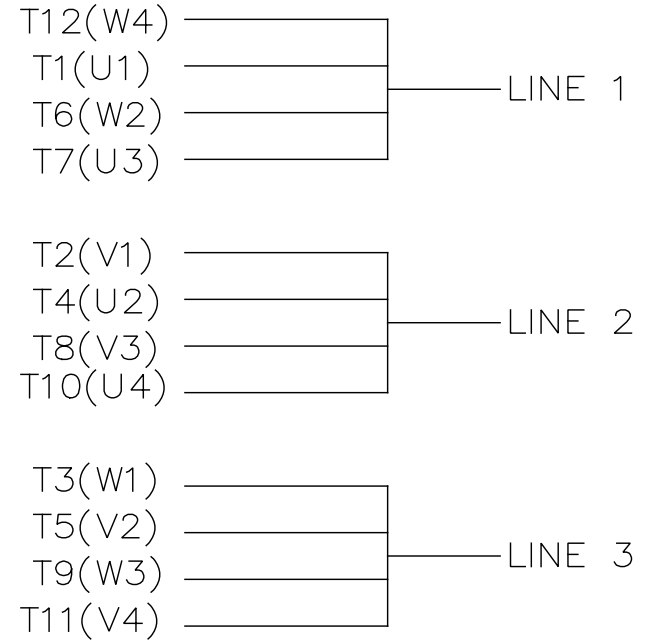
| DASH | FRAME | B | C | 2F | 2FF |
|------|-------|-------------------|--------------------|-------------------|-------------------|
| 2875 | 447T | 28.25 [717.55] | 51.86 [1317.24] | 20.00 [508.00] | --- |
| 2875 | 449T | 28.25 [717.55] | 51.86 [1317.24] | --- | 25.00 [635.00] |

| | | |
|---|--------------------|--------------------|
| DRAWING REVISION D | REVISION BY CM | DATE 04-11-2014 |
| ECO ECO-0049191 | APPROVED BY DJK | DATE 04-11-2014 |
| ECO DESCRIPTION UPDATE TO CURRENT STANDARDS | | |
| <small>COPYRIGHT REGAL BELOIT AMERICA, INC. ALL RIGHTS RESERVED. PROPRIETARY AND CONFIDENTIAL INFORMATION - THIS DOCUMENT IS THE PROPERTY OF REGAL BELOIT AMERICA, INC. ("OWNER") AND CONTAINS OWNER'S PROPRIETARY INFORMATION. ANY PERSON, CORPORATION OR OTHER FIRM RECEIVING IT IS DEEMED, BY RECEIVING IT, TO AGREE THAT IT, AND/OR ANY PART OF IT, SHALL NOT BE DISCLOSED TO ANY PERSON, CORPORATION OR OTHER ENTITY, DUPLICATED, AND/OR USED, EXCEPT AS EXPRESSLY APPROVED IN WRITING IN ADVANCE BY OWNER. THIS DOCUMENT SHALL BE RETURNED TO OWNER UPON REQUEST. IT MAY BE SUBJECT TO CERTAIN RESTRICTIONS UNDER APPLICABLE EXPORT CONTROL LAWS AND REGULATIONS.</small> | | |

| | | | |
|--|---------|-----------|---------|
| TOLERANCES UNLESS OTHERWISE SPECIFIED: | | | |
| DEC. | INCH | mm | ANGLE |
| .X | ±0.1 | [±2.5] | ±7° 30" |
| .XX | ±0.03 | [±0.76] | |
| .XXX | ±0.005 | [±0.127] | |
| .XXXX | ±0.0005 | [±0.0127] | |
| REMOVE BURRS & BREAK SHARP EDGES: .003/.015 [0.076/.381] | | | |
| CORNER FILLETS: .02 [0.51] | | | |
| MACHINED SURFACES: 200 INCH 5.1 mm | | | |
| mm SHOWN IN [BRACKETS] | | | |

| | |
|------------------------|--------------------|
| DRAWN BY DT | DATE 06-04-1996 |
| APPROVED BY JL | DATE 06-05-1996 |
| PROCESS/FINISH | |
| THIRD ANGLE PROJECTION | |

| | |
|---|----------------------------|
| Regal Beloit America, Inc. | |
| DESCRIPTION OUTLINE 447-449T FR. - STD. | |
| MATERIAL | |
| SIZE B | DRAWING NUMBER SS515635 |
| SHEET 1 OF 1 | |



VIEW OF TERMINAL END

| | | | | TOLERANCES UNLESS SPECIFIED | | REGAL REGAL - BELOIT CORPORATION | DRAWN RJW 02-11-2005 | | | |
|--|------------------------------|-------------|----------------|-----------------------------|--------------|----------------------------------|----------------------|-------------|------------|------|
| | | | | DEC. | INCHES | | CHK | ML | 02-11-2005 | |
| | | | | .X | ±.1 | | APPD | GK | 02-11-2005 | |
| | | | | .XX | ±.02 | TITLE CONNECTION DIAGRAM | | SCALE | | |
| D | CHANGED TO REGAL TITLE BLOCK | ECO-0108299 | WGJ 08/22/2016 | EMH | .XXX ±.005 | 12 LEAD- SINGLE VOLTAGE | | REF | | |
| 1 | ADDED IEC TERMINAL MARKINGS | CN 41429 | JJB 05/24/2007 | ML | .XXXX ±.0005 | MAT'L. | | FMF | | |
| NO. | REVISION | BY & DATE | CHK | ANG | ±7'30" | FINISH | | PREV | | |
| THIS DRAWING IN DESIGN AND DETAIL IS OUR PROPERTY AND MUST NOT BE USED EXCEPT IN CONNECTION WITH OUR WORK ALL RIGHTS OF DESIGN AND INVENTION ARE RESERVED THIS IS AN ELECTRONICALLY GENERATED DOCUMENT - DO NOT SCALE THIS PRINT | | | | RFP | 02-11-2005 | CAD FILE ee7300bh | SIZE | DRAWING NO. | PAGE OF | REV. |
| | | | | DIST | LB | | A | EE7300BH | | C |