

# PRODUCT INFORMATION PACKET

Model No: 449TTD6060

Catalog No: GT00037

Globetrotter® General Purpose Motor, 400 & 350 HP, 3 Ph, 60 & 50 Hz, 460 & 380 V, 1800 & 1500 RPM,  
449T Frame, DP



Regal and Marathon are trademarks of Regal Rexnord Corporation or one of its affiliated companies.

©2023 Regal Rexnord Corporation, All Rights Reserved. MC017097E

### Nameplate Specifications

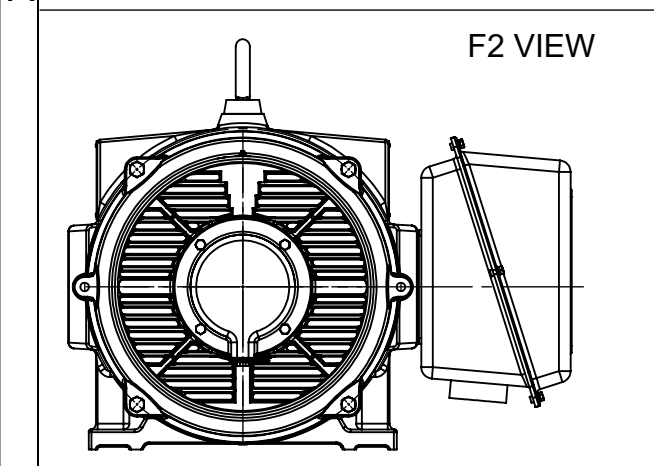
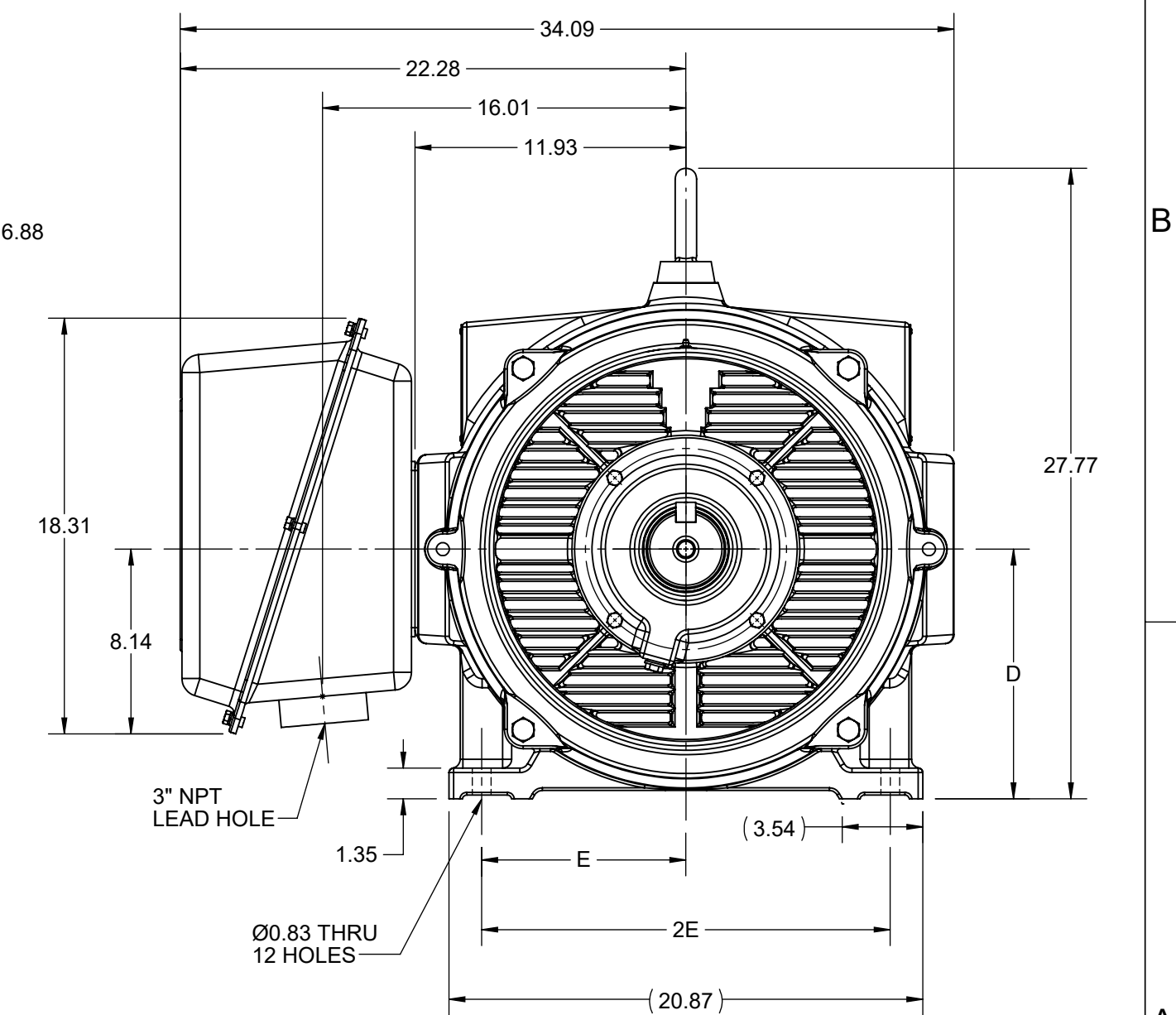
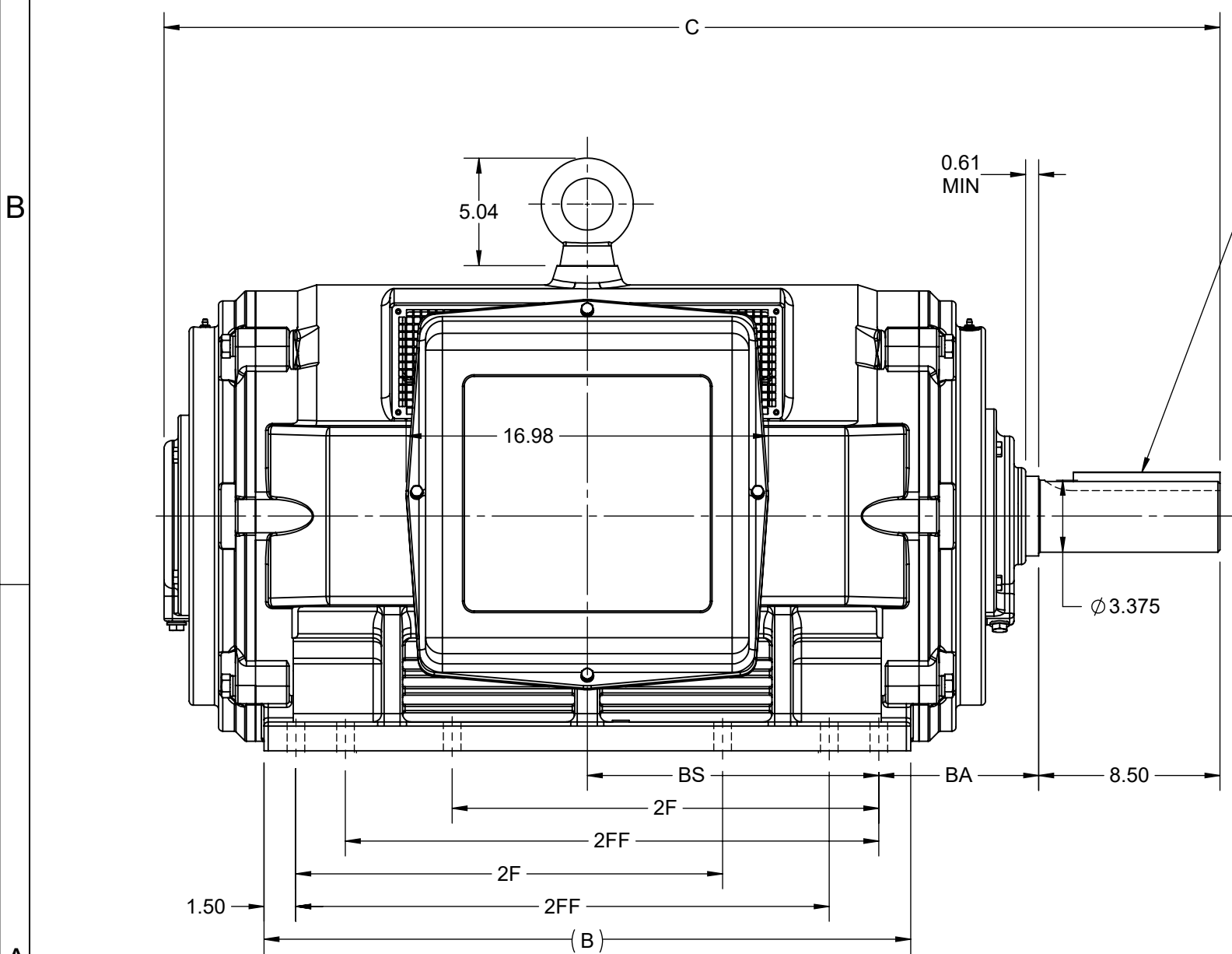
Phase	<b>3</b>	Output HP	<b>400 &amp; 350 Hp</b>
Output KW	<b>300.0 &amp; 260.0 kW</b>	Voltage	<b>460 &amp; 380 V</b>
Speed	<b>1788 &amp; 1486 rpm</b>	Service Factor	<b>1.15 &amp; 1.15</b>
Frame	<b>449T</b>	Enclosure	<b>Drip Proof</b>
Thermal Protection	<b>No Protection</b>	Efficiency	<b>95.8 &amp; 95.5 %</b>
Ambient Temperature	<b>40 °C</b>	Frequency	<b>60 &amp; 50 Hz</b>
Current	<b>452 &amp; 478 A</b>	Power Factor	<b>86.3</b>
Duty	<b>Continuous</b>	Insulation Class	<b>F</b>
Design Code	<b>B</b>	KVA Code	<b>G</b>
Drive End Bearing Size	<b>6319</b>	Opp Drive End Bearing Size	<b>6317</b>
UL	<b>Recognized</b>	CSA	<b>Y</b>
CE	<b>Y</b>	IP Code	<b>22</b>
Number of Speeds	<b>1</b>		

### Technical Specifications

Electrical Type	<b>Squirrel Cage Inverter Rated</b>	Starting Method	<b>Part Wdg Start &amp; Wye Start Delta Run Or Inverter</b>
Poles	<b>4</b>	Rotation	<b>Reversible</b>
Resistance Main	<b>.0102 Ohms</b>	Mounting	<b>Rigid Base</b>
Motor Orientation	<b>Horizontal</b>	Drive End Bearing	<b>Ball</b>
Opp Drive End Bearing	<b>Ball</b>	Frame Material	<b>Cast Iron</b>
Shaft Type	<b>T</b>	Shaft Diameter	<b>3.375 in</b>
Assembly/Box Mounting	<b>F1/F2 CAPABLE</b>	Inverter Load	<b>VARIABLE 10:1</b>
Connection Drawing	<b>EE7300BH</b>	Outline Drawing	<b>SS620758-200</b>

This is an uncontrolled document once printed or downloaded and is subject to change without notice. Date Created:06/23/2023

4				3				2		1	
DASH NO.	B	C	D	E	2E	2F	2FF	BA	BS	MOUNTING	FRAME
100	25.20	44.39	11.00	9.00	18.00	14.50	16.50	7.50	11.10	F1 OR F2	444/445T
200	30.31	49.50				20.00	25.00		13.66		447/449T

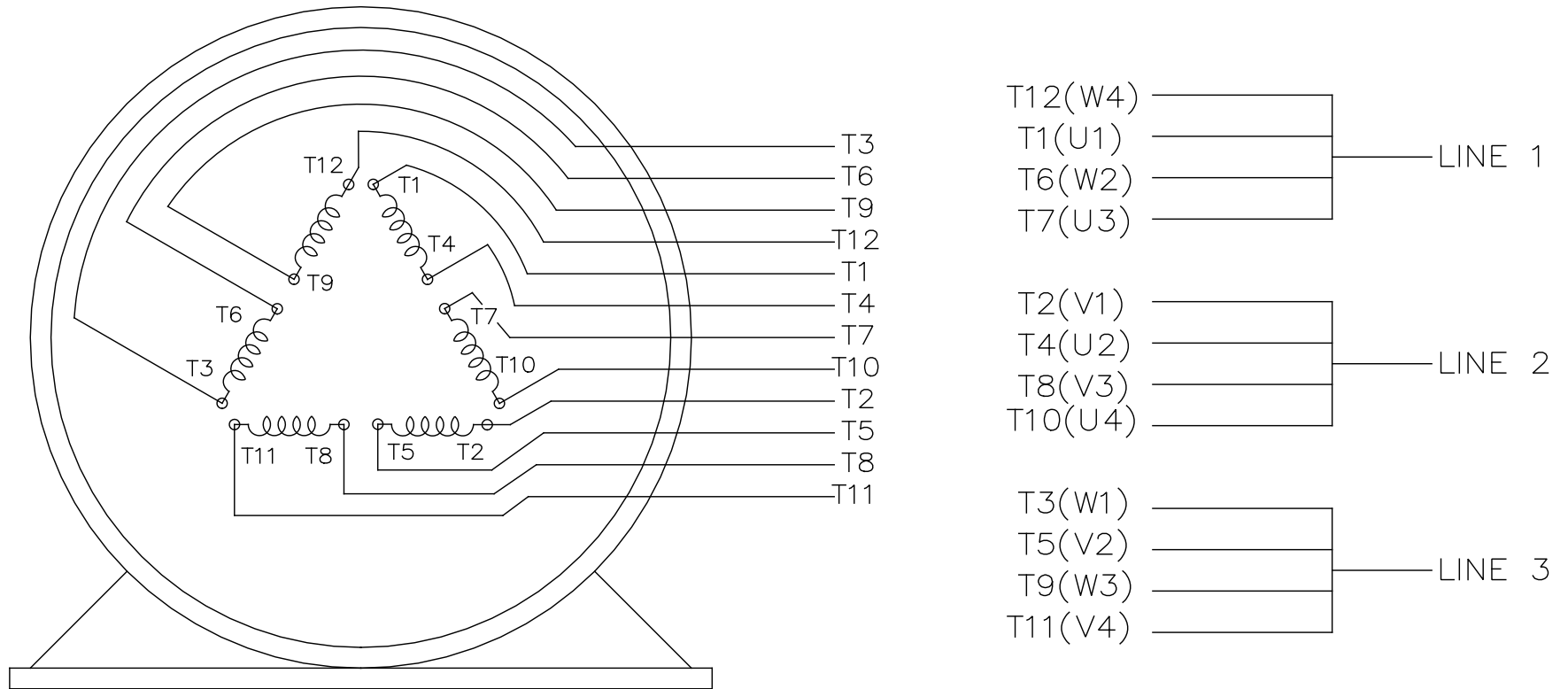


DRAWING REVISION C	REVISION BY RAM	REV DATE/© DATE 09/02/2022
REQUEST NUMBER CR-0006851	APPROVED BY SBD	DATE 09/02/2022
REQUEST NUMBER DESCRIPTION VIEWS UPDATED AS PER 3D		
<small>COPYRIGHT (PER REVISION DATE) REGAL BELOIT AMERICA, INC. ALL RIGHTS RESERVED. PROPRIETARY AND CONFIDENTIAL INFORMATION - THIS DOCUMENT IS THE PROPERTY OF REGAL BELOIT AMERICA, INC. ("OWNER") AND CONTAINS OWNER'S PROPRIETARY INFORMATION. ANY PERSON, CORPORATION OR OTHER FIRM RECEIVING IT IS DEEMED, BY RECEIVING IT, TO AGREE THAT IT, AND/OR ANY PART OF IT, SHALL NOT BE DISCLOSED TO ANY PERSON, CORPORATION OR OTHER ENTITY, DUPLICATED, AND/OR USED, EXCEPT AS EXPRESSLY APPROVED IN WRITING IN ADVANCE BY OWNER. THIS DOCUMENT SHALL BE RETURNED TO OWNER UPON REQUEST. IT MAY BE SUBJECT TO CERTAIN RESTRICTIONS UNDER APPLICABLE EXPORT CONTROL LAWS AND REGULATIONS.</small>		


PRIMARY DIMENSIONS ARE INCH  
mm DIMENSIONS IN [BRACKETS]  
ARE FOR REFERENCE ONLY

DRAWN BY ZXW
DATE 21/07/2016
APPROVED BY
DATE
REFERENCE
THIRD ANGLE PROJECTION

<b>Regal Rexnord</b>		Regal Beloit America, Inc.	
DESCRIPTION <b>OUTLINE</b> 444/445/447/449T FR NEMA ODP CAST IRON			
MATERIAL		PROCESS/FINISH	
SIZE <b>B</b>	DRAWING NUMBER <b>SS620758</b>	SHEET 1 OF 1	



VIEW OF TERMINAL END

				TOLERANCES UNLESS SPECIFIED		 REGAL - BELOIT CORPORATION	DRAWN RJW 02-11-2005		
				DEC.	INCHES		CHK	ML 02-11-2005	
				.X	±.1		APPD	GK 02-11-2005	
				.XX	±.02	TITLE	SCALE		
D	CHANGED TO REGAL TITLE BLOCK	ECO-0108299	WGJ 08/22/2016	EMH	.XXX ±.005	12 LEAD- SINGLE VOLTAGE		REF	
1	ADDED IEC TERMINAL MARKINGS	CN 41429	JJB 05/24/2007	ML	.XXXX ±.0005	MAT'L.	FMF		
NO.	REVISION	BY & DATE	CHK	ANG	±7'30"	FINISH	PREV		
THIS DRAWING IN DESIGN AND DETAIL IS OUR PROPERTY AND MUST NOT BE USED EXCEPT IN CONNECTION WITH OUR WORK ALL RIGHTS OF DESIGN AND INVENTION ARE RESERVED THIS IS AN ELECTRONICALLY GENERATED DOCUMENT - DO NOT SCALE THIS PRINT				RFP	02-11-2005	CAD FILE	ee7300bh	SIZE	DRAWING NO. PAGE OF REV.
				DIST	LB	A	EE7300BH	C	



P.O. BOX 8003  
WAUSAU, WI 54401-8003  
PH. 715-675-3311

DATA VOLTS: 460

**CERTIFICATION DATA SHEET**

CUSTOMER: \_\_\_\_\_  
ORDER #: \_\_\_\_\_  
CONN. DIAGRAM: EE7300BH  
OUTLINE: SS620758-449T  
WINDING: HA32804036 NONE 1  
SPEED: \_\_\_\_\_

CUSTOMER P.O. #: \_\_\_\_\_  
REFERENCE MODEL #: 449TTDCD6060  
CAT #: GT00037  
CUSTOMER PART #: \_\_\_\_\_  
MOUNTING: F1/F2 CAPABLE

**TYPICAL MOTOR PERFORMANCE DATA**

HP	KW	SYNC RPM	FL RPM	FRAME	ENCLOSURE	TYPE	KVA CODE	DESIGN
400	298	1800	1788	449T	DP	TDC	G	B

PH	HZ	VOLTS	AMPS	START TYPE	DUTY	INSL	S.F.	AMB	ELEV.
3	60/50	460#380	452&478	PWS & YDRUN	CONT	F	1.15	40	3300

F.L. EFF	3/4 LD EFF	96.2	1/2 LD EFF	96.0	GTD EFF	ELECT. TYPE
95.8	96.2	96.2	96.0	96.0	95.4	SQ CAGE INV RATED
F.L. PF	3/4 LD PF	84.6	1/2 LD PF	78.4	95.4	
86.3	84.6	84.6	78.4	95.4	95.4	

F.L. TORQUE	LR AMPS @ 460 V	L.R. TORQUE	B.D. TORQUE	F.L. RISE (° C)
1,175 LB-FT	2,794	2,835 LB-FT 241%	2,400 LB-FT 204%	75

SOUND PRESSURE @ 3 FT.	SOUND	POWER	ROTOR WK <sup>2</sup>	MAX. LOAD WK <sup>2</sup>	SAFE STALL TIME	STARTS/HOUR	APROX.	MOTOR WGT
84 dBA	93 dBA		88.0 LB-FT <sup>2</sup>	1000 LB-FT <sup>2</sup>	20 SEC.	2	2200 LB.	

\*\*\* SUPPLEMENTAL INFORMATION \*\*\*

DE BRACKET TYPE	ODE BRACKET TYPE	MOUNT TYPE	MOTOR ORIENTATION	SEVERE DUTY	HAZARDOUS LOCATION	DRIP COVER	SCREENS	PAINT
STANDARD	STANDARD	RIGID	HORIZONTAL	NO	NONE	YES	RODENT	BLUE (ENAMEL)

BEARINGS		GREASE	SHAFT TYPE	SPECIAL DE	SPECIAL ODE	SHAFT MATERIAL	FRAME MATERIAL
DE	ODE						
BALL	BALL	POLYREX EM	T	NONE	NONE	1045 HOT ROLLED (C-204)	CAST IRON
6319	6317						

THERMOSTATS	PROTECTORS	WDG RTD's	BRG RTD's	THERMISTORS	CONTROL	SPACE HEATERS
NONE	NOT	NONE	NONE	NONE	FALSE	NA

R1 (ohms/ph)	R2 (ohms/ph)	X1 (ohms/ph)	X2 (ohms/ph)	Xm (ohms/ph)	VIBRATION (in/sec)	FLOAT
0.006	0.004	0.047	0.116	2.092	0.150	ODE

* N O T E S *	INVERTER TORQUE: VARIABLE 10:1 INV. HP SPEED RANGE: NONE					
	ENCODER: NONE NONE NONE PPR					
	BRAKE: NONE NONE NONE FT-LB: NA VOLTAGE: NONE HZ:					
	UL: V - LI,ME-INS.CONST UL REC					

PREPARED BY: _____	UL: V - LI,ME-INS.CONST UL REC
DATE: 12/24/2020	
FORM: 3531 REV_4 2/27/06	

Data Sheet

Date: 12/24/2020  
 Customer: \_\_\_\_\_  
 Attention: \_\_\_\_\_  
 Submitted by: \_\_\_\_\_



449TTDCD6060

Submittal

Data @ 460 V

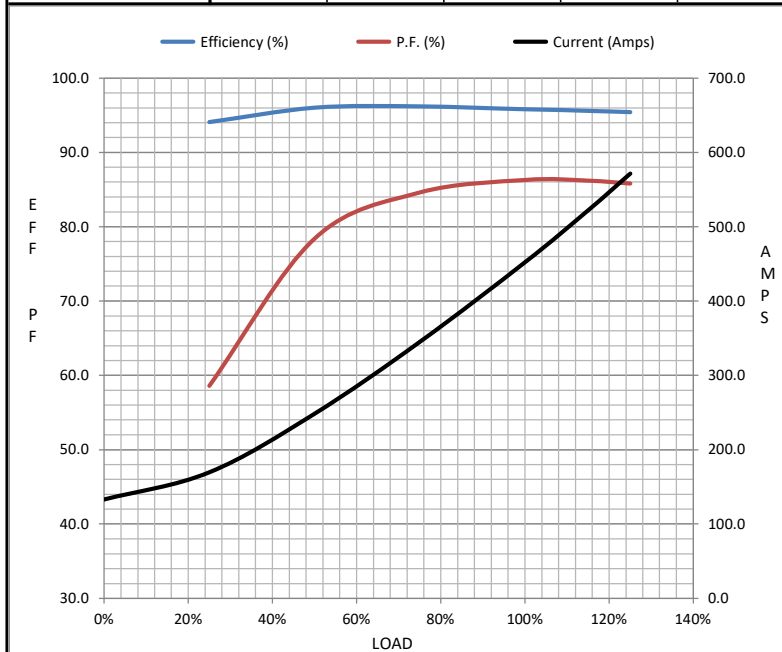
Motor Load Data

Load	0%	25%	50%	75%	100%	115%	125%	LR
Current (Amps)	133	170	249	345	452	522	572	2,794
Torque (ft-lb)	0.00	292	586	880	1,175	1,353	1,472	2,835
RPM	1800	1797	1794	1791	1788	1,785	1784	0
Efficiency (%)		94.1	96.0	96.2	95.8	95.6	95.4	
P.F. (%)	4.0	58.6	78.4	84.6	86.3	86.2	85.8	38.0

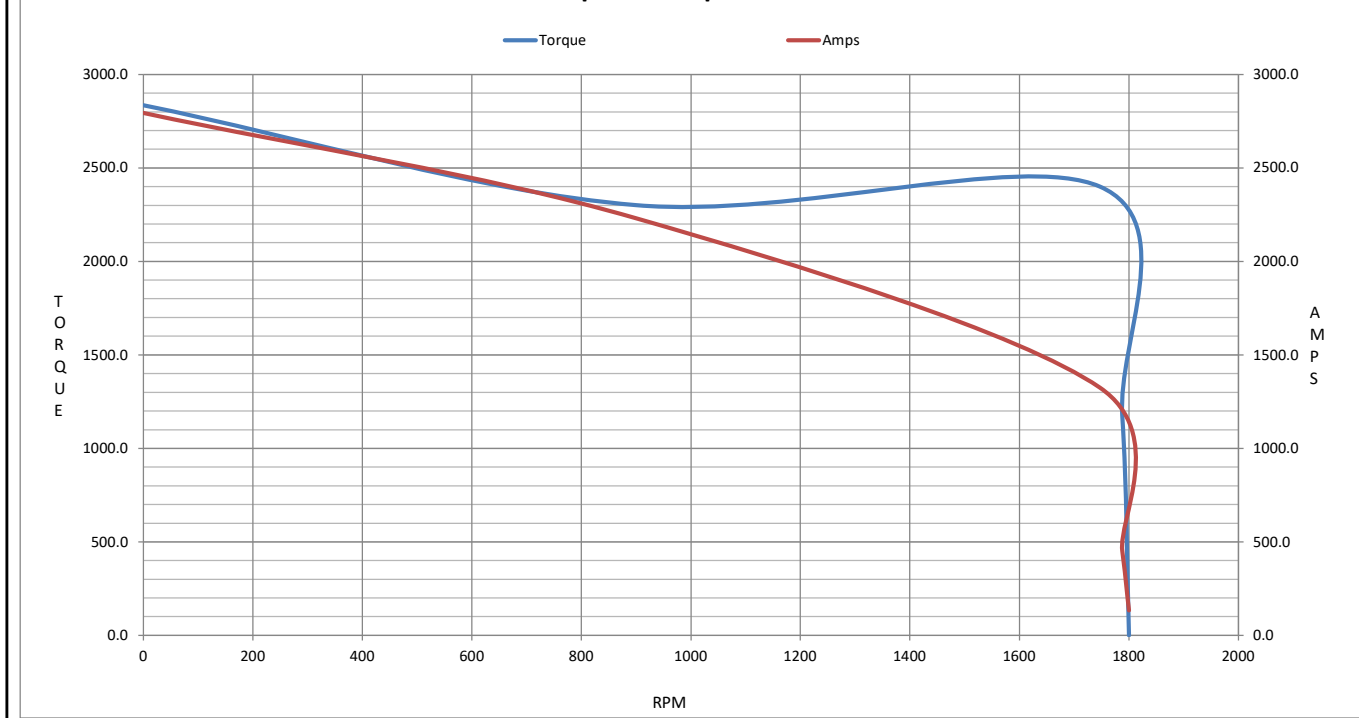
Motor Speed Data

	LR	Pull-Up	BD	Rated	Idle
Speed (RPM)	0	900	1747	1788	1800
Current (Amps)	2,794	2,230	1,325	452	133
Torque (ft-lb)	2,835	2,300	2,400	1,175	0.00

Information Block				
HP	400.0			
Sync. RPM	1800			
Frame	449			
Enclosure	DP			
Construction	TDC			
Voltage	460#380 V			
Frequency	60 Hz			
Design	B			
LR Code letter	G			
Service Factor	1.15			
Temp Rise @ FL	75 ° C			
Duty	CONT			
Ambient	40 ° C			
Elevation	3,300 feet			
Rotor/Shaft wk <sup>2</sup>	88.0 Lb-Ft <sup>2</sup>			
Ref Wdg	HA32804036 NONE			
Sound Pressure @ 1M	84 dBA			
VFD Rating	VARIABLE 10:1			
Outline Dwg	SS620758-449T			
Conn. Diag	EE7300BH			
Additional Specifications:				
0				
0				
EQUIV CKT (OHMS / PHASE)				
R1	R2	X1	X2	Xm
0.0060	0.0040	0.0470	0.1160	2.0920



Speed - Torque Curve



## EC Declaration of Conformity

The undersigned representing  
the manufacturer:

Regal Beloit America  
100 East Randolph St.  
Wausau, WI 54401

and the authorized representative  
established within the Community:

Marathon Electric UK  
6F Thistleton Road Ind. Estate  
Market Overton  
Oakham, Rutland LE15 7PP UK

are committed to providing customers with products that comply with applicable regulations and international protocols to which they are subject, including the requirements of the European Parliament Directive on the Harmonization of the laws relating to electrical equipment designed for use within certain voltage limits (2014/35/EU).

Regal Beloit America declares that the following product(s), to which this declaration relates, are in conformity with the relevant sections of the EC standards listed below.

This statement supersedes any statements previously issued pertaining to the product(s) listed below and is subject to change without notice.

Model No : 449TTDCD6060

(Model No. may contain prefix and/or suffix characters)

Catalog No : GT00037

Rework No : N/A

Directives :

Low Voltage Directive 2014/35/EU

Harmonized Standards Used :

EN 60034-1: 2010 (IEC 60034-1: 2010)

EN 60034-5: 2001/A1:2007 (IEC 60034-5: 2000/A1:2006)

Authorized Representative:



Michael A. Logsdon  
Vice President, Technology

Authorized Representative in the Community:



Julian Clark  
Marketing Engineer

Created on 09/01/2022

**CE 22**