

# PRODUCT INFORMATION PACKET

**marathon®**  
Motors

Model No: 449TSTGS14003

Catalog No: E595

Explosion Proof Motor, 250 & 200 HP, 3 Ph, 60 & 50 Hz, 460 & 380 V, 3600 & 3000 RPM,  
447/449TS Frame, EPFC



Regal and Marathon are trademarks of Regal Rexnord Corporation or one of its affiliated companies.

©2023 Regal Rexnord Corporation, All Rights Reserved. MC017097E

**RegalRexnord**

### Nameplate Specifications

|                        |                                    |                            |   |
|------------------------|------------------------------------|----------------------------|---|
| Phase                  | <b>3</b>                           | Output HP                  | <b>250 &amp; 200 Hp</b>                               |
| Output KW              | <b>187.0 &amp; 149.0 kW</b>        | Voltage                    | <b>460 &amp; 380 V</b>                                |
| Speed                  | <b>3575 &amp; 2975 rpm</b>         | Service Factor             | <b>1.0 &amp; 1.0</b>                                  |
| Frame                  | <b>447/449TS</b>                   | Enclosure                  | <b>Explosion Proof Fan cooled</b>                     |
| Thermal Protection     | <b>Thermostat</b>                  | Efficiency                 | <b>95.4 &amp; 94.5 %</b>                              |
| Ambient Temperature    | <b>40 °C</b>                       | Frequency                  | <b>60 &amp; 50 Hz</b>                                 |
| Current                | <b>275 &amp; 265 A</b>             | Power Factor               | <b>90</b>   |
| Duty                   | <b>Continuous</b>                  | Insulation Class           | <b>F</b>  |
| Design Code            | <b>B</b>                           | KVA Code                   | <b>G</b>  |
| Drive End Bearing Size | <b>6313</b>                        | Opp Drive End Bearing Size | <b>6313</b>   |
| UL                     | <b>UL Listed And CSA Certified</b> | CSA                        | <b>Y</b>  |
| CE                     | <b>N</b>                           | IP Code                    | <b>54</b>   |
| Number of Speeds       | <b>1</b>                           | Hazardous Location         | <b>EXP PROOF CL I GR C&amp;D CL II GR F&amp;G T3B</b> |

### Technical Specifications

|                       |                                     |                       |                         |
|-----------------------|-------------------------------------|-----------------------|-------------------------|
| Electrical Type       | <b>Squirrel Cage Inverter Rated</b> | Starting Method       | <b>Line Or Inverter</b> |
| Poles                 | <b>2</b>                            | Rotation              | <b>Reversible</b>       |
| Resistance Main       | <b>.0106 Ohms</b>                   | Mounting              | <b>Rigid Base</b>       |
| Motor Orientation     | <b>Horizontal</b>                   | Drive End Bearing     | <b>Ball</b>             |
| Opp Drive End Bearing | <b>Ball</b>                         | Frame Material        | <b>Cast Iron</b>        |
| Shaft Type            | <b>TS</b>                           | Overall Length        | <b>48.19 in</b>         |
| Frame Length          | <b>28.75 in</b>                     | Shaft Diameter        | <b>2.375 in</b>         |
| Shaft Extension       | <b>4.75 in</b>                      | Assembly/Box Mounting | <b>F1 ONLY</b>          |
| Inverter Load         | <b>CONSTANT 2:1</b>                 |                       |                         |
| Outline Drawing       | <b>B-SS515927-2875</b>              | Connection Drawing    | <b>A-EE7300S</b>        |

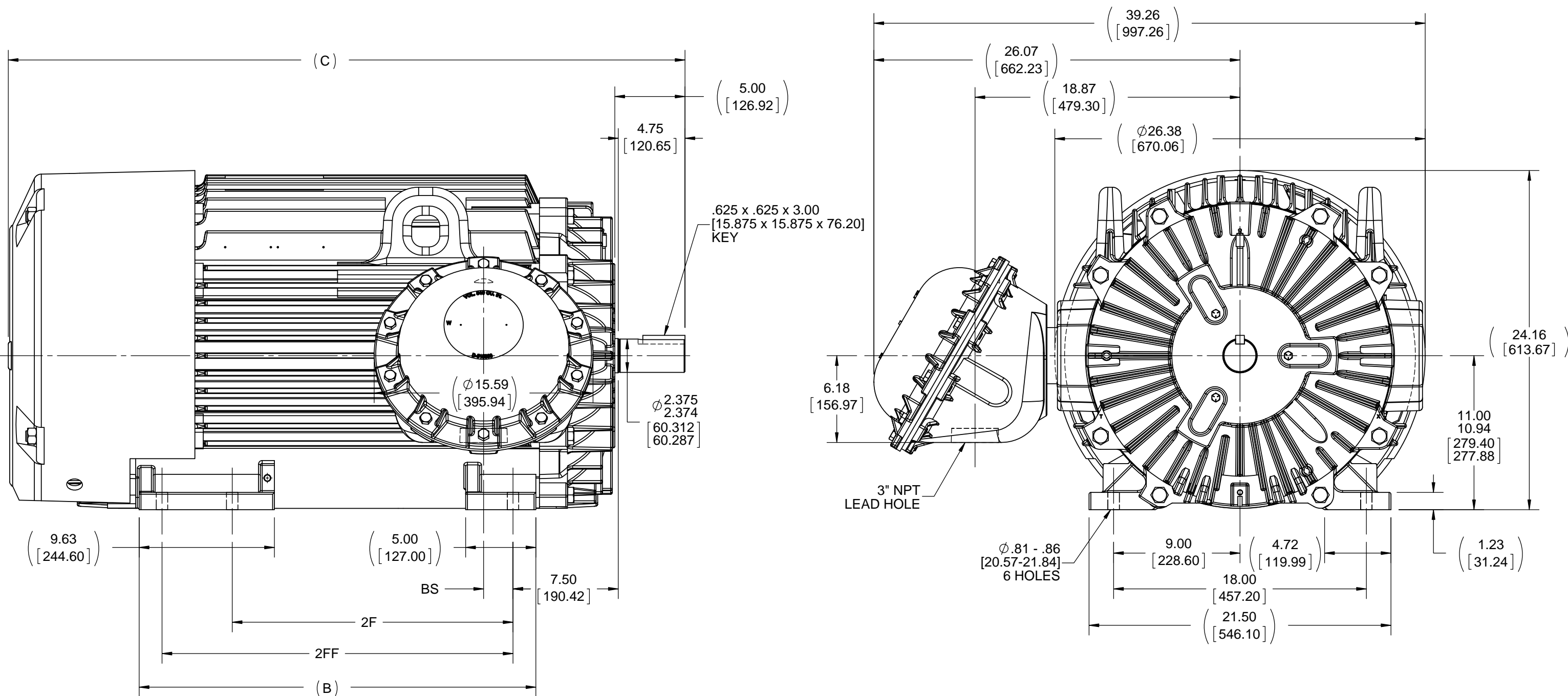


B

B

A

A



- NOTES:  
 1. CONDUIT BOX CAN ONLY BE ROTATED CLOCKWISE UP TO 270° FROM ITS ORIGINAL POSITION.  
 2. NAMEPLATES TO BE READ FROM CONDUIT BOX SIDE OF MOTOR.  
 3. DIMENSIONS IN [ ] ARE IN MILLIMETERS.

| DASH | FRAME | B                 | C                  | 2F                | 2FF               | BS              |
|------|-------|-------------------|--------------------|-------------------|-------------------|-----------------|
| 2875 | 447TS | 28.25<br>[717.55] | 48.19<br>[1224.03] | 20.00<br>[508.00] | ---               | 2.09<br>[53.09] |
| 2875 | 449TS | 28.25<br>[717.55] | 48.19<br>[1224.03] | ---               | 25.00<br>[635.00] | 2.09<br>[53.09] |

|  |                    |                    |
|--|--------------------|--------------------|
| DRAWING REVISION<br>E  | REVISION BY<br>JJB | DATE<br>01-05-2017 |
| ECO<br>ECO-0114341   | APPROVED BY<br>TDB | DATE<br>01-05-2017 |
| ECO DESCRIPTION<br>UPDATED TO CURRENT STANDARDS<br>COPYRIGHT REGAL BELOIT AMERICA, INC. ALL RIGHTS RESERVED.<br>PROPRIETARY AND CONFIDENTIAL INFORMATION - THIS DOCUMENT IS THE PROPERTY OF REGAL BELOIT AMERICA, INC. ("OWNER") AND CONTAINS OWNER'S PROPRIETARY INFORMATION. ANY PERSON, CORPORATION OR OTHER FIRM RECEIVING IT IS DEEMED, BY RECEIVING IT, TO AGREE THAT IT, AND/OR ANY PART OF IT, SHALL NOT BE DISCLOSED TO ANY PERSON, CORPORATION OR OTHER ENTITY, DUPLICATED, AND/OR USED, EXCEPT AS EXPRESSLY APPROVED IN WRITING IN ADVANCE BY OWNER. THIS DOCUMENT SHALL BE RETURNED TO OWNER UPON REQUEST. IT MAY BE SUBJECT TO CERTAIN RESTRICTIONS UNDER APPLICABLE EXPORT CONTROL LAWS AND REGULATIONS. |                    |                    |

TOLERANCES UNLESS OTHERWISE SPECIFIED:

| DEC.  | INCH    | mm        | ANGLE   |
|-------|---------|-----------|---------|
| .X    | ±0.1    | [±2.5]    | ±7° 30" |
| .XX   | ±0.03   | [±0.76]   |         |
| .XXX  | ±0.005  | [±0.127]  |         |
| .XXXX | ±0.0005 | [±0.0127] |         |

REMOVE BURRS & BREAK SHARP EDGES: .003/.015 [0.076/.381] X 45°  
 CORNER FILLETS: R.02 [51]  
 MACHINED SURFACES: 200 INCH 5.1 mm  
 mm SHOWN IN [BRACKETS]

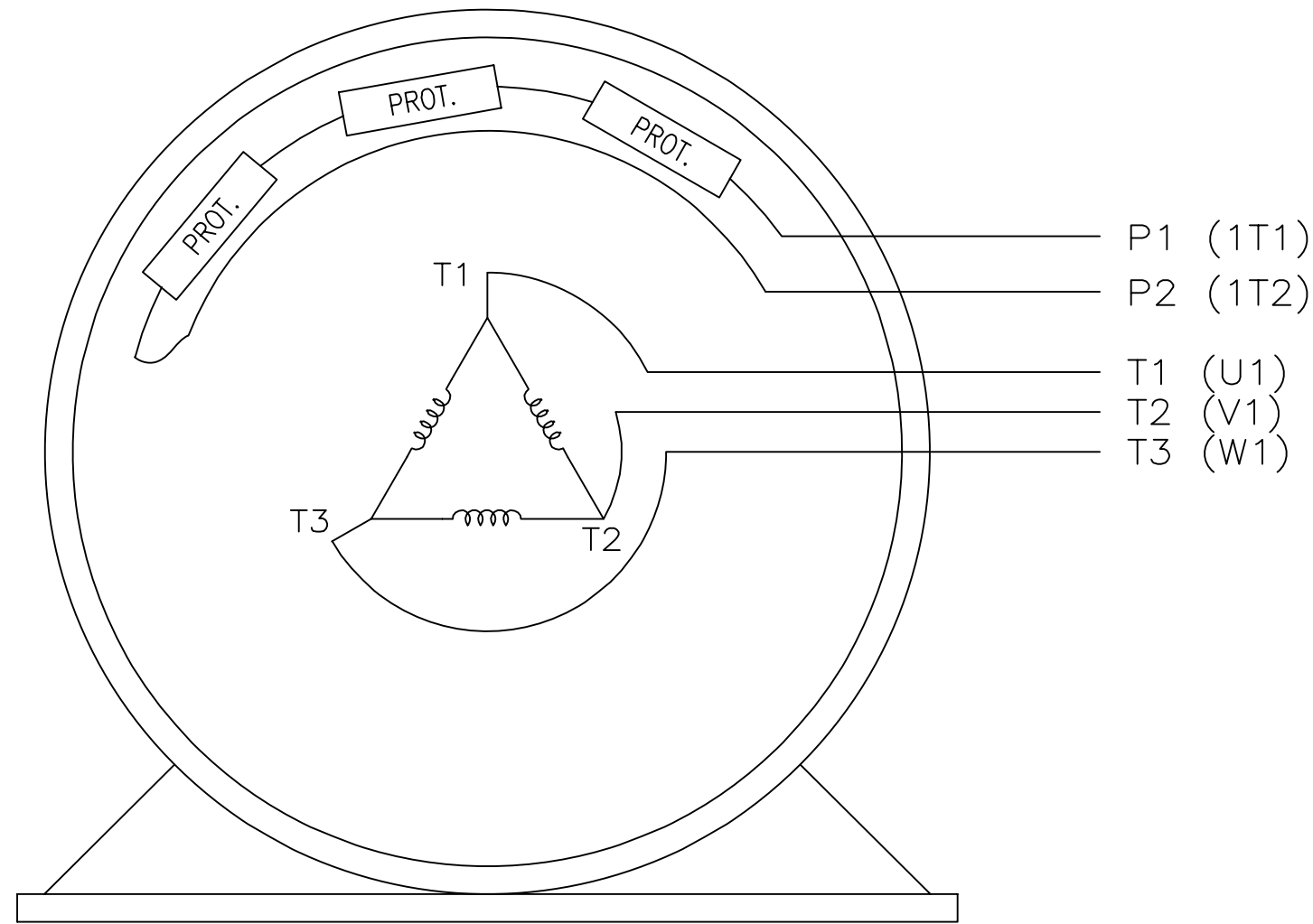
|                        |
|------------------------|
| DRAWN BY<br>CM         |
| DATE<br>3-10-2014      |
| APPROVED BY<br>DJK     |
| DATE<br>3-14-2014      |
| REFERENCE              |
| THIRD ANGLE PROJECTION |

|  |                                   |
|--|-----------------------------------|
| <b>REGAL</b> ™ Regal Beloit America, Inc.                              |                                   |
| DESCRIPTION<br><b>OUTLINE</b><br>447/449TS FR. - TEFC - STD. - EX. PR. |                                   |
| MATERIAL   | PROCESS/FINISH                    |
| SIZE<br><b>B</b>   | DRAWING NUMBER<br><b>SS515927</b> |
| SHEET<br>1 OF 1  |                                   |

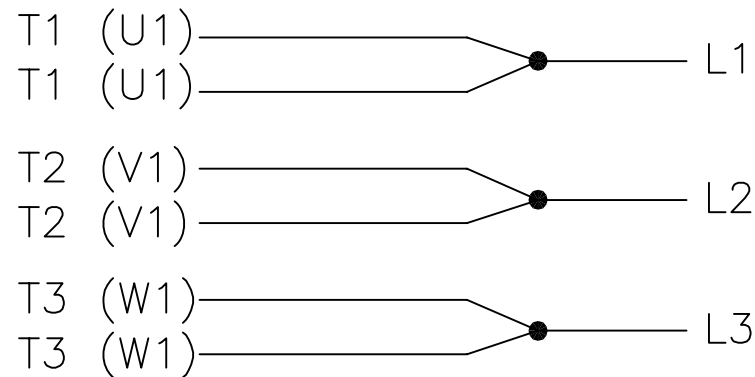
EE7300S

THREE PHASE – SINGLE VOLTAGE MOTOR

TO REVERSE ROTATION:  
INTERCHANGE ANY TWO LINE  
LEAD CONNECTIONS




IF MOTOR HAS MULTIPLE  
T'S PER LEAD CONNECT  
TOGETHER LIKE T'S



A-9806 DECAL

VIEW OF TERMINAL END

|  |                                     |           |            | TOLERANCES UNLESS SPECIFIED |                  |  <b>REGAL-BELOIT CORPORATION</b> | DRAWN KL 12-15-1999 |                     |         |        |
|--|-------------------------------------|-----------|------------|-----------------------------|------------------|---|---------------------|---------------------|---------|--------|
|  |                                     |           |            | DEC.                        | INCHES           |   | CHK DJK 12-15-1999  | APPD DJK 12-15-1999 |         |        |
| F  | UPDATED TITLE BLOCK                 | HV        | 02-27-2014 | EWB                         | .X ± -           | TITLE CONNECTION DIAGRAM – EXTERNAL<br>SINGLE VOLTAGE 3Ø MOTOR<br>MAT'L.  | SCALE 1=1           |                     |         |        |
| 3  | REMOVED "N.C." FROM PROT.'S MU61770 | JJB       | 08-02-2010 |                             | .XX ± -          |   | REF                 |                     |         |        |
| 2  | ADDED IEC MARKINGS MU61770          | KL        | 09-16-2004 | EAB                         | .XXX ± -         |   | FMP                 |                     |         |        |
| 1  | NEW DRAWING                         | KL        | 12-16-1999 |                             | .XXXX ± -        |   | PREV                |                     |         |        |
| NO.  | REVISION                            | BY & DATE | CHK        | ANG                         | ± -              | FINISH  |                     |                     |         |        |
| THIS DRAWING IN DESIGN AND DETAIL IS OUR PROPERTY AND MUST NOT BE USED EXCEPT<br>IN CONNECTION WITH OUR WORK ALL RIGHTS OF DESIGN AND INVENTION ARE RESERVED<br>THIS IS AN ELECTRONICALLY GENERATED DOCUMENT – DO NOT SCALE THIS PRINT |                                     |           |            | RFP                         | CAD FILE ee7300s |   | SIZE A              | DRAWING NO. EE7300S | PAGE OF | REV. F |
|  |                                     |           |            | DIST                        | WA-LB-SB         |   |                     |                     |         |        |