

PRODUCT INFORMATION PACKET

marathon[®]
Motors

Model No: 449TSTFS8003

Catalog No: L451

Other Purpose Motor, 250 & 200 HP, 3 Ph, 60 & 50 Hz, 460 & 380 V, 3600 & 3000 RPM, 447/449TS Frame,
TEFC

Regal and Marathon are trademarks of Regal Rexnord Corporation or one of its affiliated companies.

©2023 Regal Rexnord Corporation, All Rights Reserved. MC017097E

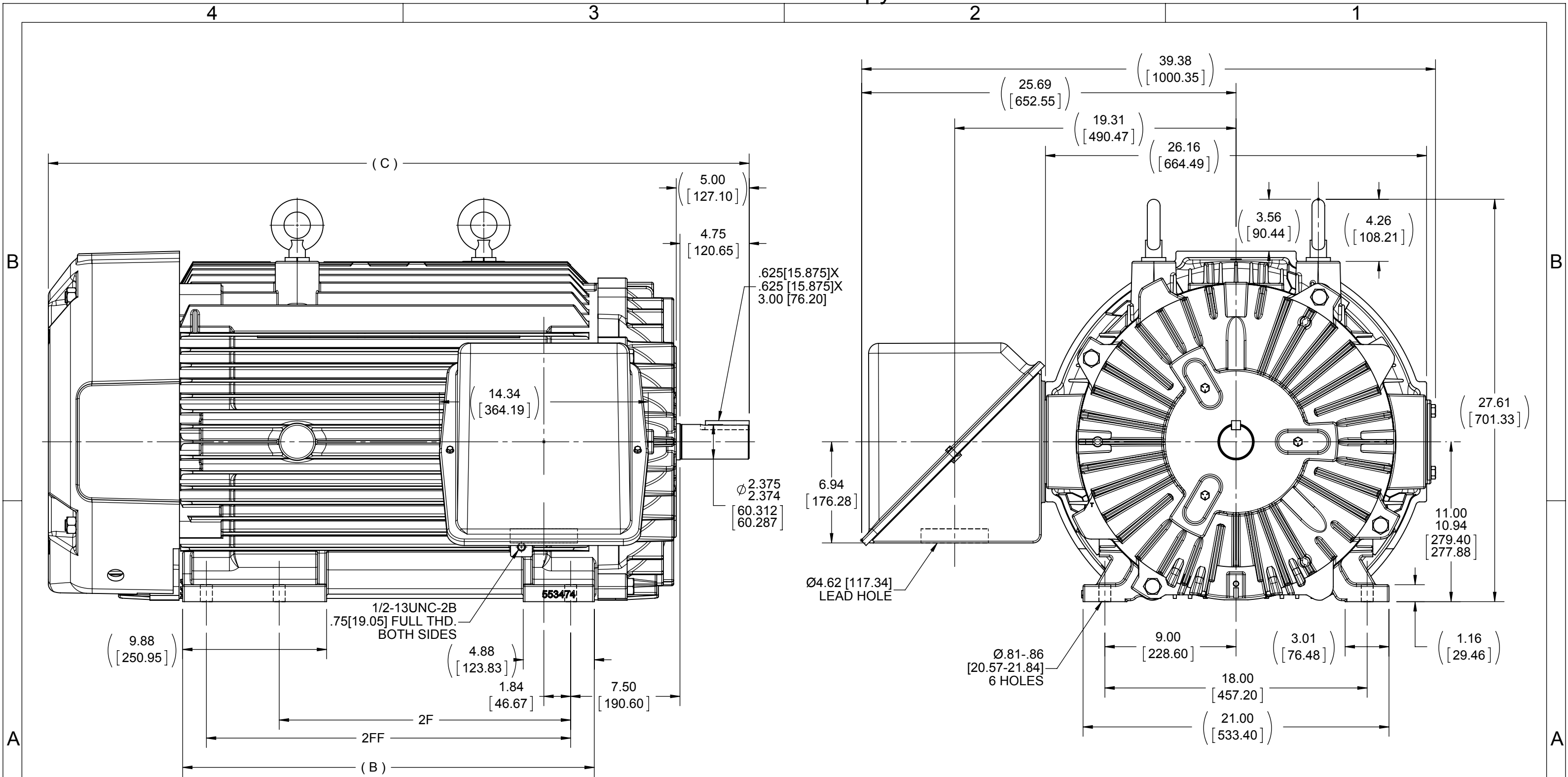
RegalRexnord

Nameplate Specifications

Phase	3	Output HP	250 & 200 Hp
Output KW	187.0 & 149.0 kW	Voltage	460 & 380 V
Speed	3570 & 2970 rpm	Service Factor	1.15 & 1.15
Frame	447/449TS	Enclosure	Totally Enclosed Fan Cooled
Thermal Protection	No Protection	Efficiency	95 & 95 %
Ambient Temperature	40 °C	Frequency	60 & 50 Hz
Current	280 & 270 A	Power Factor	88
Duty	Continuous	Insulation Class	H
Design Code	B	KVA Code	F
Drive End Bearing Size	6313	Opp Drive End Bearing Size	6313
UL	Recognized	CSA	Y
CE	Y	IP Code	43
Number of Speeds	1		

Technical Specifications

Electrical Type	Squirrel Cage Inverter Rated	Starting Method	Part Wdg Start & Wye Start Delta Run Or Inverter
Poles	2	Rotation	Reversible
Resistance Main	.013 Ohms	Mounting	Rigid Base
Motor Orientation	Horizontal	Drive End Bearing	Ball
Opp Drive End Bearing	Ball	Frame Material	Cast Iron
Shaft Type	TS	Overall Length	48.11 in
Frame Length	28.75 in	Shaft Diameter	2.375 in
Shaft Extension	5 in	Assembly/Box Mounting	F1/F2 CAPABLE
Connection Drawing	A-EE7300BH	Outline Drawing	B-SS515643-2875



NOTE:
 1. CONDUIT BOX CAN BE ROTATED IN 90° STEPS.
 2. NAMEPLATES TO BE READ FROM CONDUIT BOX SIDE OF THE MOTOR.

DASH	FRAME	B	C	2F	2FF
2875	447TS	28.25 [717.55]	48.11 [1221.99]	20.00 [508.00]	25.00 [635.00]
2875	449TS	28.25 [717.55]	48.11 [1221.99]	20.00 [508.00]	25.00 [635.00]

DRAWING REVISION	REVISION BY	DATE
C	CM	3-10-2014
ECO-0047108	DJK	3-10-2014

ECO DESCRIPTION
 UPDATED DRAWING - NMR-0053354
 COPYRIGHT REGAL BELOIT AMERICA, INC. ALL RIGHTS RESERVED.
 PROPRIETARY AND CONFIDENTIAL INFORMATION - THIS DOCUMENT IS THE PROPERTY OF REGAL BELOIT AMERICA, INC. ("OWNER") AND CONTAINS OWNER'S PROPRIETARY INFORMATION. ANY PERSON, CORPORATION OR OTHER FIRM RECEIVING IT IS DEEMED, BY RECEIVING IT, TO AGREE THAT IT, AND/OR ANY PART OF IT, SHALL NOT BE DISCLOSED TO ANY PERSON, CORPORATION OR OTHER ENTITY, DUPLICATED, AND/OR USED, EXCEPT AS EXPRESSLY APPROVED IN WRITING IN ADVANCE BY OWNER. THIS DOCUMENT SHALL BE RETURNED TO OWNER UPON REQUEST. IT MAY BE SUBJECT TO CERTAIN RESTRICTIONS UNDER APPLICABLE EXPORT CONTROL LAWS AND REGULATIONS.

TOLERANCES UNLESS OTHERWISE SPECIFIED:

DEC.	INCH	mm	ANGLE
.X	± 0.1	[± 2.5]	$\pm 0.5^\circ$
.XX	± 0.03	[± 0.76]	
.XXX	± 0.005	[± 0.127]	
.XXXX	± 0.0005	[± 0.0127]	

REMOVE BURRS & BREAK SHARP EDGES: .003/.015 [0.076/.381]
 CORNER FILLETS: .02 [0.51]
 MACHINED SURFACES: 125 $\sqrt{\text{INCH}}$ 3.2 $\sqrt{\text{mm}}$
 mm SHOWN IN [BRACKETS]

DRAWN BY	DATE
KL	06-12-1996
APPROVED BY	DATE
JL	06-12-1996
PROCESS/FINISH	DATE
THIRD ANGLE PROJECTION	DATE

REGAL™ Regal Beloit America, Inc.	
DESCRIPTION	OUTLINE 447-449TS FR. - STD.
MATERIAL	
SIZE	DRAWING NUMBER
B	SS515643
SHEET	1 OF 1



VIEW OF TERMINAL END

				TOLERANCES UNLESS SPECIFIED		REGAL REGAL - BELOIT CORPORATION	DRAWN RJW 02-11-2005				
				DEC.	INCHES		CHK	ML	02-11-2005		
				.X	±.1		APPD	GK	02-11-2005		
				.XX	±.02	TITLE CONNECTION DIAGRAM		SCALE			
D	CHANGED TO REGAL TITLE BLOCK	ECO-0108299	WGJ 08/22/2016	EMH	.XXX ±.005	12 LEAD- SINGLE VOLTAGE		REF			
1	ADDED IEC TERMINAL MARKINGS	CN 41429	JJB 05/24/2007	ML	.XXXX ±.0005	MAT'L.		FMF			
NO.	REVISION	BY & DATE	CHK	ANG	±7'30"	FINISH		PREV			
THIS DRAWING IN DESIGN AND DETAIL IS OUR PROPERTY AND MUST NOT BE USED EXCEPT IN CONNECTION WITH OUR WORK ALL RIGHTS OF DESIGN AND INVENTION ARE RESERVED THIS IS AN ELECTRONICALLY GENERATED DOCUMENT - DO NOT SCALE THIS PRINT						RFP 02-11-2005	CAD FILE ee7300bh	SIZE A	DRAWING NO. EE7300BH	PAGE OF	REV. C
						DIST LB					