

# PRODUCT INFORMATION PACKET

Model No: 449TSTFCD6005

Catalog No: GT1068

Globetrotter® General Purpose Motor, 250 & 200 HP, 3 Ph, 60 & 50 Hz, 460 & 380 V, 3600 & 3000 RPM,  
449TS Frame, TEFC



Regal and Marathon are trademarks of Regal Rexnord Corporation or one of its affiliated companies.

©2023 Regal Rexnord Corporation, All Rights Reserved. MC017097E

### Nameplate Specifications

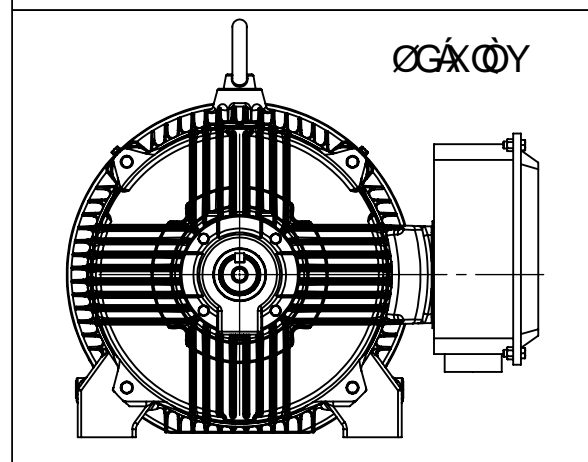
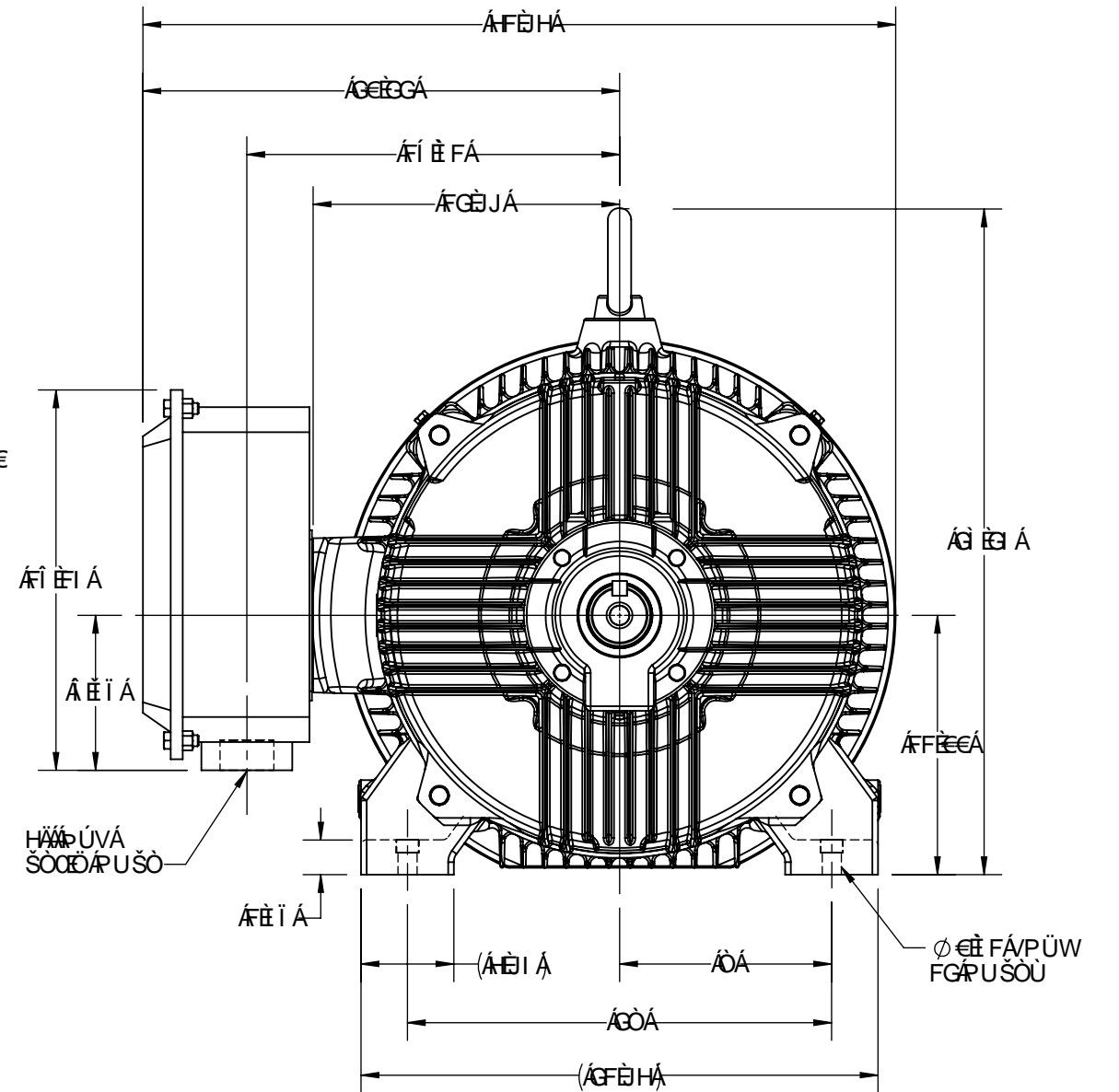
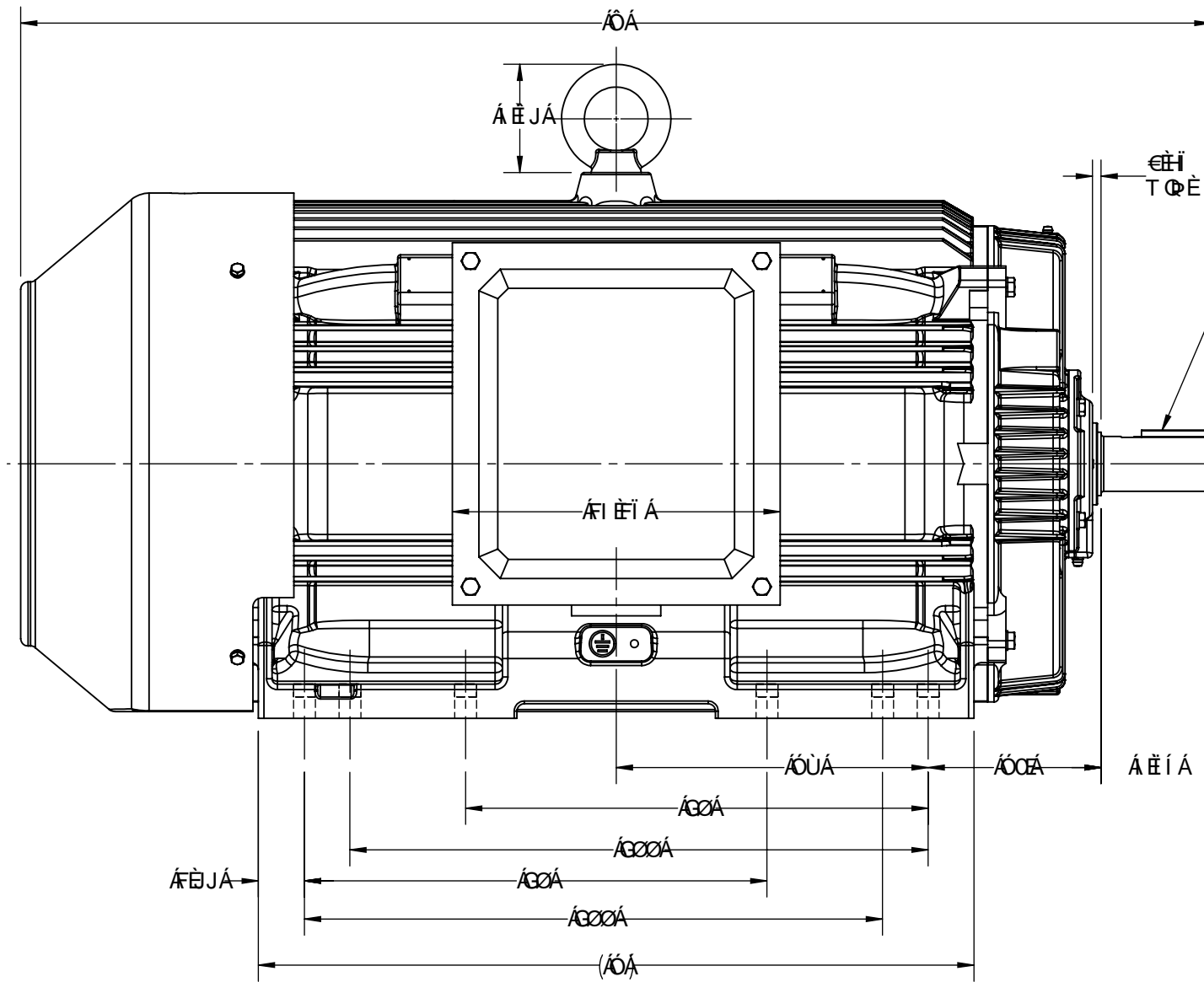
Phase	<b>3</b>	Output HP	<b>250 &amp; 200 Hp</b>
Output KW	<b>187.0 &amp; 149.0 kW</b>	Voltage	<b>460 &amp; 380 V</b>
Speed	<b>3580 &amp; 2980 rpm</b>	Service Factor	<b>1.15 &amp; 1.15</b>
Frame	<b>449TS</b>	Enclosure	<b>Totally Enclosed Fan Cooled</b>
Thermal Protection	<b>No Protection</b>	Efficiency	<b>95.8 &amp; 95.5 %</b>
Ambient Temperature	<b>40 °C</b>	Frequency	<b>60 &amp; 50 Hz</b>
Current	<b>266 &amp; 259 A</b>	Power Factor	<b>92</b>
Duty	<b>Continuous</b>	Insulation Class	<b>F</b>
Design Code	<b>B</b>	KVA Code	<b>G</b>
Drive End Bearing Size	<b>6314</b>	Opp Drive End Bearing Size	<b>6314</b>
UL	<b>Listed</b>	CSA	<b>Y</b>
CE	<b>Y</b>	IP Code	<b>55</b>
Number of Speeds	<b>1</b>	Hazardous Location	<b>DIVISION 2 T2B</b>

### Technical Specifications

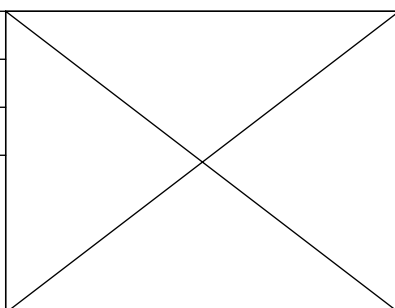
Electrical Type	<b>Squirrel Cage Inverter Rated</b>	Starting Method	<b>Part Wdg Start Or Inverter</b>
Poles	<b>2</b>	Rotation	<b>Reversible</b>
Resistance Main	<b>.0128 Ohms</b>	Mounting	<b>Rigid Base</b>
Motor Orientation	<b>Horizontal</b>	Drive End Bearing	<b>Ball</b>
Opp Drive End Bearing	<b>Ball</b>	Frame Material	<b>Cast Iron</b>
Shaft Type	<b>TS</b>	Shaft Diameter	<b>2.375 in</b>
Assembly/Box Mounting	<b>F1/F2 CAPABLE</b>	Inverter Load	<b>CONSTANT 2:1/VARIABLE 10:1</b>
Connection Drawing	<b>EE7341C</b>	Outline Drawing	<b>SS557012</b>

This is an uncontrolled document once printed or downloaded and is subject to change without notice. Date Created:06/22/2023

Ó	Ô	Ò	Ë	Ø	∅	Ø	Ó	Ô	T U W Š Ø
ΗΕΙ	Í È Ì	Ï Ē Ę	Ê Ē Ę	Ç Ē Ę	Ç Ē Ę	Ç Ē Ę	Ï Ē Ę	F Ē Ē	Ø Á Ü Å Ø



Ø	Ø	Ø
Ø	Ø	Ø
Ø		



Ø	Ø	Ø	Ø
Ø	Ø	Ø	Ø
Ø		Ø	
Ø		Ø	
Ø		Ø	

EE7341C

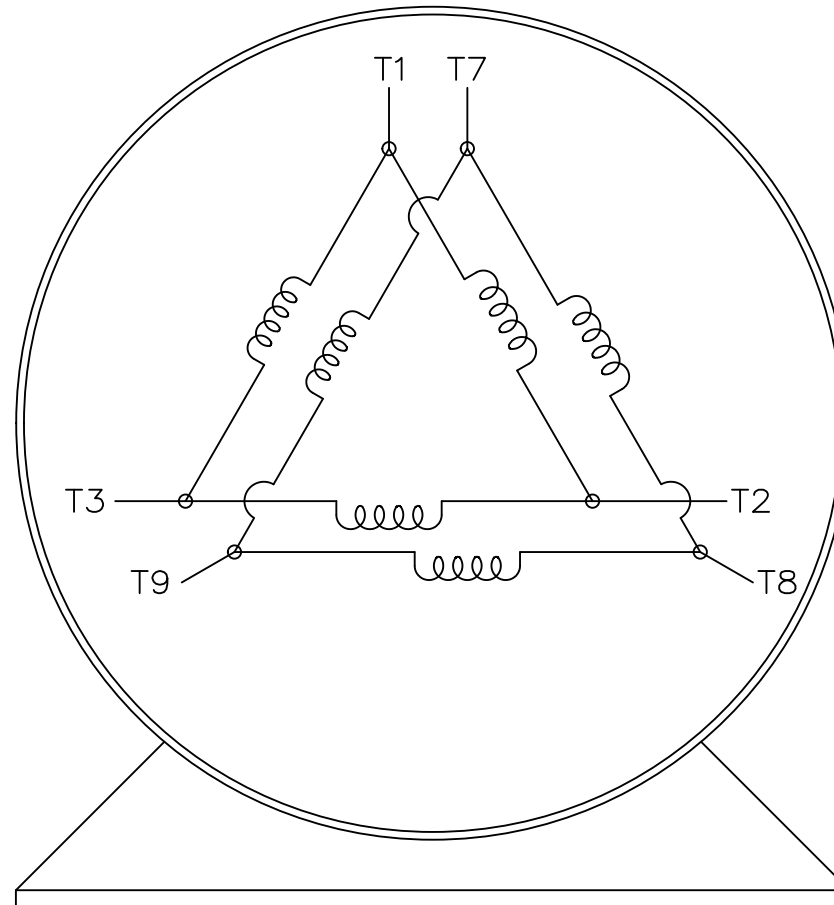
THREE PHASE – PART WINDING START  
DELTA – 6 LEADS

START

CONNECT T1 TO LINE 1  
CONNECT T2 TO LINE 2  
CONNECT T3 TO LINE 3  
T7-T8-T9 OPEN

RUN

CONNECT T1&T7 TO LINE 1  
CONNECT T2&T8 TO LINE 2  
CONNECT T3&T9 TO LINE 3



VIEW OF TERMINAL END

IF MOTOR HAS 2 T'S

START

CONNECT T1,T1 TO LINE 1  
CONNECT T2,T2 TO LINE 2  
CONNECT T3,T3 TO LINE 3  
T7,T7-T8,T8-T9,T9 OPEN

RUN

CONNECT T1,T1&T7,T7 TO LINE 1  
CONNECT T2,T2&T8,T8 TO LINE 2  
CONNECT T3,T3&T9,T9 TO LINE 3

		TOLERANCES UNLESS SPECIFIED		REGAL REGAL-BELOIT CORPORATION		DRAWN	BLR	03-09-1998
		DEC.	INCHES			CHK	ML	03-23-1998
		.X	± -	TITLE		APPD	GK	03-23-1998
		.XX	± -	CONNECTION DIAGRAM		SCALE 1=1		
		.XXX	± -	3ø - 6 LEADS		REF		
		EMH	.XXXX ± -	MAT'L.		FMF		
		CHK	ANG ± -	FINISH		PREV		
E	NOTE ADDED FOR 2 T'S	NAR	17-12-2020	RC	.XXX ± -			
D	RE-DRAWN WITH REGAL LOGO ECO-0110493	WGJ	09-30-2016	EMH	.XXXX ± -			
NO.	REVISION	BY & DATE		CHK	ANG ± -	FINISH		
THIS DRAWING IN DESIGN AND DETAIL IS OUR PROPERTY AND MUST NOT BE USED EXCEPT IN CONNECTION WITH OUR WORK ALL RIGHTS OF DESIGN AND INVENTION ARE RESERVED THIS IS AN ELECTRONICALLY GENERATED DOCUMENT - DO NOT SCALE THIS PRINT				RFP	CAD FILE EE7341C		SIZE	DRAWING NO. PAGE OF REV.
				DIST			A	EE7341C E

Data Sheet

Date: 9/15/2022  
 Customer: \_\_\_\_\_  
 Attention: \_\_\_\_\_  
 Submitted by: \_\_\_\_\_



449TSTFCD6005

Submittal

Data @ 460 V

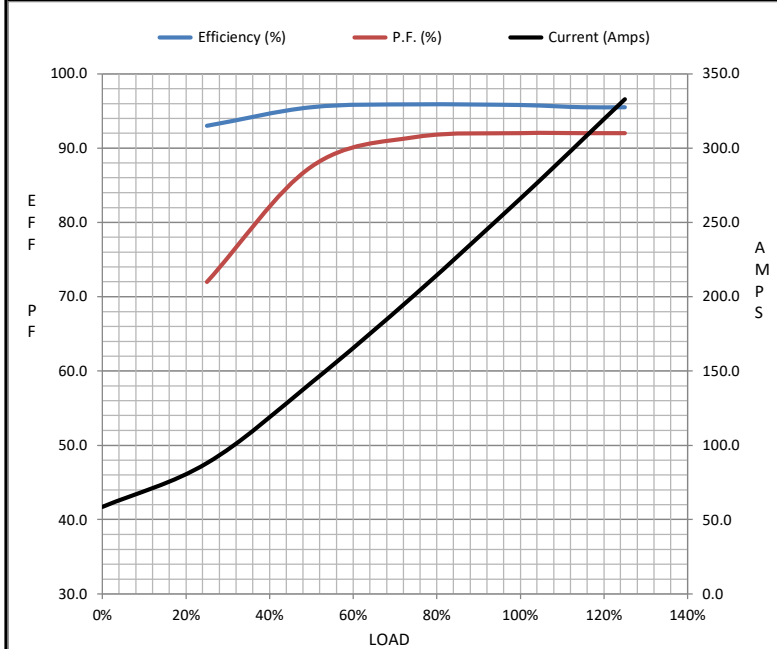
Motor Load Data

Load	0%	25%	50%	75%	100%	115%	125%	LR
Current (Amps)	58.5	88.0	142	202	266	306	333	1,880
Torque (ft-lb)	0.00	91.0	183	275	367	422	459	460
RPM	3600	3595	3590	3585	3580	3,576	3574	0
Efficiency (%)		93.0	95.5	95.9	95.8	95.5	95.5	
P.F. (%)	7.0	72.0	87.5	91.5	92.0	92.0	92.0	30.0

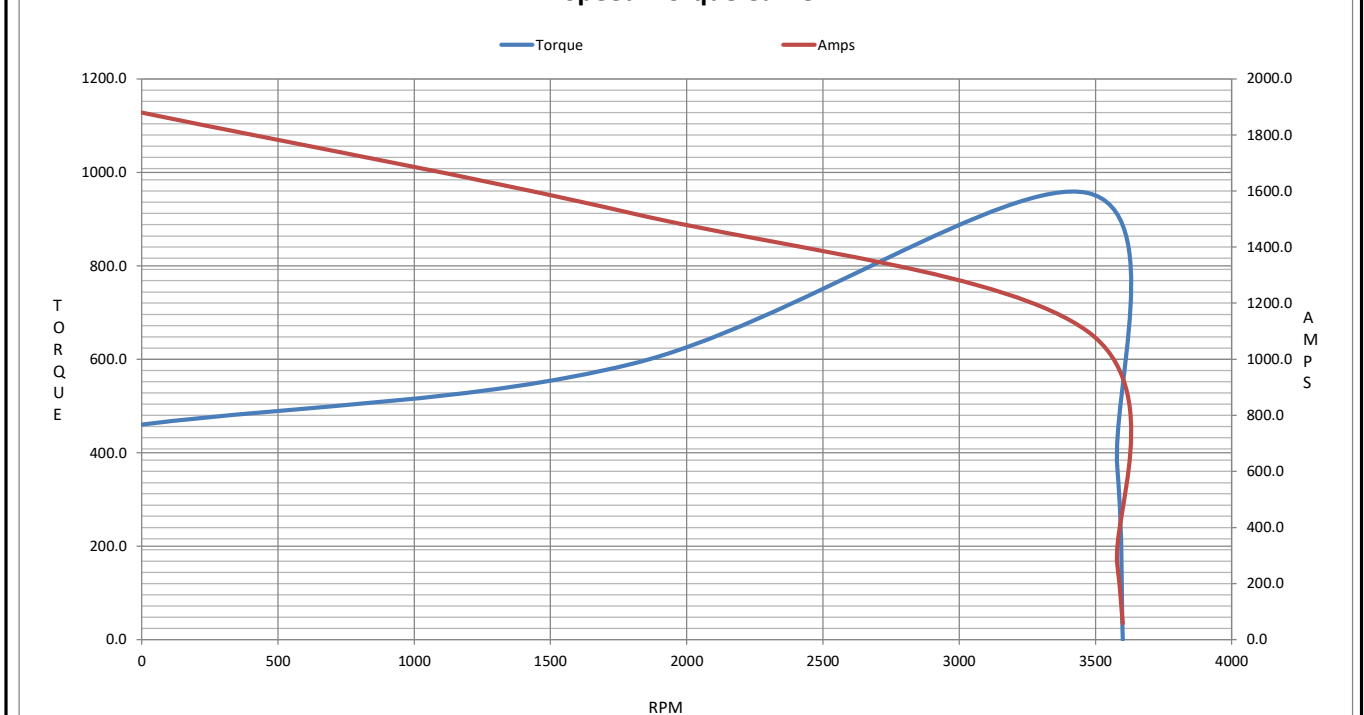
Motor Speed Data

	LR	Pull-Up	BD	Rated	Idle
Speed (RPM)	0	1800	3470	3580	3600
Current (Amps)	1,880	1,520	1,100	266	58.5
Torque (ft-lb)	460	590	956	367	0.00

Information Block				
HP	250.0			
Sync. RPM	3600			
Frame	449			
Enclosure	TEFC			
Construction	TFC			
Voltage	460#380 V			
Frequency	60 Hz			
Design	B			
LR Code letter	G			
Service Factor	1.15			
Temp Rise @ FL	75 °C			
Duty	CONT			
Ambient	40 °C			
Elevation	3,300 feet			
Rotor/Shaft wk <sup>2</sup>	48.9 Lb-Ft <sup>2</sup>			
Ref Wdg	HA32802019 NONE			
Sound Pressure @ 1M	85 dBA			
VFD Rating	CONSTANT 2:1/VARIABLE 10:1			
Outline Dwg				
Conn. Diag	EE7341C			
Additional Specifications:				
0				
0				
EQUIV CKT (OHMS / PHASE)				
R1	R2	X1	X2	Xm
0.0080	0.0060	0.0660	0.0760	4.4970



Speed - Torque Curve



## EC Declaration of Conformity

The undersigned representing  
the manufacturer:

Regal Beloit America  
100 East Randolph St.  
Wausau, WI 54401

and the authorized representative  
established within the Community:

Marathon Electric UK  
6F Thistleton Road Ind. Estate  
Market Overton  
Oakham, Rutland LE15 7PP UK

are committed to providing customers with products that comply with applicable regulations and international protocols to which they are subject, including the requirements of the European Parliament Directive on the Harmonization of the laws relating to electrical equipment designed for use within certain voltage limits (2014/35/EU).

Regal Beloit America declares that the following product(s), to which this declaration relates, are in conformity with the relevant sections of the EC standards listed below.

This statement supersedes any statements previously issued pertaining to the product(s) listed below and is subject to change without notice.

Model No : 449TSTFCD6005

(Model No. may contain prefix and/or suffix characters)

Catalog No : GT1068

Rework No : N/A

Directives :

Low Voltage Directive 2014/35/EU

Harmonized Standards Used :

EN 60034-1: 2010 (IEC 60034-1: 2010)

EN 60034-5: 2001/A1:2007 (IEC 60034-5: 2000/A1:2006)

Authorized Representative:



Michael A. Logsdon  
Vice President, Technology

Authorized Representative in the Community:



Julian Clark  
Marketing Engineer

Created on 09/01/2022

**CE 22**