

PRODUCT INFORMATION PACKET

marathon®
Motors

Model No: 449TSTDCD6001

Catalog No: GT00036

Globetrotter® General Purpose Motor, 400 & 350 HP, 3 Ph, 60 & 50 Hz, 460 & 380 V, 3600 & 3000 RPM,
449TS Frame, DP



Regal and Marathon are trademarks of Regal Rexnord Corporation or one of its affiliated companies.
©2024 Regal Rexnord Corporation, All Rights Reserved. MC017097E

RegalRexnord



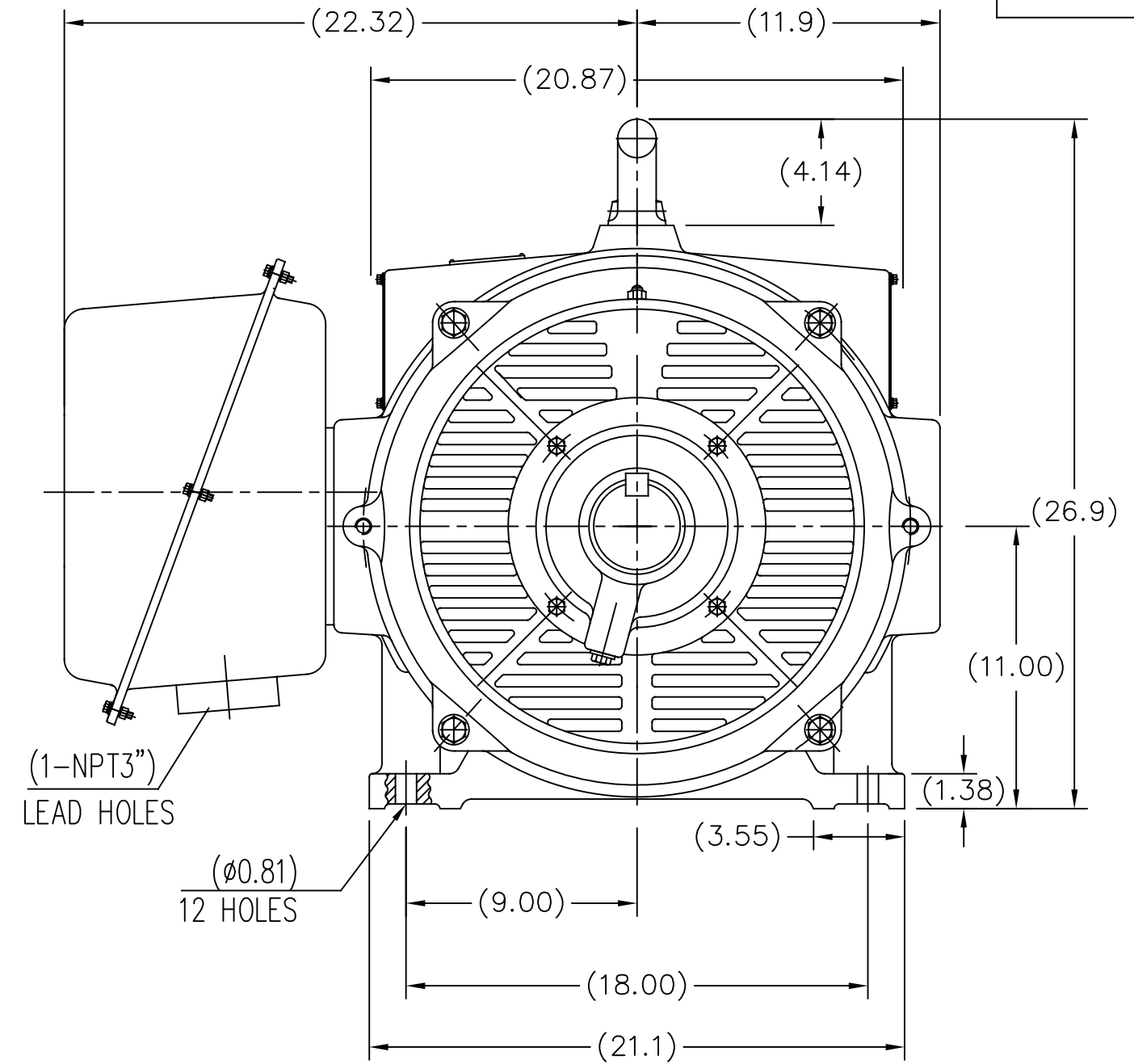
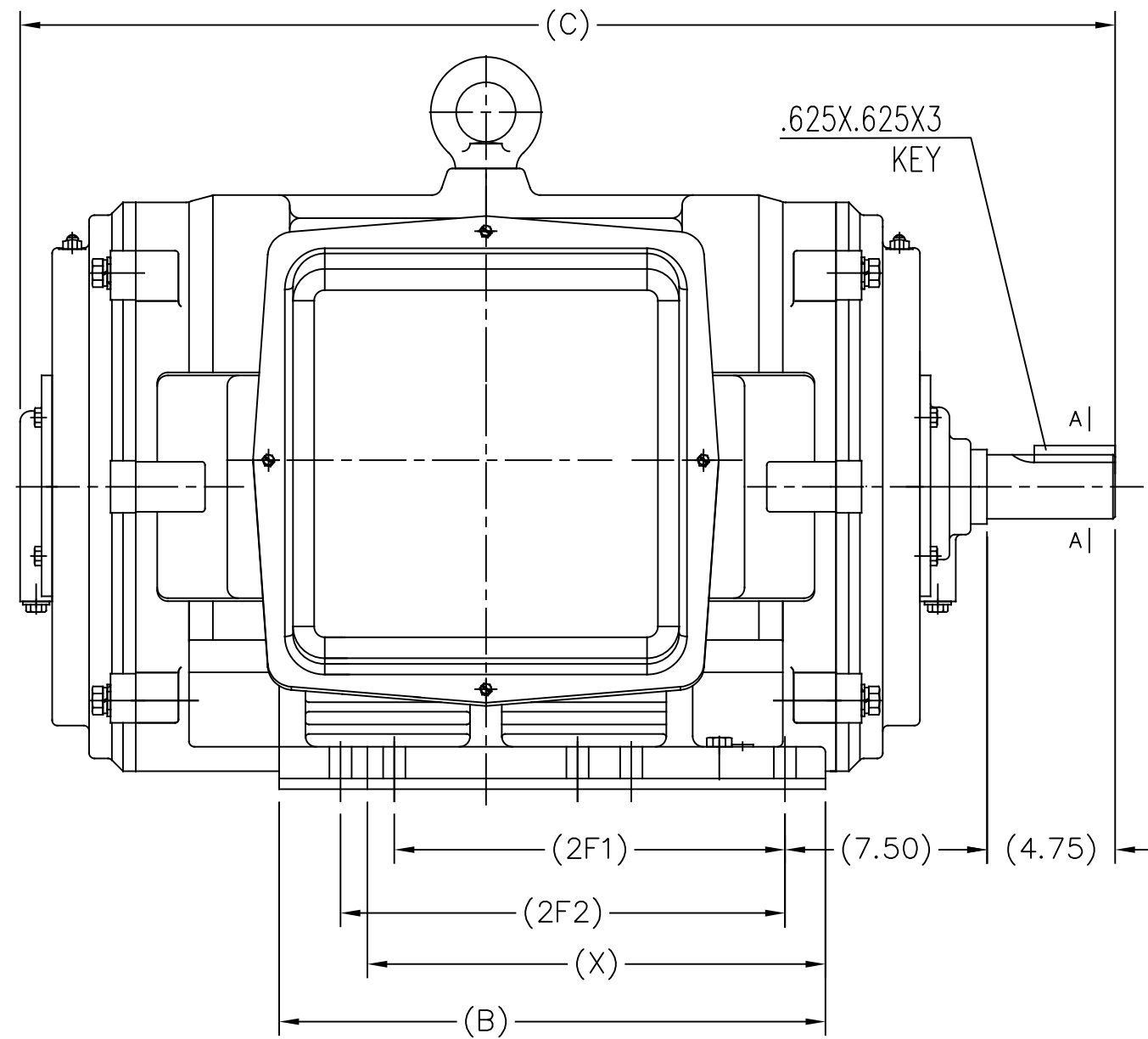
Nameplate Specifications

Phase	3	Output HP	400 & 350 Hp
Output KW	300.0 & 260.0 kW	Voltage	460 & 380 V
Speed	3579 & 2977 rpm	Service Factor	1.15 & 1.15
Frame	449TS	Enclosure	Drip Proof
Thermal Protection	No Protection	Efficiency	95.8 & 95.3 %
Ambient Temperature	40 °C	Frequency	60 & 50 Hz
Current	427 & 453 A	Power Factor	91.6
Duty	Continuous	Insulation Class	F
Design Code	B	KVA Code	G
Drive End Bearing Size	6314	Opp Drive End Bearing Size	6314
UL	Recognized	CSA	Y
CE	Y	IP Code	22
Number of Speeds	1		

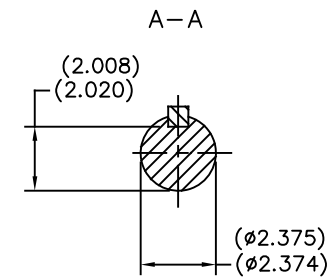
Technical Specifications

Electrical Type	Squirrel Cage Inverter Rated	Starting Method	Part Wdg Start & Wye Start Delta Run Or Inverter
Poles	2	Rotation	Reversible
Resistance Main	.0099 Ohms	Mounting	Rigid Base
Motor Orientation	Horizontal	Drive End Bearing	Ball
Opp Drive End Bearing	Ball	Frame Material	Cast Iron
Shaft Type	TS	Shaft Diameter	2.375 in
Assembly/Box Mounting	F1/F2 CAPABLE	Inverter Load	VARIABLE 10:1
Connection Drawing	EE7300BH	Outline Drawing	SS620756-200

This is an uncontrolled document once printed or downloaded and is subject to change without notice. Date Created:10/18/2024



PRELIMINARY



444TS					
445TS	40.83	20.28	14.5	16.5	17.00
447TS					
449TS	45.95	25.28	20	25	22.00
Frame	C	B	2F1	2F2	X

		TOLERANCES UNLESS SPECIFIED		REGAL REGAL-BELOIT CORPORATION		DRAWN C.OHRMUNDT	
		DEC.	INCHES			CHK	
		.X	±.1	TITLE		APPD	
		.XX	±.03	444/445/447/449TS FR-ODP-CAST IRON		SCALE NONE	
		.XXX	±.005	MAT'L.		REF	
		.XXXX	±.0005	FINISH		FMF WUXI	
NO.	REVISION	BY & DATE	CHK	ANG	±7'30"	PREV	
THIS DRAWING IN DESIGN AND DETAIL IS OUR PROPERTY AND MUST NOT BE USED EXCEPT IN CONNECTION WITH OUR WORK ALL RIGHTS OF DESIGN AND INVENTION ARE RESERVED THIS IS AN ELECTRONICALLY GENERATED DOCUMENT - DO NOT SCALE THIS PRINT				RFP	CAD FILE SS620756-SKT	SIZE B	DRAWING NO. PAGE 1 OF 1 REV. SS620756-SKT
				DIST			



VIEW OF TERMINAL END

				TOLERANCES UNLESS SPECIFIED		REGAL REGAL - BELOIT CORPORATION	DRAWN RJW 02-11-2005			
				DEC.	INCHES		CHK	ML	02-11-2005	
				.X	±.1		APPD	GK	02-11-2005	
				.XX	±.02	TITLE CONNECTION DIAGRAM		SCALE		
D	CHANGED TO REGAL TITLE BLOCK	ECO-0108299	WGJ 08/22/2016	EMH	.XXX ±.005	12 LEAD- SINGLE VOLTAGE		REF		
1	ADDED IEC TERMINAL MARKINGS	CN 41429	JJB 05/24/2007	ML	.XXXX ±.0005	MAT'L.		FMF		
NO.	REVISION	BY & DATE	CHK	ANG	±7'30"	FINISH		PREV		
THIS DRAWING IN DESIGN AND DETAIL IS OUR PROPERTY AND MUST NOT BE USED EXCEPT IN CONNECTION WITH OUR WORK ALL RIGHTS OF DESIGN AND INVENTION ARE RESERVED THIS IS AN ELECTRONICALLY GENERATED DOCUMENT - DO NOT SCALE THIS PRINT				RFP	02-11-2005	CAD FILE ee7300bh	SIZE	DRAWING NO.	PAGE OF	REV.
				DIST	LB		A	EE7300BH		C

Data Sheet

Date: 10/19/2022
 Customer: _____
 Attention: _____
 Submitted by: _____



449TSTDCD6001

Submittal

Data @ **460 V**

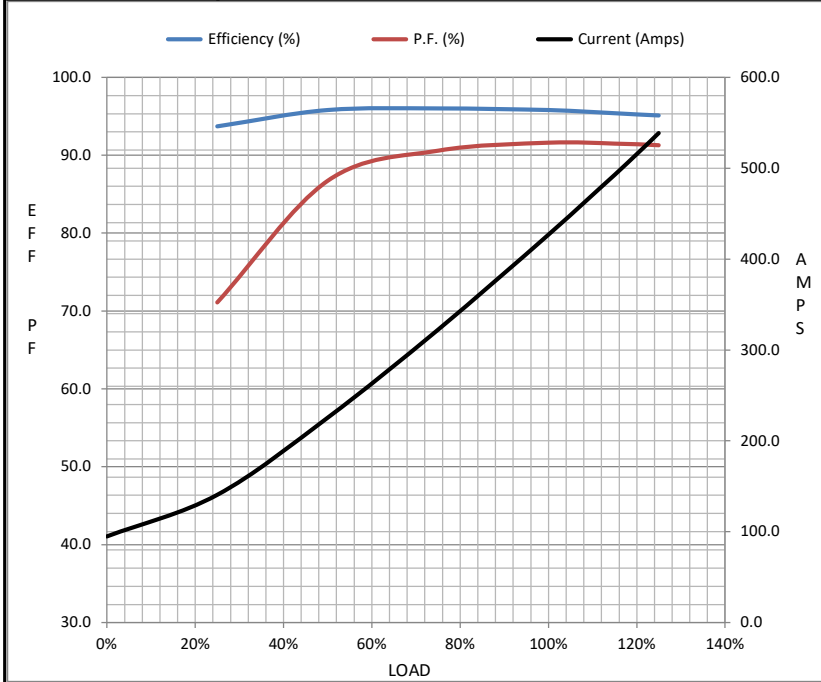
Motor Load Data

Load	0%	25%	50%	75%	100%	115%	125%	LR
Current (Amps)	94.8	141	226	323	427	493	539	2,800
Torque (ft-lb)	0.00	146	293	440	587	675	735	1,040
RPM	3600	3595	3590	3585	3579	3,576	3573	0
Efficiency (%)		93.7	95.8	96.0	95.8	95.4	95.1	
P.F. (%)	5.9	71.1	86.7	90.6	91.6	91.5	91.3	31.0

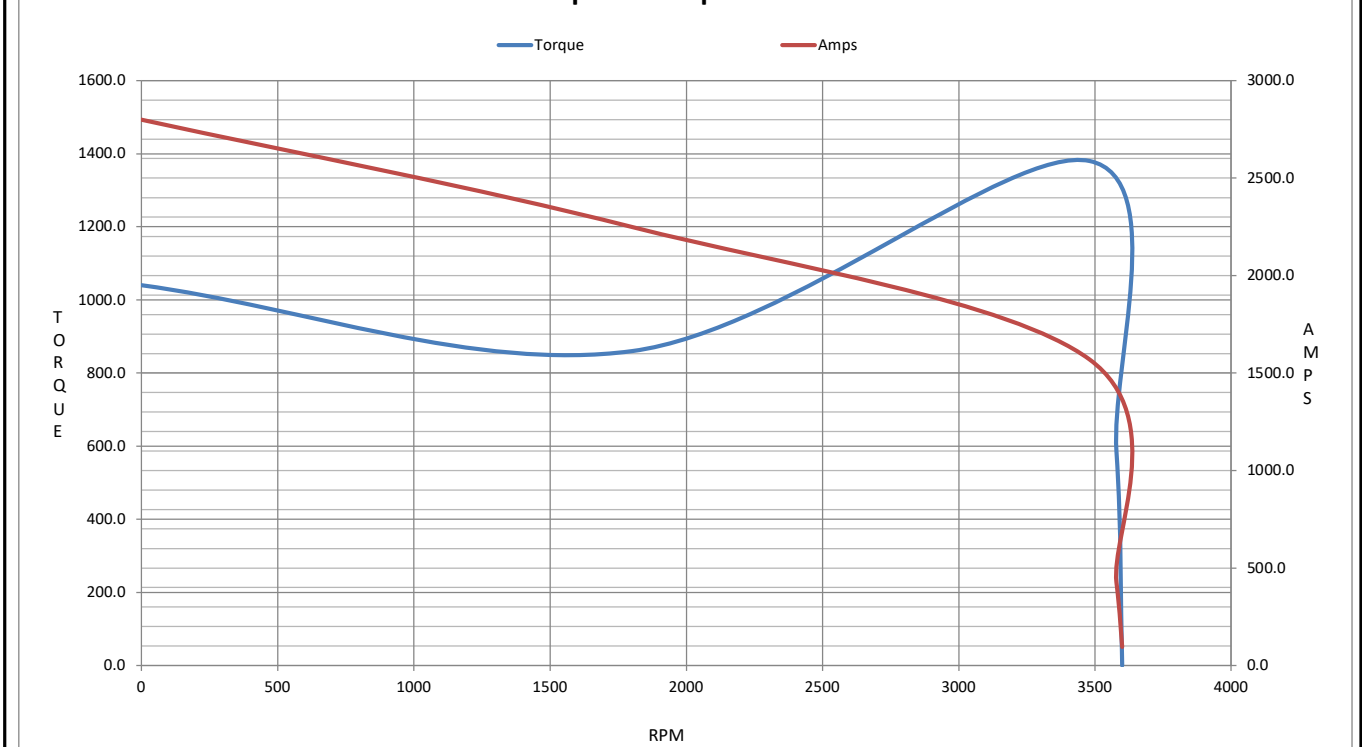
Motor Speed Data

	LR	Pull-Up	BD	Rated	Idle
Speed (RPM)	0	1800	3480	3579	3600
Current (Amps)	2,800	2,250	1,570	427	94.8
Torque (ft-lb)	1,040	860	1,380	587	0.00

Information Block				
HP	400.0			
Sync. RPM	3600			
Frame	449			
Enclosure	DP			
Construction	TDC			
Voltage	460#380 V			
Frequency	60 Hz			
Design	B			
LR Code letter	G			
Service Factor	1.15			
Temp Rise @ FL	75 ° C			
Duty	CONT			
Ambient	40 ° C			
Elevation	3,300 feet			
Rotor/Shaft wk ²	40.0 Lb-Ft ²			
Ref Wdg	HA32802027 NONE			
Sound Pressure @ 1M	86 dBA			
VFD Rating	VARIABLE 10:1			
Outline Dwg	SS620756-200			
Conn. Diag	EE7300BH			
Additional Specifications:				
0				
0				
EQUIV CKT (OHMS / PHASE)				
R1	R2	X1	X2	Xm
0.0060	0.0040	0.0500	0.0800	2.8080



Speed - Torque Curve



EC Declaration of Conformity

The undersigned representing
the manufacturer:

Regal Beloit America
100 East Randolph St.
Wausau, WI 54401

and the authorized representative
established within the Community:

Marathon Electric UK
6F Thistleton Road Ind. Estate
Market Overton
Oakham, Rutland LE15 7PP UK

are committed to providing customers with products that comply with applicable regulations and international protocols to which they are subject, including the requirements of the European Parliament Directive on the Harmonization of the laws relating to electrical equipment designed for use within certain voltage limits (2014/35/EU).

Regal Beloit America declares that the following product(s), to which this declaration relates, are in conformity with the relevant sections of the EC standards listed below.

This statement supersedes any statements previously issued pertaining to the product(s) listed below and is subject to change without notice.

Model No : 449TSTDCD6001

(Model No. may contain prefix and/or suffix characters)

Catalog No : GT00036

Rework No : N/A

Directives :

Low Voltage Directive 2014/35/EU

Harmonized Standards Used :

EN 60034-1: 2010 (IEC 60034-1: 2010)

EN 60034-5: 2001/A1:2007 (IEC 60034-5: 2000/A1:2006)

Authorized Representative:



Michael A. Logsdon
Vice President, Technology

Authorized Representative in the Community:



Julian Clark
Marketing Engineer

Created on 09/01/2022

CE 22