

PRODUCT INFORMATION PACKET



Model No: 449THDN17331
Catalog No: 449THDN17331
400,1800,DPFV,449T,3/60/460

Regal and Marathon are trademarks of Regal Rexnord Corporation or one of its affiliated companies.
©2023 Regal Rexnord Corporation, All Rights Reserved. MC017097E



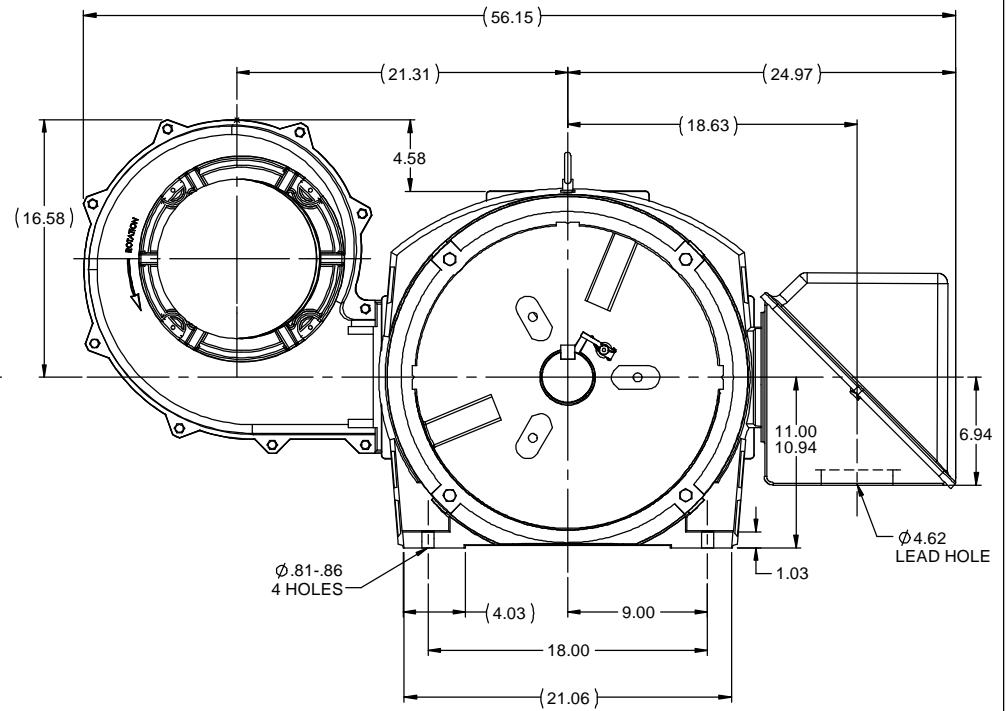
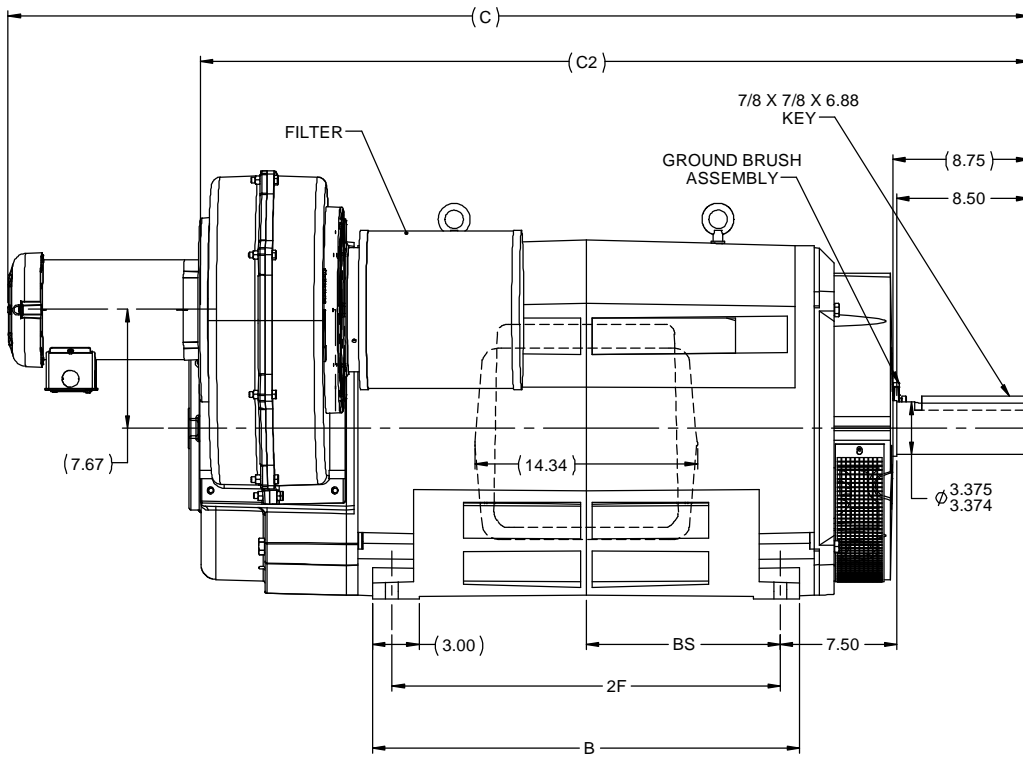
Nameplate Specifications

| | | | |
|------------------------|-------------------|----------------------------|---------------|
| Phase | 3 | Output HP | 400 Hp |
| Output KW | 300.0 kW | Voltage | 460 V |
| Speed | 1785 rpm | Service Factor | 1 |
| Frame | 449T | Enclosure | DPFV |
| Thermal Protection | Thermostat | Efficiency | 95.4 % |
| Ambient Temperature | 40 °C | Frequency | 60 Hz |
| Current | 438.0 A | Power Factor | 89 |
| Duty | Continuous | Insulation Class | F |
| Design Code | A | KVA Code | H |
| Drive End Bearing Size | 6319 | Opp Drive End Bearing Size | 6314 |
| UL | Recognized | CSA | Y |
| CE | Y | IP Code | 12 |
| Number of Speeds | 1 | | |

Technical Specifications

| | | | |
|-----------------------|------------------------------------|-----------------------|----------------------|
| Electrical Type | Squirrel Cage Inverter Duty | Starting Method | Inverter Only |
| Poles | 4 | Rotation | Reversible |
| Resistance Main | .011 Ohms | Mounting | Rigid Base |
| Motor Orientation | Horizontal | Drive End Bearing | Ball |
| Opp Drive End Bearing | Ball | Frame Material | Cast Iron |
| Shaft Type | T | Assembly/Box Mounting | F2/F1 CAPABLE |
| Outline Drawing | B-SS555216-2938 | Connection Drawing | A-EE7300T |

This is an uncontrolled document once printed or downloaded and is subject to change without notice. Date Created:08/24/2023



- NOTES:
 1. CONDUIT BOX CAN BE ROTATED IN 90 ° STEPS.
 2. NAMEPLATE TO BE READ FROM CONDUIT BOX SIDE OF MOTOR.

| DASH | FRAME | B | C | C2 | 2F | BS |
|------|-------|-------|-------|-------|-------|-------|
| 2438 | 447T | 22.50 | 60.73 | 48.31 | 20.00 | 10.00 |
| 2938 | 449T | 27.50 | 65.73 | 53.31 | 25.00 | 12.50 |

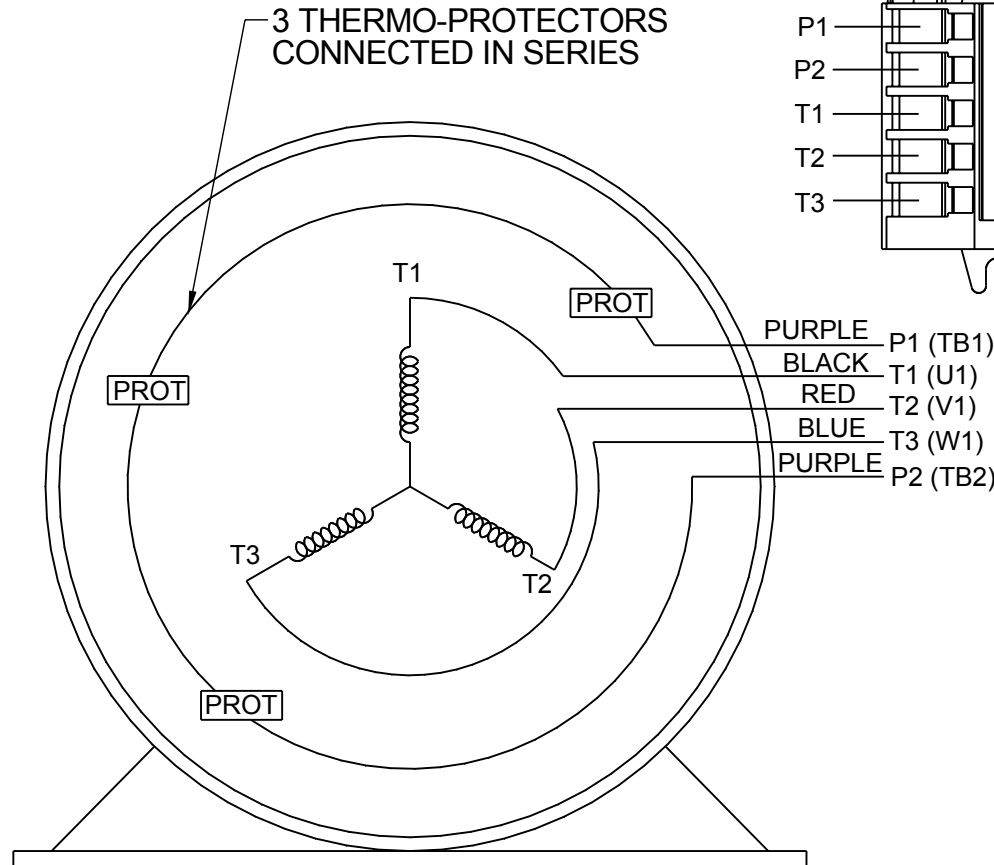
| TOLERANCES UNLESS SPECIFIED | | marathon [®] electric | | DRAWN | HV 05-25-12 |
|-----------------------------|----------|--------------------------------|-------------------|----------------------------------|--------------|
| DEC | INCHES | | | CHK | MH 05-30-12 |
| X | ±.1 | | | APPR | DJK 05-30-12 |
| XX | ±.03 | TITLE | | OUTLINE - F1 BLOWER - GRD. BRUSH | |
| XXX | ±.005 | | | REF | |
| XXXX | ±.0005 | MATERIAL | | FMF | |
| | | FINISH | | PAGE OF | |
| NO | REVISION | BY & DATE | CHK LANG ±7°30' | PREV | |
| THIRD ANGLE PROJECTION | | | NETWORK FILE NAME | SS555216 | SIZE |
| | | | | DRAWING NO | SS555216 |
| | | | | REV | |

**THREE PHASE - SINGLE VOLTAGE
MOTOR - CONDUIT BOX @ 'A'**

**TO REVERSE ROTATION:
INTERCHANGE ANY TWO LINE
LEAD CONNECTIONS**

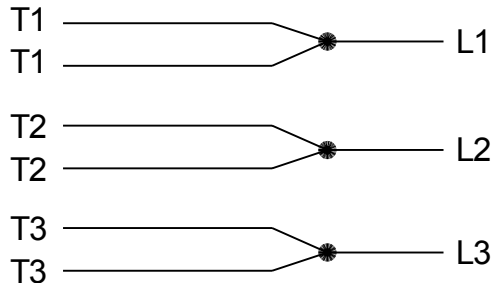
**NOTE FOR FACTORY USE ONLY:
TO SURGE TEST:
FOR 3 LEAD COMMON CONNECT:
CONNECT P1 TO T1 THEN P2 TO L1
FOR 6 LEAD COMMON CONNECT:
CONNECT P1 TO BOTH T1
THEN P2 TO L1**

TERMINAL BLOCK WHEN SPECIFIED



VIEW OF TERMINAL END

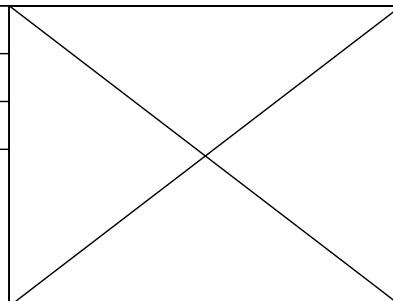
**IF MOTOR HAS MULTIPLE
T'S PER LEAD CONNECT
TOGETHER LIKE T'S**



A-9806 DECAL

- T2BM
- T6AW
- T6AL
- T6Z
- T4EG
- T4BF
- T8A
- T6H
- T6A
- T4AX
- T4A
- T2A
- T2F

| | | |
|---|----------------------|--------------------|
| DRAWING REVISION AB | REVISION BY AJW | DATE 07-17-2015 |
| ECO ECO-0081632 | APPROVED BY T.VUE | DATE 07-17-2015 |
| ECO DESCRIPTION REV'D IEC MARKINGS PER IEC-60034-8 | | |
| <small>COPYRIGHT REGAL BELOIT AMERICA, INC. ALL RIGHTS RESERVED. PROPRIETARY AND CONFIDENTIAL INFORMATION - THIS DOCUMENT IS THE PROPERTY OF REGAL BELOIT AMERICA, INC. ("OWNER") AND CONTAINS OWNER'S PROPRIETARY INFORMATION. ANY PERSON, CORPORATION OR OTHER FIRM RECEIVING IT IS DEEMED, BY RECEIVING IT, TO AGREE THAT IT, AND/OR ANY PART OF IT, SHALL NOT BE DISCLOSED TO ANY PERSON, CORPORATION OR OTHER ENTITY, DUPLICATED, AND/OR USED, EXCEPT AS EXPRESSLY APPROVED IN WRITING IN ADVANCE BY OWNER. THIS DOCUMENT SHALL BE RETURNED TO OWNER UPON REQUEST. IT MAY BE SUBJECT TO CERTAIN RESTRICTIONS UNDER APPLICABLE EXPORT CONTROL LAWS AND REGULATIONS.</small> | | |



| |
|---------------------------|
| DRAWN BY LZ |
| DATE 01-04-1994 |
| APPROVED BY GK |
| DATE 01-20-1994 |
| REFERENCE |
| THIRD ANGLE PROJECTION |

| | |
|--|----------------------------------|
| REGAL ™ Regal Beloit America, Inc. | |
| DESCRIPTION CONN DIAGRAM-EXTERNAL 3Ø-SINGLE VOLT-MOTOR WITH PROTECTOR | |
| MATERIAL | PROCESS/FINISH |
| SIZE A | DRAWING NUMBER EE7300T |
| SHEET 1 OF 1 | |