

# PRODUCT INFORMATION PACKET

**marathon®**  
Motors

Model No: 447TTFCD6039

Catalog No: GT1155A

Globetrotter® General Purpose Motor, 200 HP, 3 Ph, 60 Hz, 575 V, 1800 RPM, 447T Frame, TEFC



Regal and Marathon are trademarks of Regal Rexnord Corporation or one of its affiliated companies.  
©2023 Regal Rexnord Corporation, All Rights Reserved. MC017097E

**RegalRexnord**

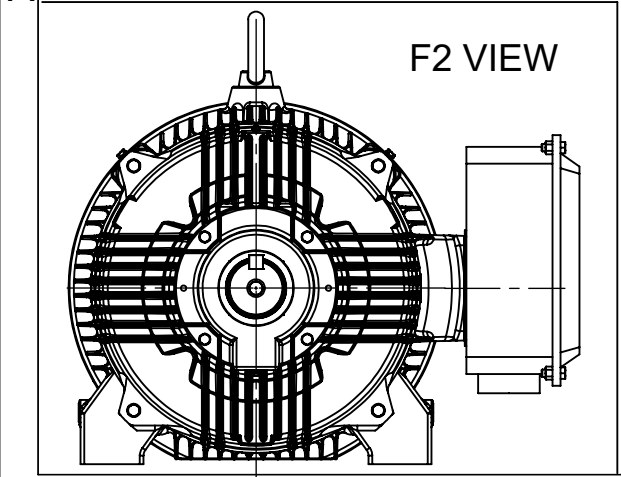
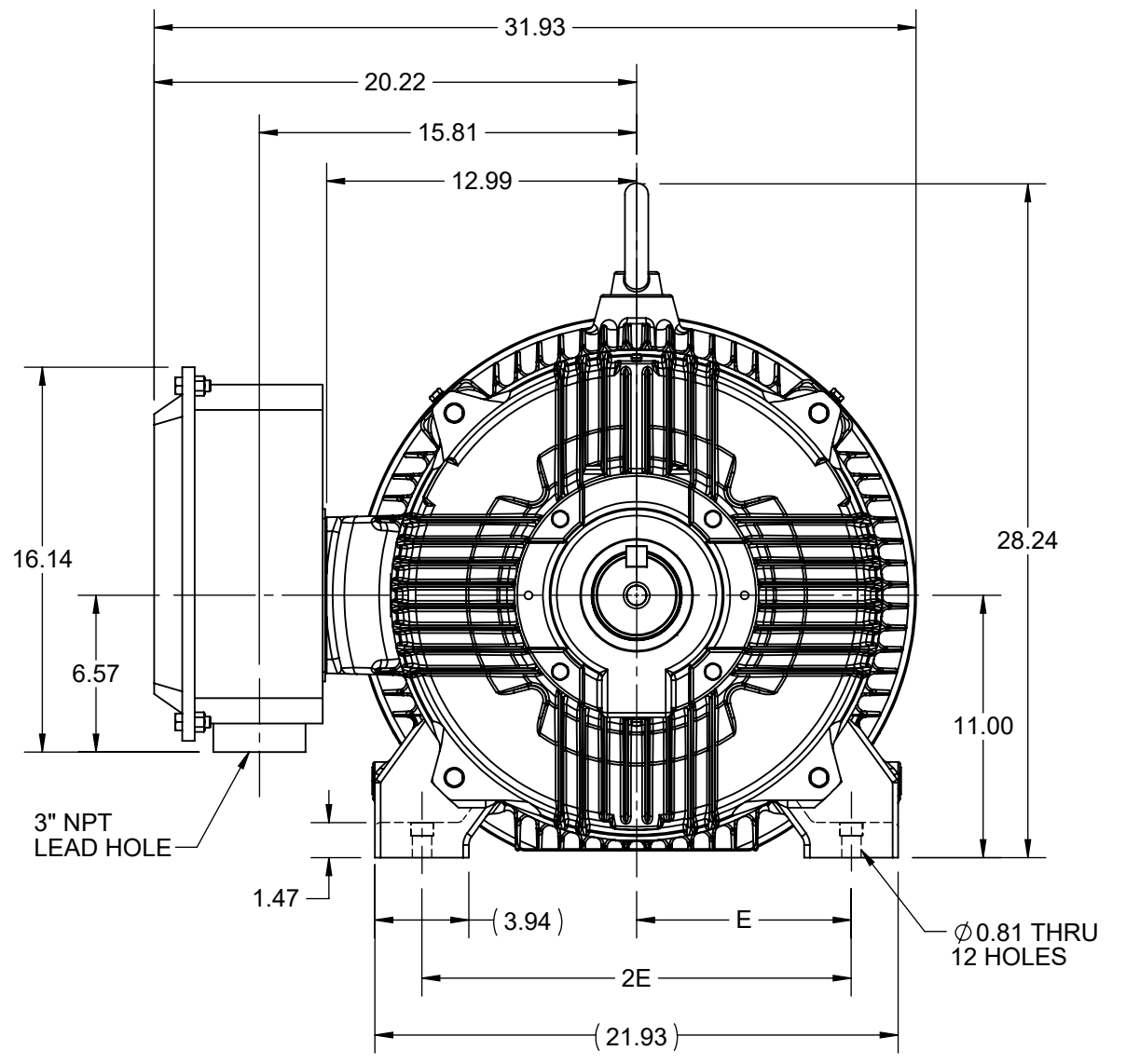
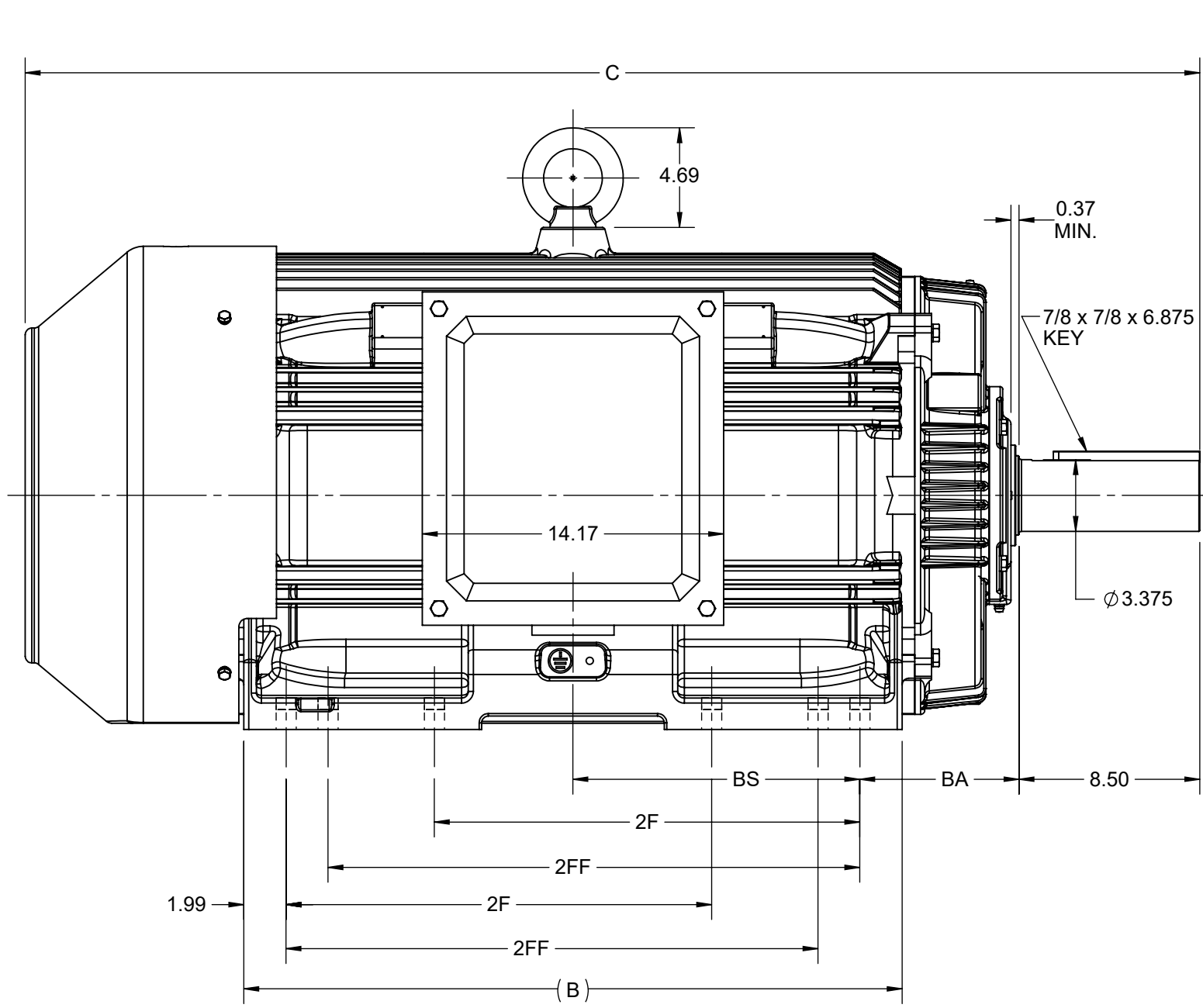
### Nameplate Specifications

|                        |                       |                            |                                    |
|------------------------|-----------------------|----------------------------|------------------------------------|
| Output HP              | <b>200 Hp</b>         | Output KW                  | <b>149.0 kW</b>                    |
| Frequency              | <b>60 Hz</b>          | Voltage                    | <b>575 V</b>                       |
| Current                | <b>175.0 A</b>        | Speed                      | <b>1790 rpm</b>                    |
| Service Factor         | <b>1.15</b>           | Phase                      | <b>3</b>                           |
| Efficiency             | <b>96.5 %</b>         | Power Factor               | <b>88.5</b>                        |
| Duty                   | <b>Continuous</b>     | Insulation Class           | <b>F</b>                           |
| Design Code            | <b>B</b>              | KVA Code                   | <b>G</b>                           |
| Frame                  | <b>447T</b>           | Enclosure                  | <b>Totally Enclosed Fan Cooled</b> |
| Thermal Protection     | <b>No Protection</b>  | Ambient Temperature        | <b>40 °C</b>                       |
| Drive End Bearing Size | <b>6319</b>           | Opp Drive End Bearing Size | <b>6317</b>                        |
| UL                     | <b>Listed</b>         | CSA                        | <b>Y</b>                           |
| CE                     | <b>Y</b>              | IP Code                    | <b>55</b>                          |
| Hazardous Location     | <b>DIVISION 2 T2B</b> | Number of Speeds           | <b>1</b>                           |

### Technical Specifications

|                       |                                    |                       |                        |
|-----------------------|------------------------------------|-----------------------|------------------------|
| Electrical Type       | <b>Squirrel Cage Induction Run</b> | Starting Method       | <b>Across The Line</b> |
| Poles                 | <b>4</b>                           | Rotation              | <b>Reversible</b>      |
| Resistance Main       | <b>.0184 Ohms</b>                  | Mounting              | <b>Rigid Base</b>      |
| Motor Orientation     | <b>Horizontal</b>                  | Drive End Bearing     | <b>Ball</b>            |
| Opp Drive End Bearing | <b>Ball</b>                        | Frame Material        | <b>Cast Iron</b>       |
| Shaft Type            | <b>T</b>                           | Overall Length        | <b>55.21 in</b>        |
| Frame Length          | <b>32.12 in</b>                    | Shaft Diameter        | <b>3.375 in</b>        |
| Shaft Extension       | <b>8.5 in</b>                      | Assembly/Box Mounting | <b>F1/F2 CAPABLE</b>   |
| Outline Drawing       | <b>SS557013</b>                    | Connection Drawing    | <b>EE7300</b>          |

|       |       |      |       |       |       |      |       |          |   |  |  |
|-------|-------|------|-------|-------|-------|------|-------|----------|---|--|--|
| 4     |       |      | 3     |       |       | 2    |       |          | 1 |  |  |
| B     | C     | E    | 2E    | 2F    | 2FF   | BA   | BS    | MOUNTING |   |  |  |
| 30.94 | 55.21 | 9.00 | 18.00 | 20.00 | 25.00 | 7.50 | 13.48 | F1 OR F2 |   |  |  |



|   |                      |                               |
|---|----------------------|-------------------------------|
| DRAWING REVISION<br>D   | REVISION BY<br>BISWA | REV DATE/© DATE<br>13/01/2021 |
| ECO<br>CR-0000557   | APPROVED BY<br>GNK   | DATE<br>13/01/2021            |
| ECO DESCRIPTION<br><b>DRAWING UPDATED</b>   |                      |                               |
| <small>COPYRIGHT (PER REVISION DATE) REGAL BELOIT AMERICA, INC. ALL RIGHTS RESERVED. PROPRIETARY AND CONFIDENTIAL INFORMATION - THIS DOCUMENT IS THE PROPERTY OF REGAL BELOIT AMERICA, INC. ("OWNER") AND CONTAINS OWNER'S PROPRIETARY INFORMATION. ANY PERSON, CORPORATION OR OTHER FIRM RECEIVING IT IS DEEMED, BY RECEIVING IT, TO AGREE THAT IT, AND/OR ANY PART OF IT, SHALL NOT BE DISCLOSED TO ANY PERSON, CORPORATION OR OTHER ENTITY, DUPLICATED, AND/OR USED, EXCEPT AS EXPRESSLY APPROVED IN WRITING IN ADVANCE BY OWNER. THIS DOCUMENT SHALL BE RETURNED TO OWNER UPON REQUEST. IT MAY BE SUBJECT TO CERTAIN RESTRICTIONS UNDER APPLICABLE EXPORT CONTROL LAWS AND REGULATIONS.</small> |                      |                               |

PRIMARY DIMENSIONS ARE INCH  
mm DIMENSIONS IN [BRACKETS]  
ARE FOR REFERENCE ONLY

|                        |   |
|------------------------|---|
| DRAWN BY<br>NIV        | <b>REGAL</b> ® Regal Beloit America, Inc.         |
| DATE<br>23/05/2016     |   |
| APPROVED BY<br>SBD     | DESCRIPTION<br><b>OUTLINE</b><br>447/449T FR-TEFC |
| DATE<br>23/05/2016     | MATERIAL  |
| REFERENCE              | PROCESS/FINISH                                    |
| THIRD ANGLE PROJECTION | SIZE<br>B   |
|                        | DRAWING NUMBER<br>SS557013                        |
|                        | SHEET<br>1 OF 1                                   |

THREE PHASE - SINGLE VOLTAGE  
MOTOR - CONDUIT BOX @ 'A'

TERMINAL BLOCK WHEN SPECIFIED

TO REVERSE ROTATION:  
INTERCHANGE ANY TWO LINE  
LEAD CONNECTIONS



VIEW OF TERMINAL END

**OPTIONAL CORD CONNECTION**

|    |       |
|----|-------|
| L1 | WHITE |
| L2 | RED   |
| L3 | BLACK |

|   |                   |                               |
|---|-------------------|-------------------------------|
| DRAWING REVISION<br>AC  | REVISION BY<br>BS | REV DATE/© DATE<br>26/07/2022 |
| REQUEST NUMBER<br>CR-0010402  | APPROVED BY<br>SN | DATE<br>26/07/2022            |
| REQUEST NUMBER DESCRIPTION<br>DRAWING UPDATED   |                   |                               |
| <small>COPYRIGHT (PER REVISION DATE) REGAL BELOIT AMERICA, INC. ALL RIGHTS RESERVED. PROPRIETARY AND CONFIDENTIAL INFORMATION - THIS DOCUMENT IS THE PROPERTY OF REGAL BELOIT AMERICA, INC. ("OWNER") AND CONTAINS OWNER'S PROPRIETARY INFORMATION. ANY PERSON, CORPORATION OR OTHER FIRM RECEIVING IT IS DEEMED, BY RECEIVING IT, TO AGREE THAT IT, AND/OR ANY PART OF IT, SHALL NOT BE DISCLOSED TO ANY PERSON, CORPORATION OR OTHER ENTITY, DUPLICATED, AND/OR USED, EXCEPT AS EXPRESSLY APPROVED IN WRITING IN ADVANCE BY OWNER. THIS DOCUMENT SHALL BE RETURNED TO OWNER UPON REQUEST. IT MAY BE SUBJECT TO CERTAIN RESTRICTIONS UNDER APPLICABLE EXPORT CONTROL LAWS AND REGULATIONS.</small> |                   |                               |

PRIMARY DIMENSIONS ARE INCH  
mm DIMENSIONS IN [BRACKETS]  
ARE FOR REFERENCE ONLY

|                        |
|------------------------|
| DRAWN BY<br>DA         |
| DATE<br>03-26-1993     |
| APPROVED BY<br>TB      |
| DATE<br>03-26-1993     |
| REFERENCE              |
| THIRD ANGLE PROJECTION |

|  |                                 |                            |                 |
|--|---------------------------------|----------------------------|-----------------|
|  |                                 | Regal Beloit America, Inc. |                 |
| DESCRIPTION<br><b>CONNECTION DIAGRAM</b><br>EXTERNAL - SINGLE VOLTAGE - 3Ø MOTOR |                                 |                            |                 |
| MATERIAL   |                                 | PROCESS/FINISH             |                 |
| SIZE<br><b>A</b>   | DRAWING NUMBER<br><b>EE7300</b> |                            | SHEET<br>1 OF 1 |



P.O. BOX 8003  
WAUSAU, WI 54401-8003  
PH. 715-675-3311

DATA VOLTS: 460

**CERTIFICATION DATA SHEET**

CUSTOMER: \_\_\_\_\_ CUSTOMER P.O. #: \_\_\_\_\_  
 ORDER #: \_\_\_\_\_ REFERENCE MODEL #: 447TTFCD6039  
 CONN. DIAGRAM: EE7300 CAT #: GT1155A  
 OUTLINE: SS557013 CUSTOMER PART #: \_\_\_\_\_  
 WINDING: HE32804009 NONE 2 MOUNTING: F1/F2 CAPABLE  
 SPEED: \_\_\_\_\_

**TYPICAL MOTOR PERFORMANCE DATA**

| HP  | KW  | SYNC RPM | FL RPM | FRAME | ENCLOSURE | TYPE | KVA CODE | DESIGN |
|-----|-----|----------|--------|-------|-----------|------|----------|--------|
| 200 | 149 | 1800     | 1790   | 447T  | TEFC      | TFC  | G        | B      |

| PH | HZ | VOLTS | AMPS | START TYPE       | DUTY | INSL | S.F. | AMB | ELEV. |
|----|----|-------|------|------------------|------|------|------|-----|-------|
| 3  | 60 | 575   | 175  | LINE OR INVERTER | CONT | F    | 1.15 | 40  | 3300  |

| F.L. EFF | 96.2 | 3/4 LD EFF | 96.2 | 1/2 LD EFF | 95.4 | GTD EFF | 95.8 | ELECT. TYPE | SQ CAGE INV RATED |
|----------|------|------------|------|------------|------|---------|------|-------------|-------------------|
| F.L. PF  | 89.0 | 3/4 LD PF  | 86.5 | 1/2 LD PF  | 79.5 |         |      |             |                   |

| F.L. TORQUE | LR AMPS @ 460 V | L.R. TORQUE      | B.D. TORQUE      | F.L. RISE (°C) |
|-------------|-----------------|------------------|------------------|----------------|
| 587 LB-FT   | 1,160           | 1,256 LB-FT 214% | 1,656 LB-FT 282% | 60             |

| @ 3 FT. | POWER  | ROTOR WK²   | MAX. LOAD WK² | SAFE STALL TIME | STARTS/HOUR | MOTOR WGT |
|---------|--------|-------------|---------------|-----------------|-------------|-----------|
| 80 dBA  | 89 dBA | 88.0 LB-FT² | 0 LB-FT²      | 25 SEC.         | 0           | 2675 LB.  |

**\*\*\* SUPPLEMENTAL INFORMATION \*\*\***

| DE BRACKET TYPE | ODE BRACKET TYPE | MOUNT TYPE | MOTOR ORIENTATION | SEVERE DUTY | HAZARDOUS LOCATION | DRIP COVER | SCREENS | PAINT           |
|-----------------|------------------|------------|-------------------|-------------|--------------------|------------|---------|-----------------|
| STANDARD        | STANDARD         | RIGID      | HORIZONTAL        | NO          | DIVISION 2 T2B     | NO         | NONE    | BLUE - MARATHON |

| BEARINGS |          | GREASE     | SHAFT TYPE | SPECIAL DE | SPECIAL ODE | SHAFT MATERIAL          | FRAME MATERIAL |
|----------|----------|------------|------------|------------|-------------|-------------------------|----------------|
| DE BALL  | ODE BALL | POLYREX EM | T          | NONE       | NONE        | 1045 HOT ROLLED (C-204) | CAST IRON      |
| 6319     | 6317     |            |            |            |             |                         |                |

| THERMOSTATS | PROTECTORS | WDG RTD's | BRG RTD's | THERMISTORS | CONTROL | SPACE HEATERS |
|-------------|------------|-----------|-----------|-------------|---------|---------------|
| NONE        | NOT        | NONE      | NONE      | NONE        | FALSE   | NA            |

| R1 (ohms/ph) | R2 (ohms/ph) | X1 (ohms/ph) | X2 (ohms/ph) | Xm (ohms/ph) | VIBRATION (in/sec) | FLOAT |
|--------------|--------------|--------------|--------------|--------------|--------------------|-------|
| 0.018        | 0.011        | 0.126        | 0.288        | 5.991        | 0.080              | ODE   |

|                                 |   |  |  |  |  |  |
|---------------------------------|---|--|--|--|--|--|
| *<br>N<br>O<br>T<br>E<br>S<br>* | INVERTER TORQUE: VARIABLE 10:1<br>INV. HP SPEED RANGE: NONE |  |  |  |  |  |
|                                 | ENCODER: NONE<br>NONE<br>NONE                               |  |  |  |  |  |
|                                 | BRAKE: NONE<br>NONE   |  |  |  |  |  |
|                                 | FT-LB: NA<br>VOLTAGE: NONE                                  |  |  |  |  |  |
|                                 | HZ: NONE PPR  |  |  |  |  |  |

|   |  |
|---|--|
| PREPARED BY: FAREEDA DUDEKULA<br>DATE: 5/3/2018 | BRAKE: NONE<br>NONE  |
|   | FT-LB: NA<br>VOLTAGE: NONE                                 |
|   | HZ: NONE PPR   |
| FORM: 3531 REV_4 2/27/06                        | UL: NO LETTER - ME,WUXI TEFC BLUEWHALE CLASS 1 DIV. 2 UL I |

Data Sheet

Date: 5/3/2018  
 Customer: \_\_\_\_\_  
 Attention: \_\_\_\_\_  
 Submitted by: FAREEDA DUDEKULA



447TTFCD6039

Submittal

Data @ 575 V

Motor Load Data

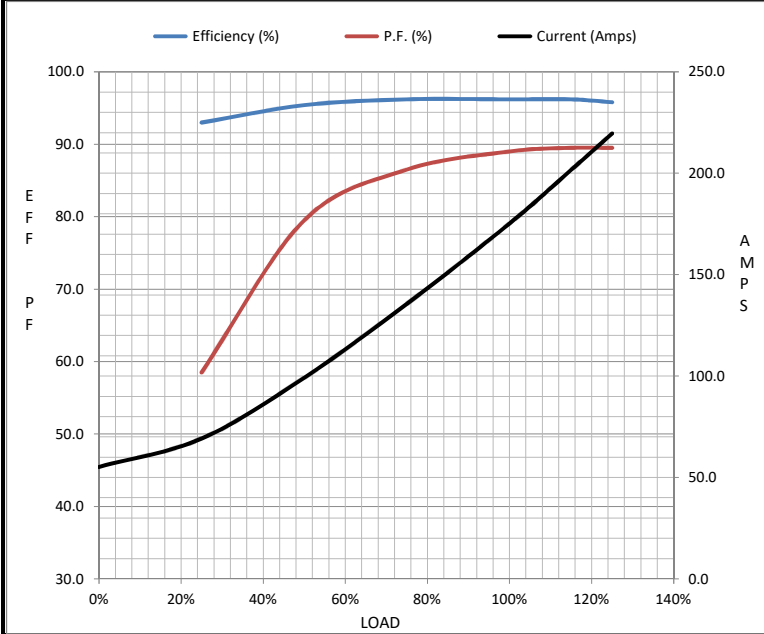
| Load           | 0%   | 25%  | 50%  | 75%  | 100% | 115%  | 125% | LR    |
|----------------|------|------|------|------|------|-------|------|-------|
| Current (Amps) | 55.2 | 69.2 | 99.2 | 136  | 175  | 202   | 220  | 1,160 |
| Torque (ft-lb) | 0.00 | 146  | 293  | 440  | 587  | 676   | 735  | 1,256 |
| RPM            | 1800 | 1798 | 1795 | 1792 | 1790 | 1,788 | 1788 | 0     |
| Efficiency (%) |      | 93.0 | 95.4 | 96.2 | 96.2 | 96.2  | 95.8 |       |
| P.F. (%)       | 4.5  | 58.5 | 79.5 | 86.5 | 89.0 | 89.5  | 89.5 | 38.0  |

Motor Speed Data

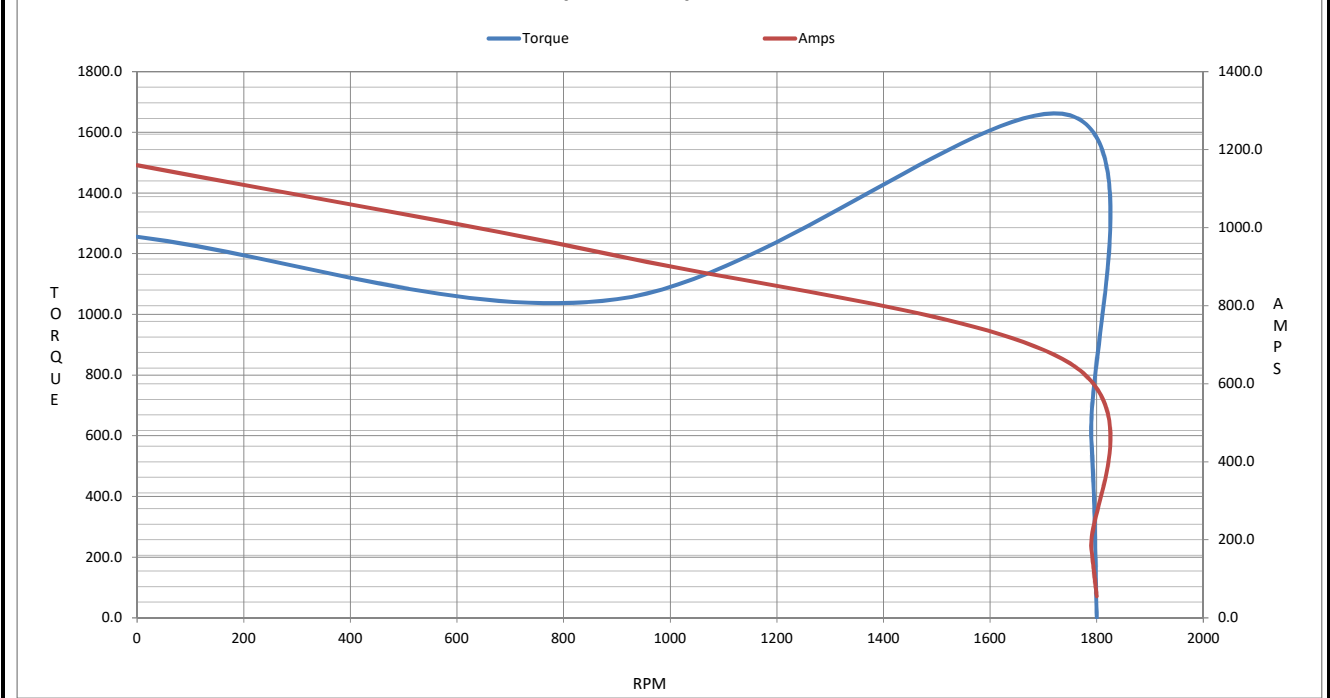
|                | LR    | Pull-Up | BD    | Rated | Idle |
|----------------|-------|---------|-------|-------|------|
| Speed (RPM)    | 0     | 900     | 1750  | 1790  | 1800 |
| Current (Amps) | 1,160 | 928     | 652   | 175   | 55.2 |
| Torque (ft-lb) | 1,256 | 1,050   | 1,656 | 587   | 0.00 |

Information Block

|                             |                         |        |        |        |
|-----------------------------|-------------------------|--------|--------|--------|
| HP                          | 200.0                   |        |        |        |
| Sync. RPM                   | 1800                    |        |        |        |
| Frame                       | 449182TTFCD6080         |        |        |        |
| Enclosure                   | TEFC                    |        |        |        |
| Construction                | TFC                     |        |        |        |
| Voltage                     | 575 V                   |        |        |        |
| Frequency                   | 60 Hz                   |        |        |        |
| Design                      | A                       |        |        |        |
| LR Code letter              | G                       |        |        |        |
| Service Factor              | 1.15                    |        |        |        |
| Temp Rise @ FL              | 60 °C                   |        |        |        |
| Duty                        | CONT                    |        |        |        |
| Ambient                     | 40 °C                   |        |        |        |
| Elevation                   | 1,000 feet              |        |        |        |
| Rotor/Shaft wk <sup>2</sup> | 88.0 Lb-Ft <sup>2</sup> |        |        |        |
| Ref Wdg                     | HE32804009 NONE         |        |        |        |
| Sound Pressure @ 1M         | 80 dBA                  |        |        |        |
| VFD Rating                  | VARIABLE 10:1           |        |        |        |
| Outline Dwg                 | SS557013                |        |        |        |
| Conn. Diag                  | EE7300                  |        |        |        |
| Additional Specifications:  |                         |        |        |        |
| 0                           |                         |        |        |        |
| 0                           |                         |        |        |        |
| EQUIV CKT (OHMS / PHASE)    |                         |        |        |        |
| R1                          | R2                      | X1     | X2     | Xm     |
| 0.0180                      | 0.0110                  | 0.1260 | 0.2880 | 5.9910 |



Speed - Torque Curve



## EC Declaration of Conformity

The undersigned representing  
the manufacturer:

Regal Beloit America  
100 East Randolph St.  
Wausau, WI 54401

and the authorized representative  
established within the Community:

Marathon Electric UK  
6F Thistleton Road Ind. Estate  
Market Overton  
Oakham, Rutland LE15 7PP UK

are committed to providing customers with products that comply with applicable regulations and international protocols to which they are subject, including the requirements of the European Parliament Directive on the Harmonization of the laws relating to electrical equipment designed for use within certain voltage limits (2014/35/EU).

Regal Beloit America declares that the following product(s), to which this declaration relates, are in conformity with the relevant sections of the EC standards listed below.

This statement supersedes any statements previously issued pertaining to the product(s) listed below and is subject to change without notice.

Model No : 447TTFCD6039

(Model No. may contain prefix and/or suffix characters)

Catalog No : GT1155A

Rework No : N/A

Directives :

Low Voltage Directive 2014/35/EU

Harmonized Standards Used :

EN 60034-1: 2010 (IEC 60034-1: 2010)

EN 60034-5: 2001/A1:2007 (IEC 60034-5: 2000/A1:2006)

Authorized Representative:



Michael A. Logsdon  
Vice President, Technology

Authorized Representative in the Community:



Julian Clark  
Marketing Engineer

Created on 09/01/2022

**CE 22**