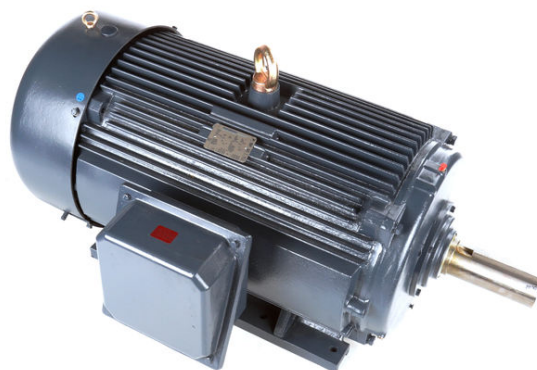


# PRODUCT INFORMATION PACKET

Model No: 447TTFC6633

Catalog No: Y828A

XRI® Crusher Duty Crusher Duty Motor, 200 & 150 HP, 3 Ph, 60 & 50 Hz, 460 & 380 V, 1800 & 1500 RPM,  
447T Frame, TEFC



Regal and Marathon are trademarks of Regal Rexnord Corporation or one of its affiliated companies.

©2023 Regal Rexnord Corporation, All Rights Reserved. MC017097E

### Nameplate Specifications

Phase	3	Output HP	200 & 150 Hp
Output KW	149.0 & 112.0 kW	Voltage	460 & 380 V
Speed	1790 & 1490 rpm	Service Factor	1.15 & 1.15
Frame	447T	Enclosure	Totally Enclosed Fan Cooled
Thermal Protection	No Protection	Efficiency	96.2 & 95.8 %
Ambient Temperature	40 °C	Frequency	60 & 50 Hz
Current	225 & 208 A	Power Factor	87
Duty	Continuous	Insulation Class	F
Design Code	C	KVA Code	G
Drive End Bearing Size	NU319	Opp Drive End Bearing Size	6317
UL	Recognized	CSA	Y
CE	Y	IP Code	55
Number of Speeds	1		

### Technical Specifications

Electrical Type	Squirrel Cage Inverter Rated	Starting Method	Part Wdg Start & Wye Start Delta Run Or Inverter
Poles	4	Rotation	Reversible
Resistance Main	.015 Ohms	Mounting	Rigid Base
Motor Orientation	Horizontal	Drive End Bearing	Roller
Opp Drive End Bearing	Ball	Frame Material	Cast Iron
Shaft Type	T	Overall Length	50.78 in
Shaft Diameter	3.375 in	Shaft Extension	8.5 in
Assembly/Box Mounting	F1/F2 CAPABLE	Inverter Load	CONSTANT 10:1
Connection Drawing	EE7300BH	Outline Drawing	SS620677-447T

4

3

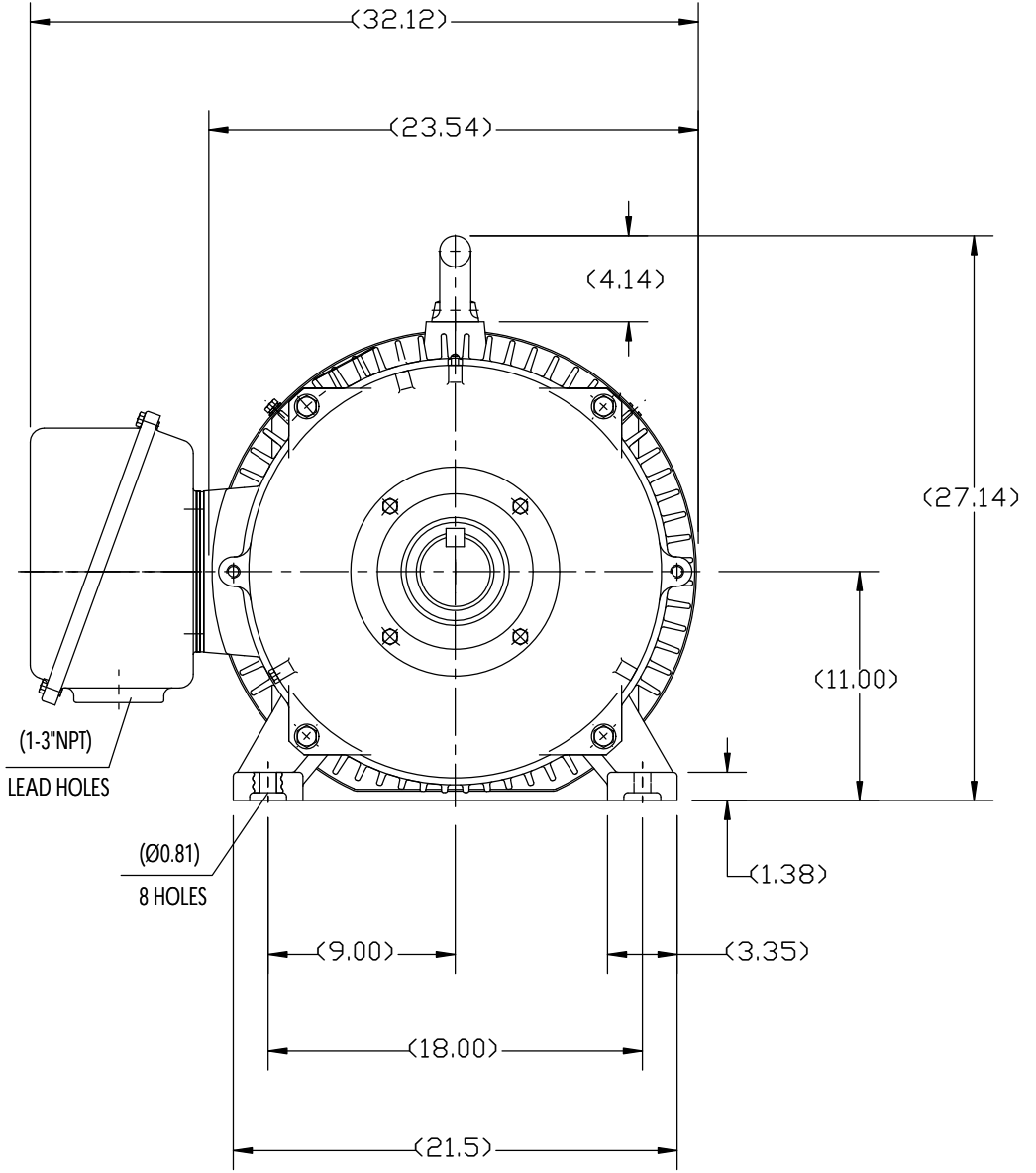
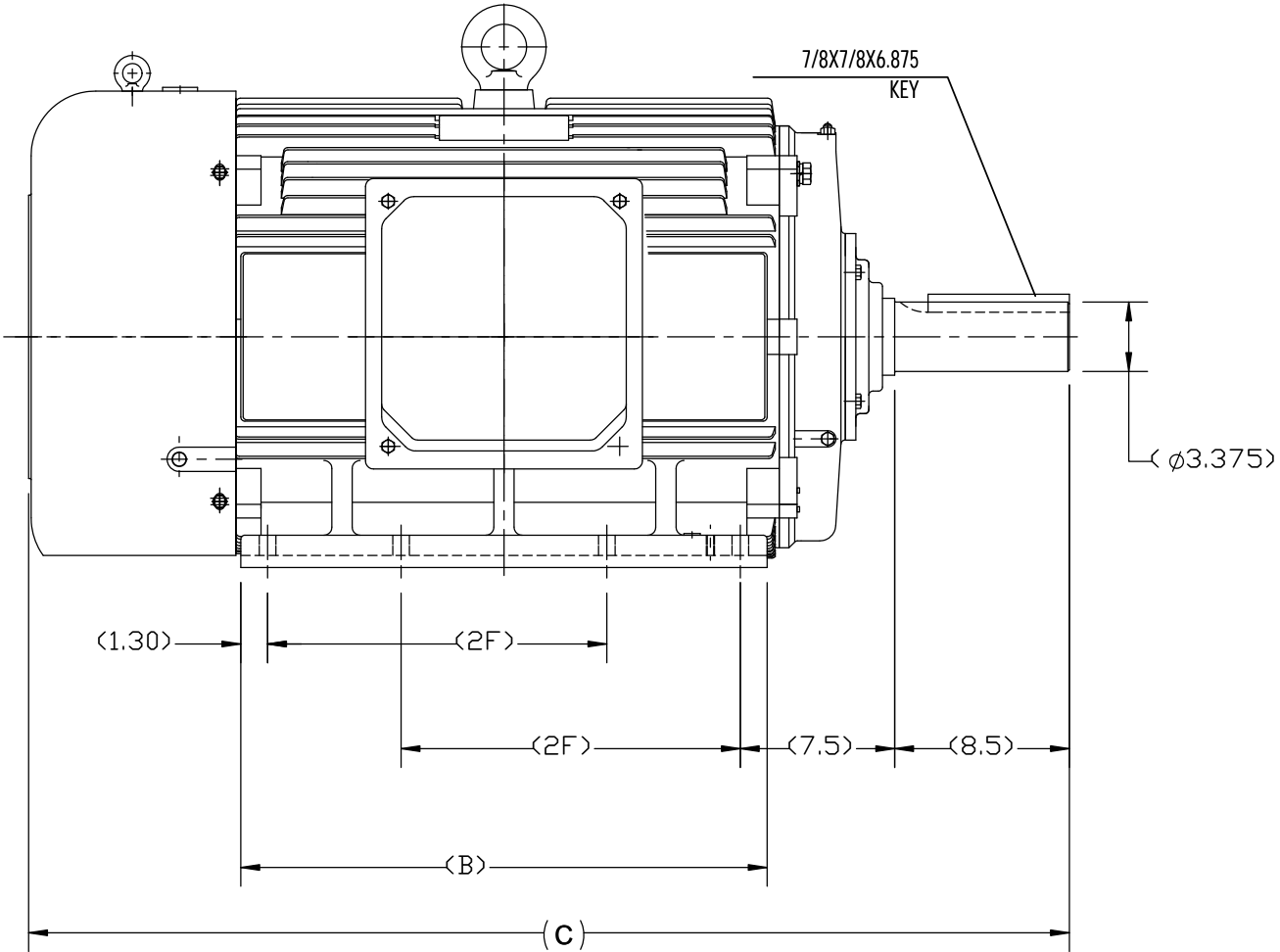
Uncontrolled Copy

2

1

B

B



A

A

444T	50.787	25.60	14.50
445T			16.50
FRAME	C	B	2F
	4		

DRAWING REVISION B	REVISION BY W. JOERGER	DATE 02-27-2017
ECO ECO-0118824	APPROVED BY E. HEIL	DATE 02-27-2017
ECO DESCRIPTION REMOVED 447T/449T FRAME MOTORS		
<small>COPYRIGHT REGAL BELOIT AMERICA, INC. ALL RIGHTS RESERVED.          PROPRIETARY AND CONFIDENTIAL INFORMATION - THIS DOCUMENT IS THE PROPERTY OF          REGAL BELOIT AMERICA, INC. ("OWNER") AND CONTAINS OWNER'S PROPRIETARY          INFORMATION. ANY PERSON, CORPORATION OR OTHER FIRM RECEIVING IT IS DEEMED,          BY RECEIVING IT, TO AGREE THAT IT, AND/OR ANY PART OF IT, SHALL NOT BE DISCLOSED          TO ANY PERSON, CORPORATION OR OTHER ENTITY, DUPLICATED, AND/OR USED, EXCEPT          AS EXPRESSLY APPROVED IN WRITING IN ADVANCE BY OWNER. THIS DOCUMENT SHALL          BE RETURNED TO OWNER UPON REQUEST. IT MAY BE SUBJECT TO CERTAIN          RESTRICTIONS UNDER APPLICABLE EXPORT CONTROL LAWS AND REGULATIONS.</small>		

TOLERANCES UNLESS OTHERWISE SPECIFIED:			
DEC.	INCH	mm	ANGLE
.X	$\pm 0.1$	[ $\pm 2.5$ ]	$\pm 7' 30"$
.XX	$\pm 0.03$	[ $\pm 0.76$ ]	
.XXX	$\pm 0.005$	[ $\pm 0.127$ ]	
.XXXX	$\pm 0.0005$	[ $\pm 0.0127$ ]	
REMOVE BURRS & BREAK SHARP EDGES: .003/.015 [0.076/.381] X 45°			
CORNER FILLETS: R.02 [.51]			
MACHINED SURFACES: 200 INCH 5.1 mm			
mm SHOWN IN [BRACKETS]			

DRAWN BY ZYH
DATE 04-22-2012
APPROVED BY WGH
DATE 04-22-2012
REFERENCE
THIRD ANGLE PROJECTION

<b>REGAL</b> ™ Regal Beloit America, Inc.	
DESCRIPTION <b>OUTLINE</b> 444T/445T FR-TEFC-CAST IRON-SEVERE DUTY	
MATERIAL	PROCESS/FINISH
SIZE B	DRAWING NUMBER SS620677
SHEET 1 OF 1	



VIEW OF TERMINAL END

				TOLERANCES UNLESS SPECIFIED		REGAL REGAL - BELOIT CORPORATION	DRAWN RJW 02-11-2005				
				DEC.	INCHES		CHK	ML	02-11-2005		
				.X	±.1		APPD	GK	02-11-2005		
				.XX	±.02	TITLE CONNECTION DIAGRAM		SCALE			
D	CHANGED TO REGAL TITLE BLOCK	ECO-0108299	WGJ 08/22/2016	EMH	.XXX ±.005	12 LEAD- SINGLE VOLTAGE		REF			
1	ADDED IEC TERMINAL MARKINGS	CN 41429	JJB 05/24/2007	ML	.XXXX ±.0005	MAT'L.		FMF			
NO.	REVISION	BY & DATE	CHK	ANG	±7'30"	FINISH		PREV			
THIS DRAWING IN DESIGN AND DETAIL IS OUR PROPERTY AND MUST NOT BE USED EXCEPT IN CONNECTION WITH OUR WORK ALL RIGHTS OF DESIGN AND INVENTION ARE RESERVED THIS IS AN ELECTRONICALLY GENERATED DOCUMENT - DO NOT SCALE THIS PRINT						RFP 02-11-2005	CAD FILE ee7300bh	SIZE A	DRAWING NO. EE7300BH	PAGE OF	REV. C
						DIST LB					

**CERTIFICATION DATA SHEET**

**Model#:** 447TTFC6633 AA  
**CONN. DIAGRAM:** EE7300BH  
**OUTLINE:** SS620677

**WINDING#:** CHT44740003 R1 1  
**ASSEMBLY:** F1/F2 CAPABLE

**TYPICAL MOTOR PERFORMANCE DATA**

HP	KW	SYNC. RPM	F.L. RPM	FRAME	ENCLOSURE	KVA CODE	DESIGN
200&150	149&112	1800	1790&1490	447T	TEFC	G	C

PH	Hz	VOLTS	FL AMPS	START TYPE	DUTY	INSL	S.F	AMB°C	ELEVATION
3	60/50	460#380	225&208	PWS & YDRUN OR INV	CONTINUOU S	F7	1.15/1.15	40	3300

FULL LOAD EFF: 96.2&95.8	3/4 LOAD EFF: 96.2	1/2 LOAD EFF: 95.4	GTD. EFF	ELEC. TYPE	NO LOAD AMPS
FULL LOAD PF: 87&87	3/4 LOAD PF: 85.5	1/2 LOAD PF: 79.5	95.8	SQ CAGE INV RATED	62

F.L. TORQUE	LOCKED ROTOR AMPS	L.R. TORQUE	B.D. TORQUE	F.L. RISE°C
587 LB-FT	1450	1300 LB-FT 220	1800 LB-FT 305	65

SOUND PRESSURE @ 3 FT.	SOUND POWER	ROTOR WK^2	MAX. WK^2	SAFE STALL TIME	STARTS /HOUR	APPROX. MOTOR WGT
75 dBA	85 dBA	88 LB-FT^2	- LB-FT^2	25 SEC.	-	2750 LBS.

**\*\*\* SUPPLEMENTAL INFORMATION \*\*\***

DE BRACKET TYPE	ODE BRACKET TYPE	MOUNT TYPE	ORIENTATION	SEVERE DUTY	HAZARDOUS LOCATION	DRIP COVER	SCREENS	PAINT
STANDARD	STANDARD	RIGID	HORIZONTAL	PREMIUM SEVERE DUTY	NONE	FALSE	NONE	BLUE (EPOXY)

BEARINGS		GREASE	SHAFT TYPE	SPECIAL DE	SPECIAL ODE	SHAFT MATERIAL	FRAME MATERIAL
DE	OPE						
ROLLER	BALL	SHC- 100/POLYREX	T	NONE	NONE	4140 STRESSPROOF (C-214)	CAST IRON
NU319	6317						

THERMO-PROTECTORS				THERMISTORS	CONTROL	SPACE /n HEATERS
THERMOSTATS	PROTECTORS	WDG RTDs	BRG RTDs			
NONE	NOT	NONE	NONE	NONE	FALSE	NONE VOLTS

If Inverter equals NONE, contact factory for further information

INVERTER TORQUE: CONSTANT 10:1 INV. HP SPEED RANGE: NONE
ENCODER: NONE NONE NONE NONE NONE PPR
BRAKE: NONE NONE NONE P/N NONE NONE NONE NONE FT-LB NONE V NONE Hz

\*  
N  
O  
T  
E  
S  
\*

DATE: 06/21/2017 06:35:02 AM  
 FORM 3531 REV.3 02/07/99

\*\* Subject to change without notice.



**Data Sheet**

**Date:** 20-06-2017  
**Customer:** \_\_\_\_\_  
**Attention:** \_\_\_\_\_  
**Submitted by:** FAREEDA DUDEKULA



444TFC6633

**Submittal**

Data @ **460 V**

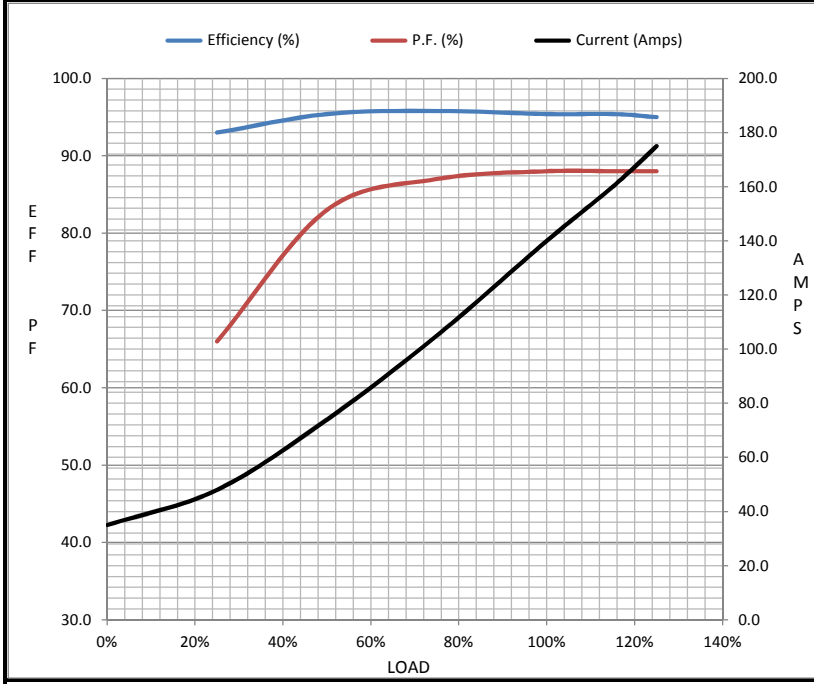
**Motor Load Data**

Load	0%	25%	50%	75%	100%	115%	125%	LR
Current (Amps)	35.0	48.0	74.0	105	140	160	175	878
Torque (ft-lb)	0.00	91.5	183	275	367	423	460	825
RPM	1800	1796	1794	1790	1786	1,784	1782	0
Efficiency (%)		93.0	95.4	95.8	95.4	95.4	95.0	
P.F. (%)	5.5	66.0	83.0	87.0	88.0	88.0	88.0	37.0

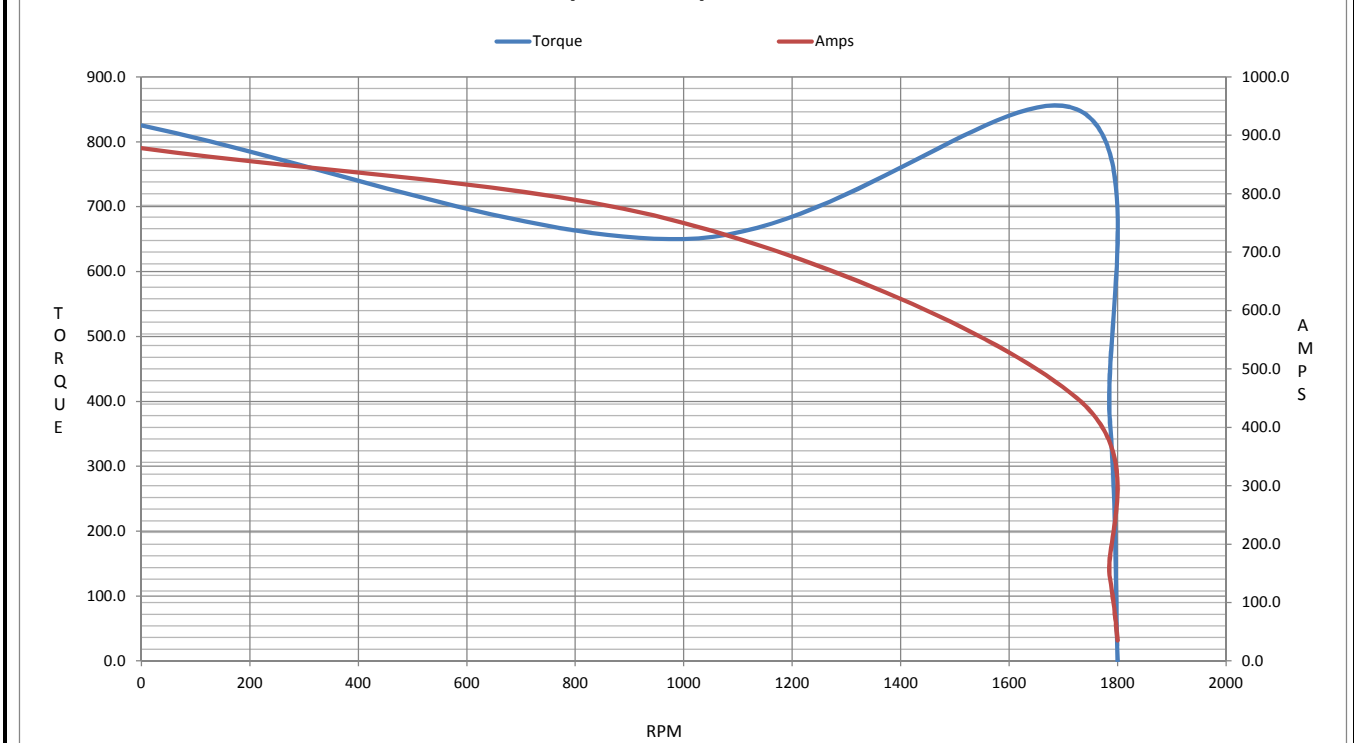
**Motor Speed Data**

	LR	Pull-Up	BD	Rated	Idle
Speed (RPM)	0	1000	1725	1786	1800
Current (Amps)	878	750	450	140	35.0
Torque (ft-lb)	825	650	850	367	0.00

Information Block				
HP	125.0			
Sync. RPM	1800			
Frame	444			
Enclosure	TEFC			
Construction	TFC			
Voltage	460#380 V			
Frequency	60 Hz			
Design	A			
LR Code letter	F			
Service Factor	1.15			
Temp Rise @ FL	55 ° C			
Duty	CONT			
Ambient	40 ° C			
Elevation	1,000 feet			
Rotor/Shaft wk <sup>2</sup>	60.0 Lb-Ft <sup>2</sup>			
Ref Wdg	CHT44440004 NONE			
Sound Pressure @ 1M	75 dBA			
VFD Rating	CONSTANT 10:1			
Outline Dwg	SS620677			
Conn. Diag	EE7300BH			
Additional Specifications:				
0				
365THFS8036				
EQUIV CKT (OHMS / PHASE)				
R1	R2	X1	X2	Xm
0.0290	0.0150	0.1580	0.2250	7.5700



**Speed - Torque Curve**



## EC Declaration of Conformity

The undersigned representing  
the manufacturer:

Regal Beloit America  
100 East Randolph St.  
Wausau, WI 54401

and the authorized representative  
established within the Community:

Marathon Electric UK  
6F Thistleton Road Ind. Estate  
Market Overton  
Oakham, Rutland LE15 7PP UK

are committed to providing customers with products that comply with applicable regulations and international protocols to which they are subject, including the requirements of the European Parliament Directive on the Harmonization of the laws relating to electrical equipment designed for use within certain voltage limits (2014/35/EU).

Regal Beloit America declares that the following product(s), to which this declaration relates, are in conformity with the relevant sections of the EC standards listed below.

This statement supersedes any statements previously issued pertaining to the product(s) listed below and is subject to change without notice.

Model No : 447TTFC6633

(Model No. may contain prefix and/or suffix characters)

Catalog No : Y828A

Rework No : N/A

Directives :

Low Voltage Directive 2014/35/EU

Harmonized Standards Used :

EN 60034-1: 2010 (IEC 60034-1: 2010)

EN 60034-5: 2001/A1:2007 (IEC 60034-5: 2000/A1:2006)

Authorized Representative:



Michael A. Logsdon  
Vice President, Technology

Authorized Representative in the Community:



Julian Clark  
Marketing Engineer

Created on 09/01/2022

**CE 22**