

PRODUCT INFORMATION PACKET

marathon®
Motors

Model No: 447TTD6033

Catalog No: GT00020

Globetrotter® General Purpose Motor, 250 & 200 HP, 3 Ph, 60 & 50 Hz, 460 & 380 V, 1800 & 1500 RPM,
447T Frame, DP



Regal and Marathon are trademarks of Regal Rexnord Corporation or one of its affiliated companies.

©2023 Regal Rexnord Corporation, All Rights Reserved. MC017097E

RegalRexnord



Nameplate Specifications

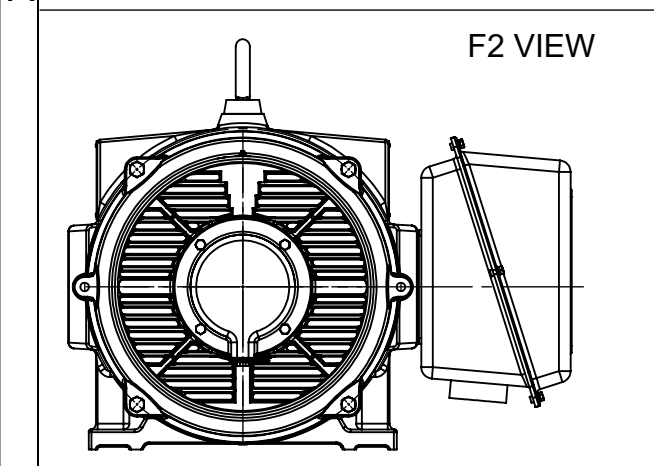
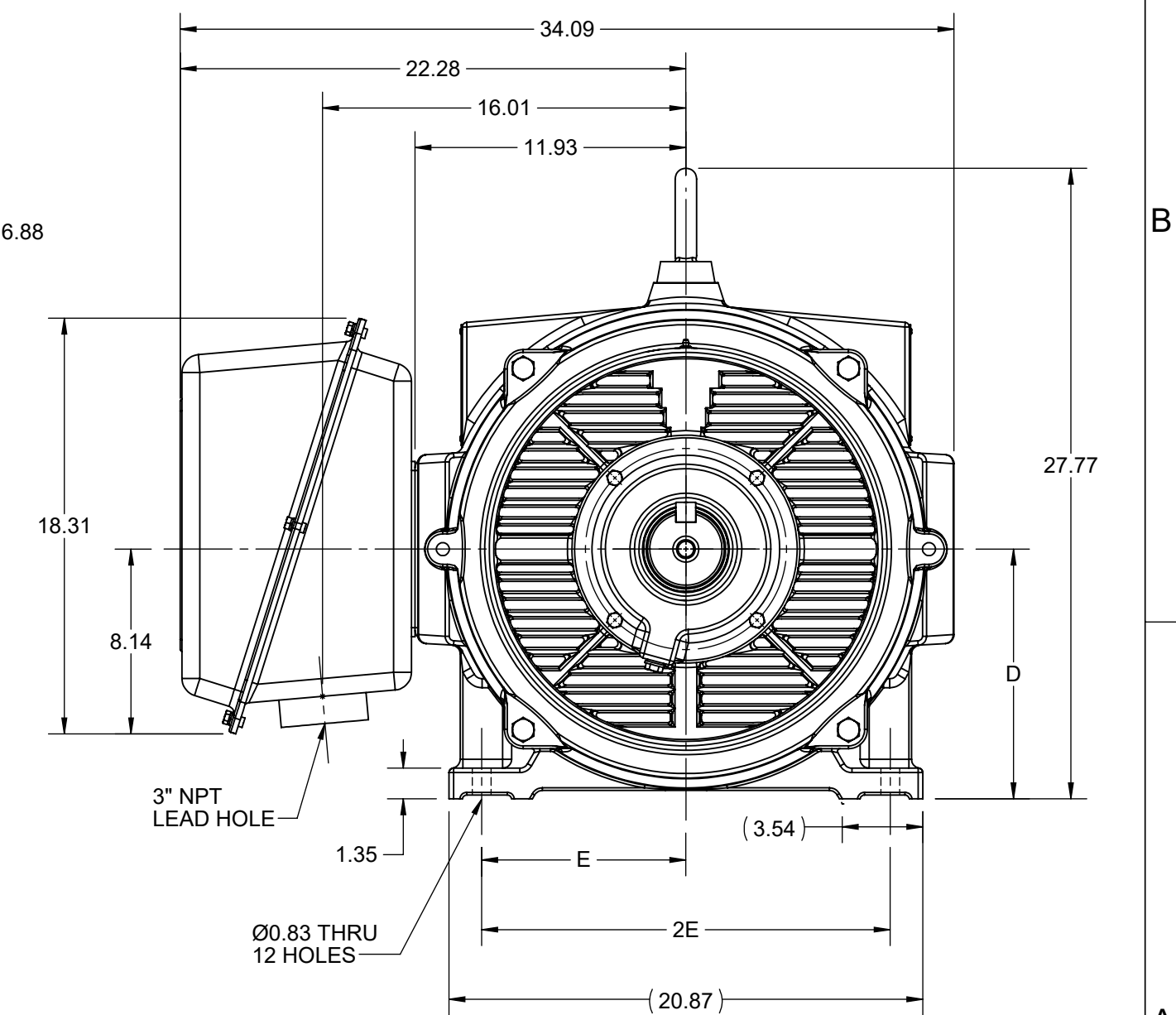
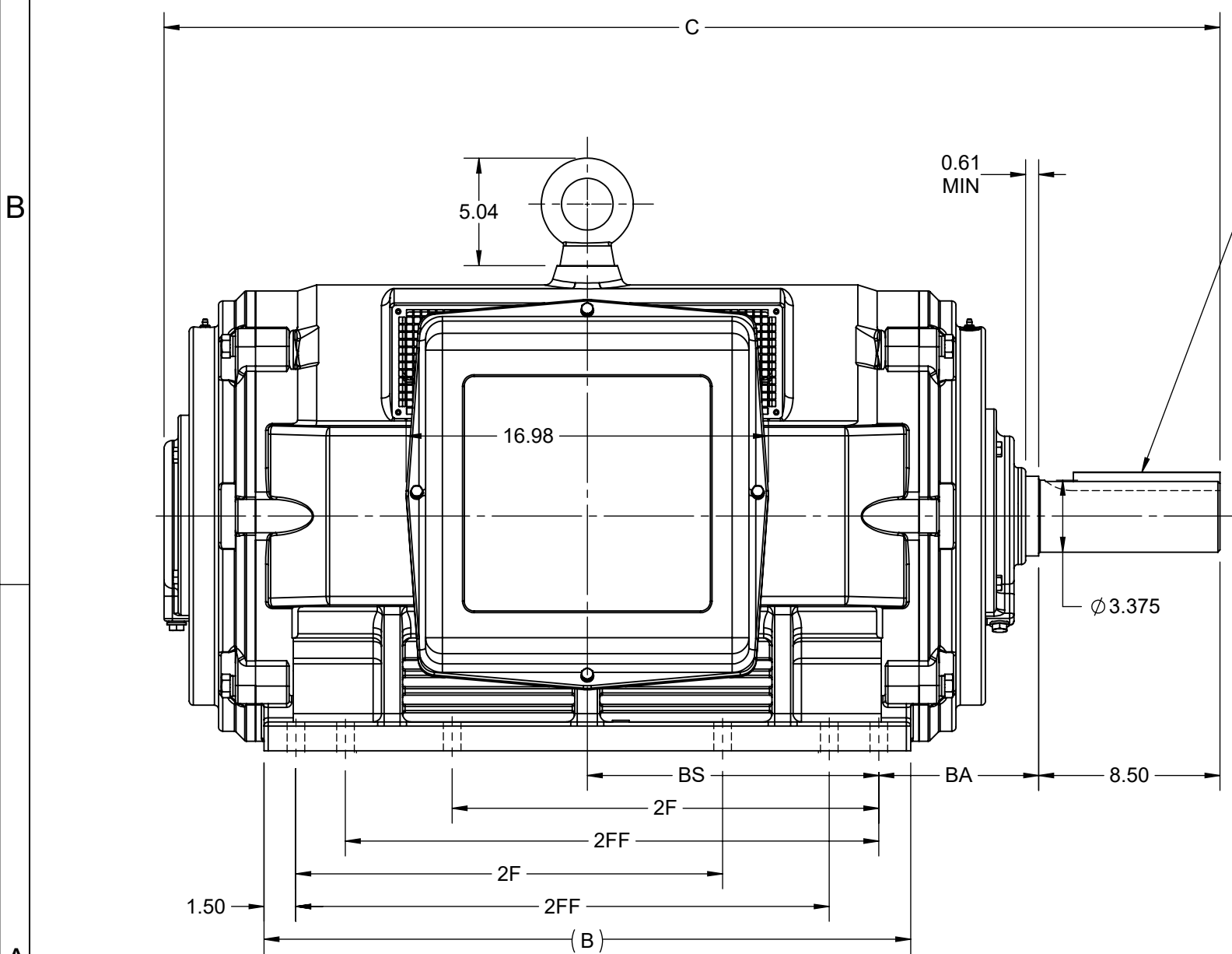
Phase	3	Output HP	250 & 200 Hp
Output KW	187.0 & 149.0 kW	Voltage	460 & 380 V
Speed	1790 & 1490 rpm	Service Factor	1.15 & 1.15
Frame	447T	Enclosure	Drip Proof
Thermal Protection	No Protection	Efficiency	95.8 & 95.8 %
Ambient Temperature	40 °C	Frequency	60 & 50 Hz
Current	281 & 272 A	Power Factor	86.8
Duty	Continuous	Insulation Class	F
Design Code	B	KVA Code	G
Drive End Bearing Size	NU319	Opp Drive End Bearing Size	6317
UL	Recognized	CSA	Y
CE	Y	IP Code	22
Number of Speeds	1		

Technical Specifications

Electrical Type	Squirrel Cage Inverter Rated	Starting Method	Part Wdg Start & Wye Start Delta Run Or Inverter
Poles	4	Rotation	Reversible
Resistance Main	.0153 Ohms	Mounting	Rigid Base
Motor Orientation	Horizontal	Drive End Bearing	Roller
Opp Drive End Bearing	Ball	Frame Material	Cast Iron
Shaft Type	T	Shaft Diameter	3.375 in
Assembly/Box Mounting	F1/F2 CAPABLE	Inverter Load	VARIABLE 10:1
Outline Drawing	SS620758-200	Connection Drawing	EE7300BH

This is an uncontrolled document once printed or downloaded and is subject to change without notice. Date Created:06/22/2023

4				3				2		1	
DASH NO.	B	C	D	E	2E	2F	2FF	BA	BS	MOUNTING	FRAME
100	25.20	44.39	11.00	9.00	18.00	14.50	16.50	7.50	11.10	F1 OR F2	444/445T
200	30.31	49.50				20.00	25.00		13.66		447/449T



DRAWING REVISION C	REVISION BY RAM	REV DATE/© DATE 09/02/2022
REQUEST NUMBER CR-0006851	APPROVED BY SBD	DATE 09/02/2022
REQUEST NUMBER DESCRIPTION VIEWS UPDATED AS PER 3D		
<small>COPYRIGHT (PER REVISION DATE) REGAL BELOIT AMERICA, INC. ALL RIGHTS RESERVED. PROPRIETARY AND CONFIDENTIAL INFORMATION - THIS DOCUMENT IS THE PROPERTY OF REGAL BELOIT AMERICA, INC. ("OWNER") AND CONTAINS OWNER'S PROPRIETARY INFORMATION. ANY PERSON, CORPORATION OR OTHER FIRM RECEIVING IT IS DEEMED, BY RECEIVING IT, TO AGREE THAT IT, AND/OR ANY PART OF IT, SHALL NOT BE DISCLOSED TO ANY PERSON, CORPORATION OR OTHER ENTITY, DUPLICATED, AND/OR USED, EXCEPT AS EXPRESSLY APPROVED IN WRITING IN ADVANCE BY OWNER. THIS DOCUMENT SHALL BE RETURNED TO OWNER UPON REQUEST. IT MAY BE SUBJECT TO CERTAIN RESTRICTIONS UNDER APPLICABLE EXPORT CONTROL LAWS AND REGULATIONS.</small>		


PRIMARY DIMENSIONS ARE INCH
mm DIMENSIONS IN [BRACKETS]
ARE FOR REFERENCE ONLY

DRAWN BY ZXW
DATE 21/07/2016
APPROVED BY
DATE
REFERENCE
THIRD ANGLE PROJECTION

Regal Rexnord		Regal Beloit America, Inc.	
DESCRIPTION		OUTLINE	
444/445/447/449T FR NEMA ODP CAST IRON			
MATERIAL	PROCESS/FINISH	SIZE B	DRAWING NUMBER SS620758
		SHEET 1 OF 1	



VIEW OF TERMINAL END

				TOLERANCES UNLESS SPECIFIED		 REGAL - BELOIT CORPORATION	DRAWN RJW 02-11-2005						
				DEC.	INCHES		CHK	ML 02-11-2005					
				.X	±.1		APPD	GK 02-11-2005					
				.XX	±.02		SCALE						
D	CHANGED TO REGAL TITLE BLOCK	ECO-0108299	WGJ 08/22/2016	EMH	.XXX	±.005	TITLE CONNECTION DIAGRAM						
1	ADDED IEC TERMINAL MARKINGS	CN 41429	JJB 05/24/2007	ML	.XXXX	±.0005	12 LEAD- SINGLE VOLTAGE						
							REF						
							FMF						
NO.	REVISION	BY & DATE	CHK	ANG	±7'30"	FINISH	PREV						
THIS DRAWING IN DESIGN AND DETAIL IS OUR PROPERTY AND MUST NOT BE USED EXCEPT IN CONNECTION WITH OUR WORK ALL RIGHTS OF DESIGN AND INVENTION ARE RESERVED THIS IS AN ELECTRONICALLY GENERATED DOCUMENT - DO NOT SCALE THIS PRINT				RFP	02-11-2005		CAD FILE	ee7300bh		SIZE	DRAWING NO.	PAGE OF	REV.
				DIST	LB		A	EE7300BH				C	

EC Declaration of Conformity

The undersigned representing
the manufacturer:

Regal Beloit America
100 East Randolph St.
Wausau, WI 54401

and the authorized representative
established within the Community:

Marathon Electric UK
6F Thistleton Road Ind. Estate
Market Overton
Oakham, Rutland LE15 7PP UK

are committed to providing customers with products that comply with applicable regulations and international protocols to which they are subject, including the requirements of the European Parliament Directive on the Harmonization of the laws relating to electrical equipment designed for use within certain voltage limits (2014/35/EU).

Regal Beloit America declares that the following product(s), to which this declaration relates, are in conformity with the relevant sections of the EC standards listed below.

This statement supersedes any statements previously issued pertaining to the product(s) listed below and is subject to change without notice.

Model No : 447TTDCD6033

(Model No. may contain prefix and/or suffix characters)

Catalog No : GT00020

Rework No : N/A

Directives :

Low Voltage Directive 2014/35/EU

Harmonized Standards Used :

EN 60034-1: 2010 (IEC 60034-1: 2010)

EN 60034-5: 2001/A1:2007 (IEC 60034-5: 2000/A1:2006)

Authorized Representative:



Michael A. Logsdon
Vice President, Technology

Authorized Representative in the Community:



Julian Clark
Marketing Engineer

Created on 09/01/2022

CE 22