

# PRODUCT INFORMATION PACKET

**marathon**<sup>®</sup>  
Motors

Model No: 445TTGN4053

Catalog No: U019

Other Purpose Motor, 200 & 150 HP, 3 Ph, 60 & 50 Hz, 460 & 380 V, 1800 & 1500 RPM, 445T Frame, EPFC

Regal and Marathon are trademarks of Regal Rexnord Corporation or one of its affiliated companies.

©2023 Regal Rexnord Corporation, All Rights Reserved. MC017097E

**RegalRexnord**

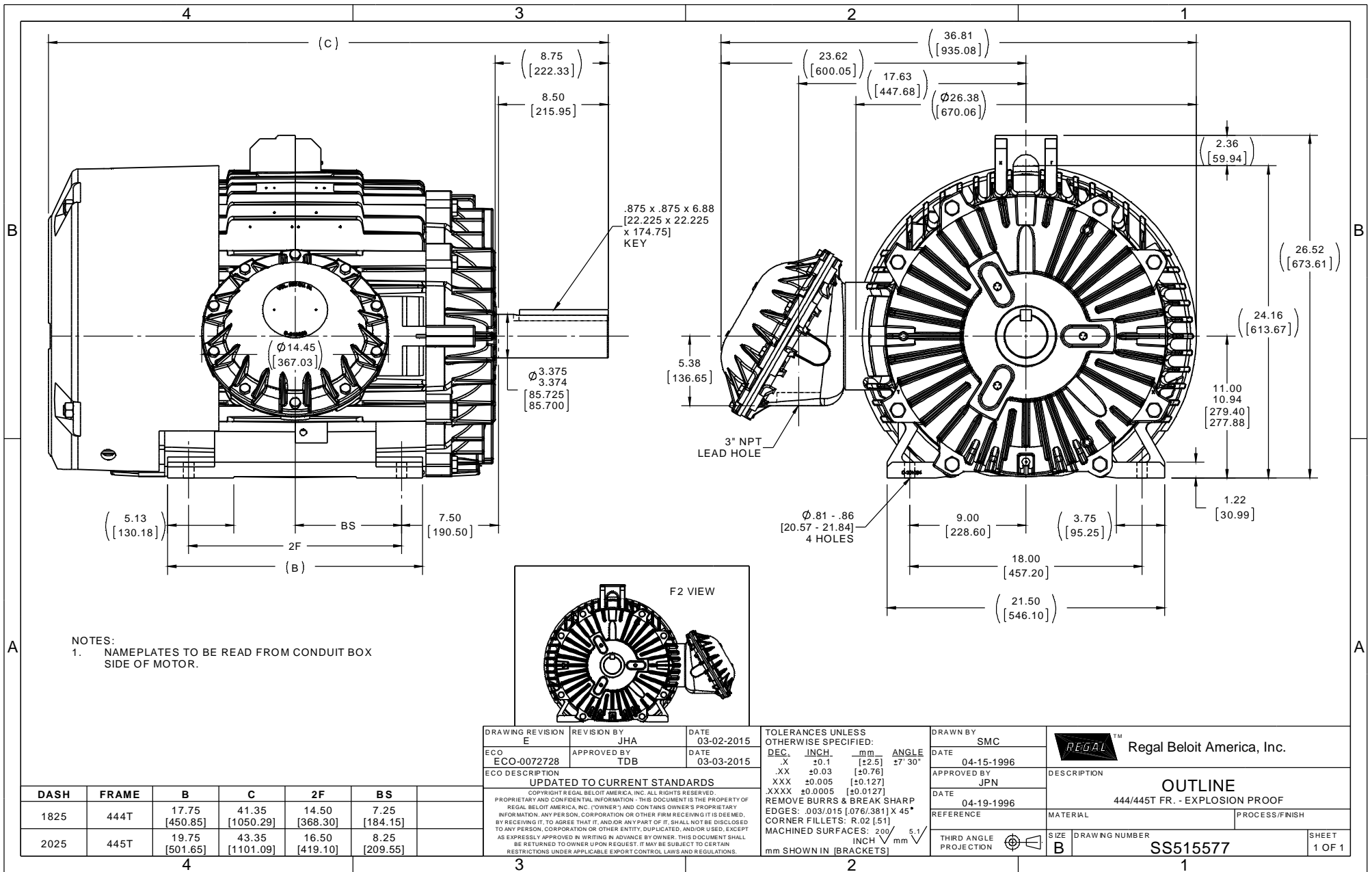


### Nameplate Specifications

Phase	<b>3</b>	Output HP	<b>200 &amp; 150 Hp</b>
Output KW	<b>149.0 &amp; 112.0 kW</b>	Voltage	<b>460 &amp; 380 V</b>
Speed	<b>1785 &amp; 1485 rpm</b>	Service Factor	<b>1.15 &amp; 1.15</b>
Frame	<b>445T</b>	Enclosure	<b>Explosion Proof Fan cooled</b>
Thermal Protection	<b>No Protection</b>	Efficiency	<b>95 &amp; 95 %</b>
Ambient Temperature	<b>40 °C</b>	Frequency	<b>60 &amp; 50 Hz</b>
Current	<b>225 &amp; 205 A</b>	Power Factor	<b>87</b>
Duty	<b>Continuous</b>	Insulation Class	<b>H</b>
Design Code	<b>B</b>	KVA Code	<b>G</b>
Drive End Bearing Size	<b>NU318</b>	Opp Drive End Bearing Size	<b>6316</b>
UL	<b>UL Listed; also, UL Certified for Canada</b>	CSA	<b>N</b>
CE	<b>N</b>	IP Code	<b>54</b>
Number of Speeds	<b>1</b>		

### Technical Specifications

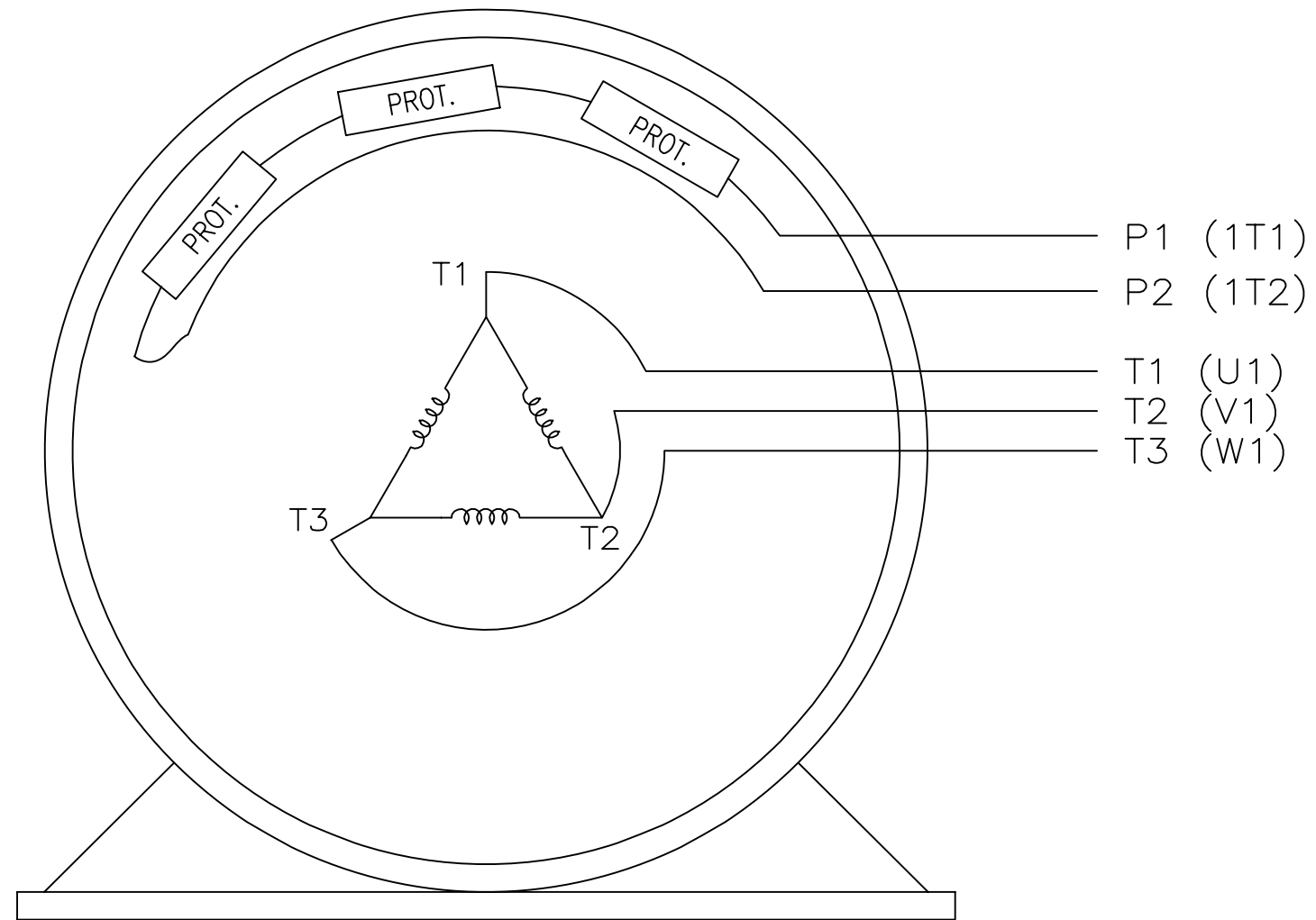
Electrical Type	<b>Squirrel Cage Inverter Rated</b>	Starting Method	<b>Line Or Inverter</b>
Poles	<b>4</b>	Rotation	<b>Reversible</b>
Resistance Main	<b>.02 Ohms</b>	Mounting	<b>Rigid Base</b>
Motor Orientation	<b>Horizontal</b>	Drive End Bearing	<b>Roller</b>
Opp Drive End Bearing	<b>Ball</b>	Frame Material	<b>Cast Iron</b>
Shaft Type	<b>T</b>	Overall Length	<b>43.35 in</b>
Frame Length	<b>20.50 in</b>	Shaft Diameter	<b>3.375 in</b>
Shaft Extension	<b>8.5 in</b>	Assembly/Box Mounting	<b>F1 ONLY</b>
Connection Drawing	<b>A-EE7300S</b>	Outline Drawing	<b>B-SS515577-2050</b>



EE7300S

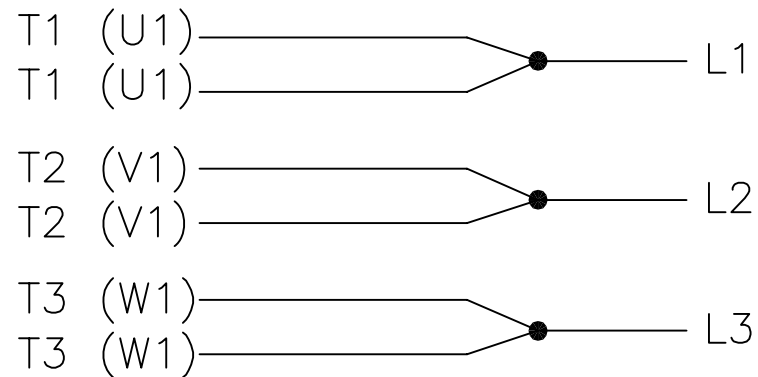
THREE PHASE – SINGLE VOLTAGE MOTOR

TO REVERSE ROTATION:  
INTERCHANGE ANY TWO LINE  
LEAD CONNECTIONS



VIEW OF TERMINAL END

IF MOTOR HAS MULTIPLE  
T'S PER LEAD CONNECT  
TOGETHER LIKE T'S



A-9806 DECAL

NO.	REVISION	BY & DATE	CHK	TOLERANCES UNLESS SPECIFIED			REGAL-BELOIT CORPORATION	DRAWN KL 12-15-1999		
				DEC.	INCHES					
F	UPDATED TITLE BLOCK	HV 02-27-2014	EWB	.X	±	-	REGAL-BELOIT CORPORATION	CHK DJK 12-15-1999		
3	REMOVED "N.C." FROM PROT.'S MU61770	JJB 08-02-2010		.XX	±	-	TITLE CONNECTION DIAGRAM – EXTERNAL SINGLE VOLTAGE 3Ø MOTOR	APPD DJK 12-15-1999		
2	ADDED IEC MARKINGS MU61770	KL 09-16-2004	EAB	.XXX	±	-		SCALE 1=1		
1	NEW DRAWING	KL 12-16-1999		.XXXX	±	-	MAT'L.	REF		
				ANG	±	-	FINISH	FMF		
			RFP				CAD FILE ee7300s	PREV		
THIS DRAWING IN DESIGN AND DETAIL IS OUR PROPERTY AND MUST NOT BE USED EXCEPT IN CONNECTION WITH OUR WORK ALL RIGHTS OF DESIGN AND INVENTION ARE RESERVED THIS IS AN ELECTRONICALLY GENERATED DOCUMENT – DO NOT SCALE THIS PRINT				DIST	WA-LB-SB		SIZE A	DRAWING NO. EE7300S	PAGE OF	REV. F