

PRODUCT INFORMATION PACKET

marathon[®]
Motors

Model No: 445TTGN4037

Catalog No: U018

Other Purpose Motor, 150 & 125 HP, 3 Ph, 60 & 50 Hz, 460 & 380 V, 1800 & 1500 RPM, 445T Frame, EPFC

Regal and Marathon are trademarks of Regal Rexnord Corporation or one of its affiliated companies.

©2023 Regal Rexnord Corporation, All Rights Reserved. MC017097E

RegalRexnord

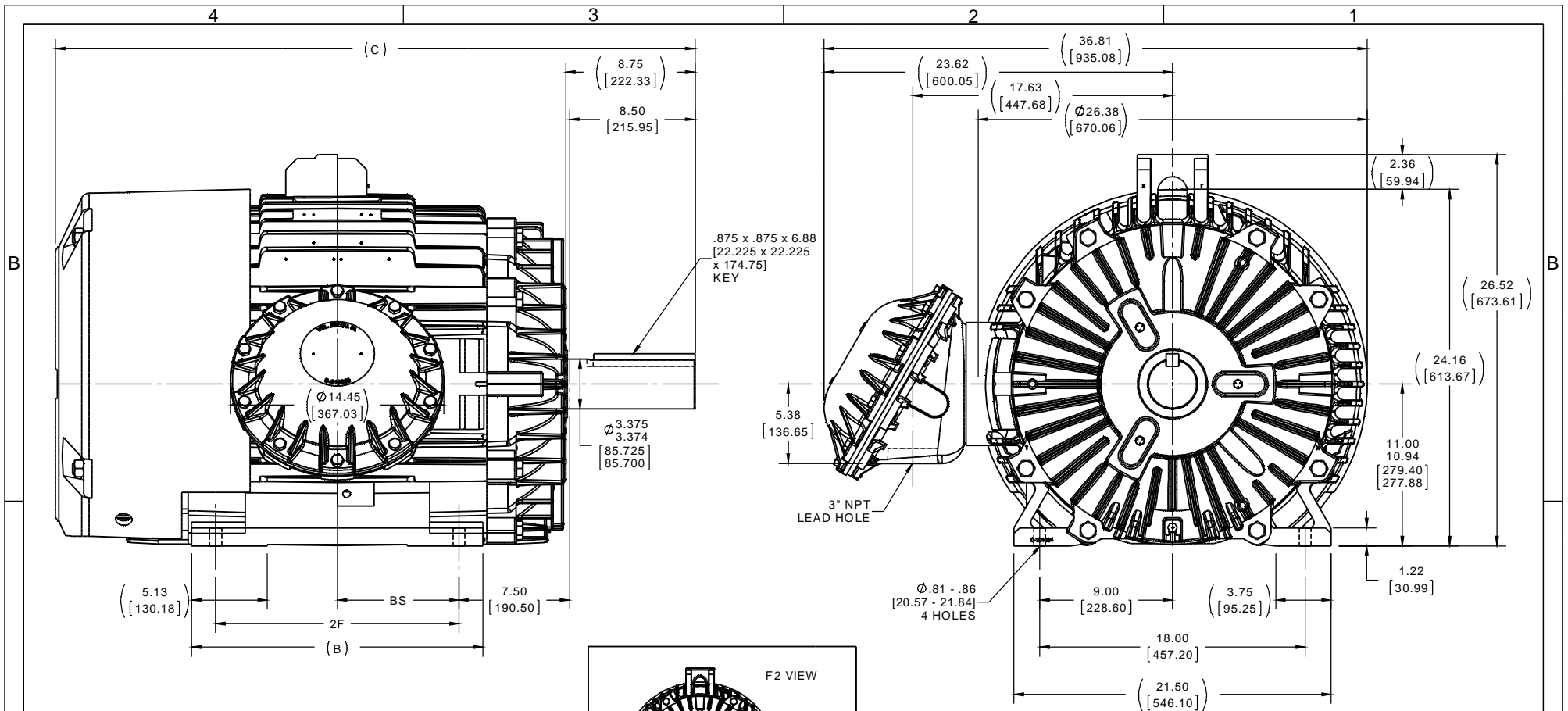


Nameplate Specifications

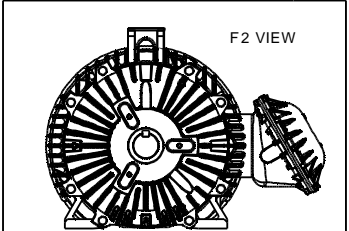
Phase	3	Output HP	150 & 125 Hp
Output KW	112.0 & 93.0 kW	Voltage	460 & 380 V
Speed	1785 & 1485 rpm	Service Factor	1.15 & 1.15
Frame	445T	Enclosure	Explosion Proof Fan cooled
Thermal Protection	No Protection	Efficiency	95 & 94.5 %
Ambient Temperature	40 °C	Frequency	60 & 50 Hz
Current	172 & 172 A	Power Factor	86
Duty	Continuous	Insulation Class	F
Design Code	B	KVA Code	G
Drive End Bearing Size	6318	Opp Drive End Bearing Size	6316
UL	UL Listed; also, UL Certified for Canada	CSA	N
CE	N	IP Code	54
Number of Speeds	1		

Technical Specifications

Electrical Type	Squirrel Cage Inverter Rated	Starting Method	Line Or Inverter
Poles	4	Rotation	Reversible
Resistance Main	.027 Ohms	Mounting	Rigid Base
Motor Orientation	Horizontal	Drive End Bearing	Ball
Opp Drive End Bearing	Ball	Frame Material	Cast Iron
Shaft Type	T	Overall Length	43.35 in
Frame Length	20.25 in	Shaft Diameter	3.375 in
Shaft Extension	8.75 in	Assembly/Box Mounting	F1 ONLY
Inverter Load	CONSTANT 10:1		
Outline Drawing	B-SS515577-2025	Connection Drawing	A-EE7300S



NOTES:
 1. NAMEPLATES TO BE READ FROM CONDUIT BOX SIDE OF MOTOR.



DASH	FRAME	B	C	2F	BS
1825	444T	17.75 [450.85]	41.35 [1050.29]	14.50 [368.30]	7.25 [184.15]
2025	445T	19.75 [501.65]	43.35 [1101.09]	16.50 [419.10]	8.25 [209.55]

DRAWING REVISION E	REVISION BY JHA	DATE 03-02-2015
ECO ECO-0072728	APPROVED BY TDB	DATE 03-03-2015
ECO DESCRIPTION UPDATED TO CURRENT STANDARDS COPYRIGHT REGAL BELOIT AMERICA, INC. ALL RIGHTS RESERVED. PROPRIETARY AND CONFIDENTIAL INFORMATION. THIS DOCUMENT IS THE PROPERTY OF REGAL BELOIT AMERICA, INC. (OWNER) AND CONTAINS OWNER'S PROPRIETARY INFORMATION. ANY PERSON, CORPORATION OR OTHER FIRM RECEIVING IT IS DEEMED, BY RECEIVING IT, TO AGREE THAT IT, AND/OR ANY PART OF IT, SHALL NOT BE DISCLOSED TO ANY PERSON, CORPORATION OR OTHER ENTITY, DUPLICATED, AND/OR USED, EXCEPT AS EXPRESSLY APPROVED IN WRITING IN ADVANCE BY OWNER. THIS DOCUMENT SHALL BE RETURNED TO OWNER UPON REQUEST. IT MAY BE SUBJECT TO CERTAIN RESTRICTIONS UNDER APPLICABLE EXPORT CONTROL LAWS AND REGULATIONS.		

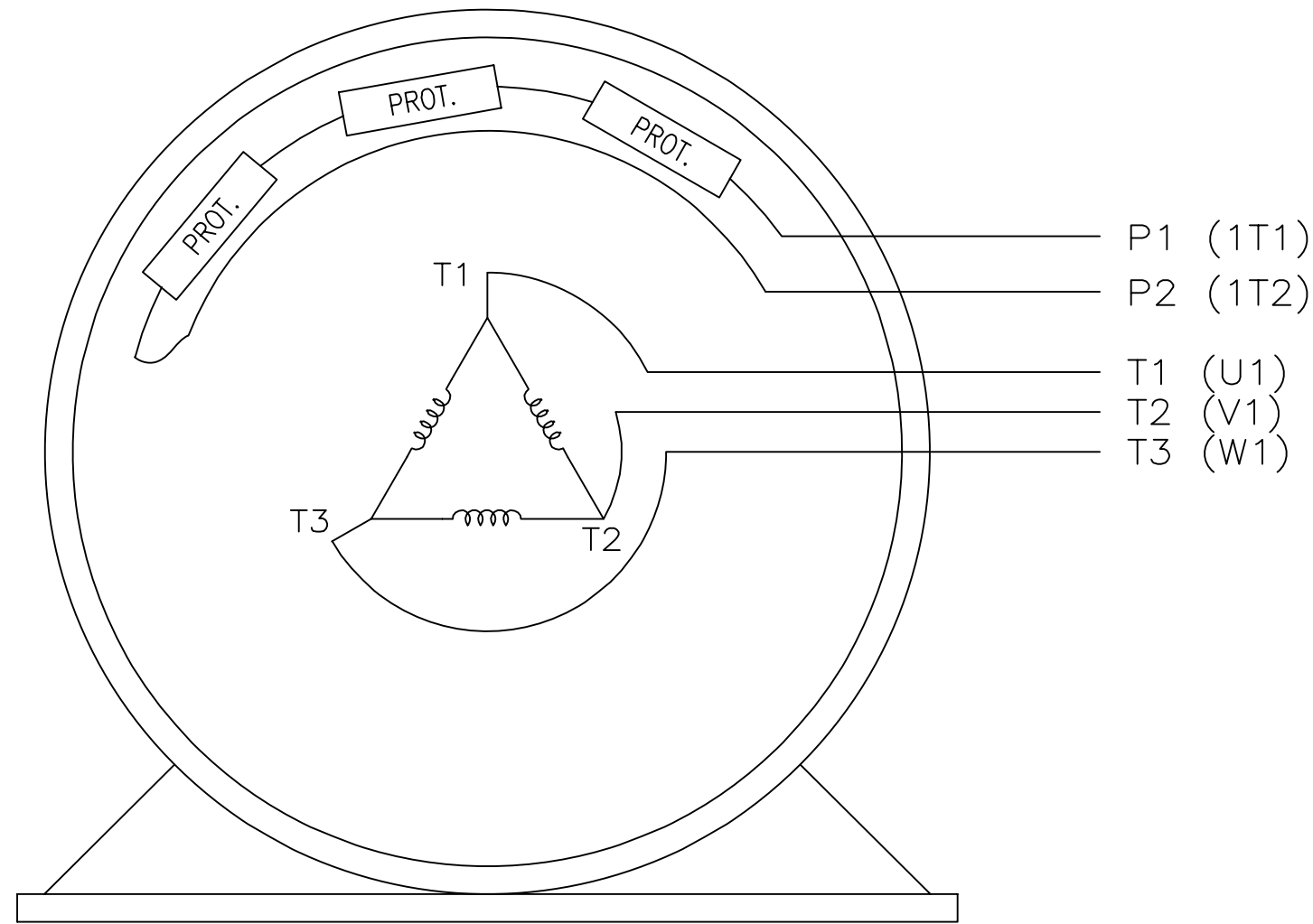
TOLERANCES UNLESS OTHERWISE SPECIFIED:			
DEC.	INCH.	mm	ANGLE
.X	±0.1	[±2.5]	27° 30'
.XX	±0.03	[±0.76]	
.XXX	±0.005	[±0.127]	
.XXXX	±0.0005	[±0.0127]	
REMOVE BURRS & BREAK SHARP EDGES: .003/.015 [0.076/.381] X 45°			
CORNER FILLETS: R.02 [.51]			
MACHINED SURFACES: 200 √ INCH mm 5.1			
mm SHOWN IN [BRACKETS]			

DRAWN BY SMC	Regal Beloit America, Inc.	
DATE 04-15-1996	DESCRIPTION OUTLINE 444/445T FR. - EXPLOSION PROOF	
APPROVED BY JPN	MATERIAL	PROCESS/FINISH
DATE 04-19-1996		
REFERENCE	SIZE B	DRAWING NUMBER SS515577
THIRD ANGLE PROJECTION		SHEET 1 OF 1

EE7300S

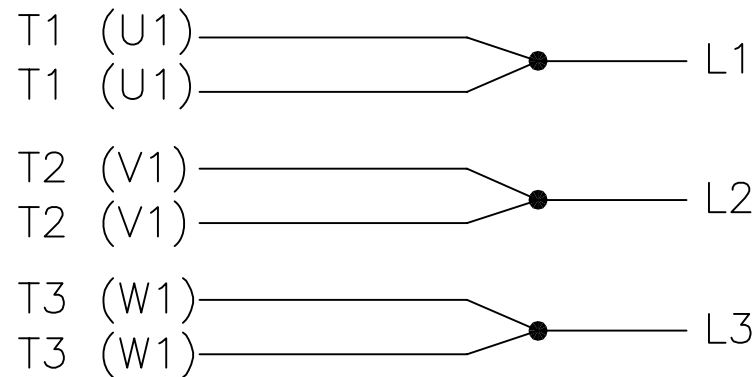
THREE PHASE – SINGLE VOLTAGE MOTOR

TO REVERSE ROTATION:
INTERCHANGE ANY TWO LINE
LEAD CONNECTIONS



VIEW OF TERMINAL END

IF MOTOR HAS MULTIPLE
T'S PER LEAD CONNECT
TOGETHER LIKE T'S



A-9806 DECAL

NO.	REVISION	BY & DATE	CHK	TOLERANCES UNLESS SPECIFIED			REGAL-BELOIT CORPORATION	DRAWN KL 12-15-1999		
				DEC.	INCHES					
F	UPDATED TITLE BLOCK	HV 02-27-2014	EWH	.X	±	-	REGAL-BELOIT CORPORATION	CHK DJK 12-15-1999		
3	REMOVED "N.C." FROM PROT.'S MU61770	JJB 08-02-2010		.XX	±	-	TITLE CONNECTION DIAGRAM – EXTERNAL SINGLE VOLTAGE 3Ø MOTOR	APPD DJK 12-15-1999		
2	ADDED IEC MARKINGS MU61770	KL 09-16-2004	EAB	.XXX	±	-		SCALE 1=1		
1	NEW DRAWING	KL 12-16-1999		.XXXX	±	-	MAT'L.	REF		
				ANG	±	-	FINISH	FMF		
			RFP				CAD FILE ee7300s	PREV		
THIS DRAWING IN DESIGN AND DETAIL IS OUR PROPERTY AND MUST NOT BE USED EXCEPT IN CONNECTION WITH OUR WORK ALL RIGHTS OF DESIGN AND INVENTION ARE RESERVED THIS IS AN ELECTRONICALLY GENERATED DOCUMENT – DO NOT SCALE THIS PRINT				DIST	WA-LB-SB		SIZE A	DRAWING NO. EE7300S	PAGE OF	REV. F