

PRODUCT INFORMATION PACKET



Model No: 445TTGN18502
Catalog No: 445TTGN18502
150,3600,EPFC,445TCVZ,3/60/460

Regal and Marathon are trademarks of Regal Rexnord Corporation or one of its affiliated companies.
©2024 Regal Rexnord Corporation, All Rights Reserved. MC017097E



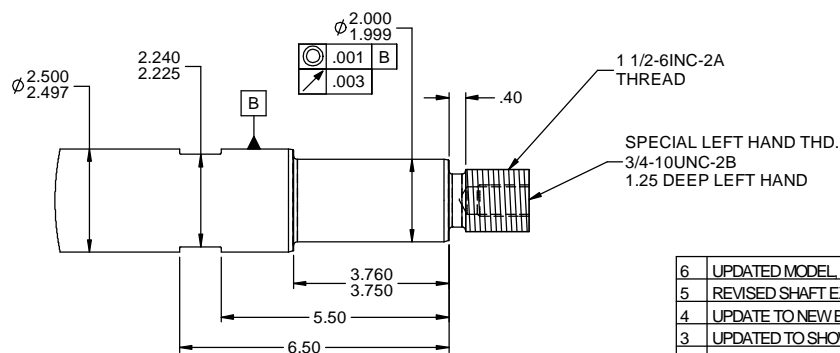
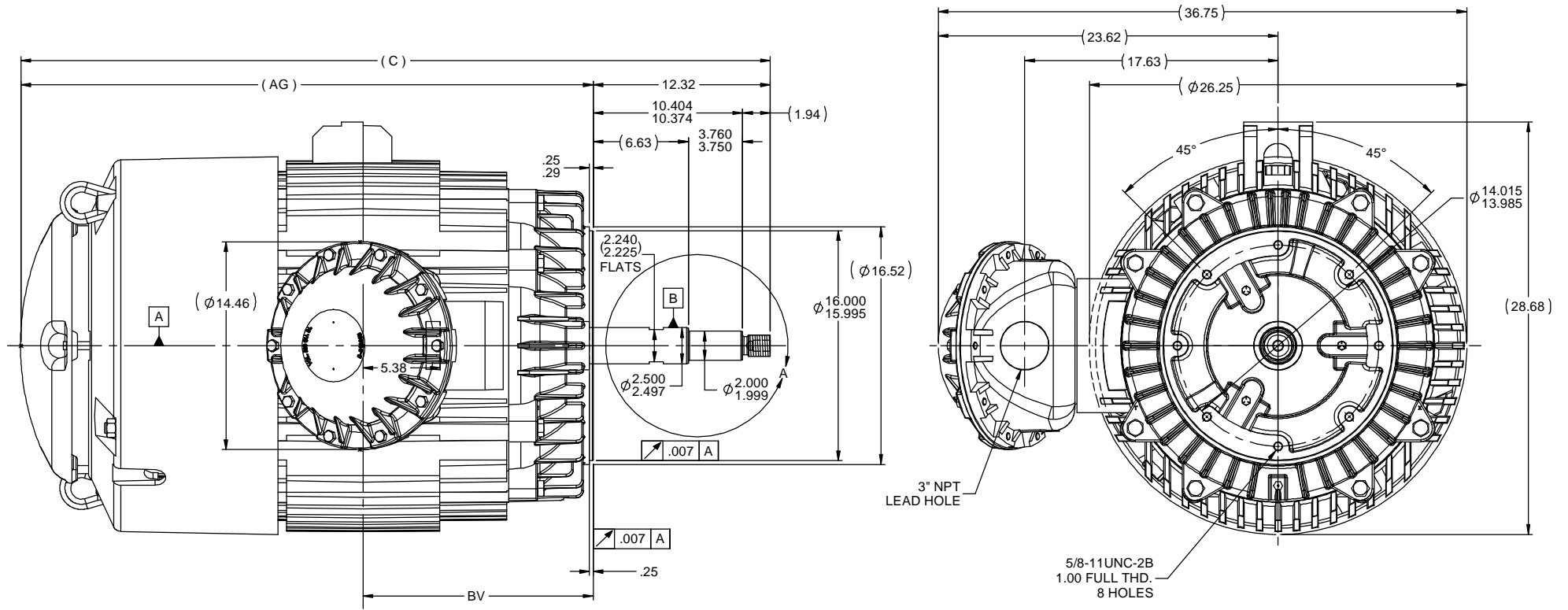
Nameplate Specifications

Phase	3	Output HP	150 Hp
Output KW	112.0 kW	Voltage	460 V
Speed	3570 rpm	Service Factor	1.15
Frame	445TCVZ	Enclosure	Explosion Proof Fan cooled
Thermal Protection	No Protection	Efficiency	94.5 %
Ambient Temperature	55 °C	Frequency	60 Hz
Current	168.0 A	Power Factor	88
Duty	Continuous	Insulation Class	F
Design Code	B	KVA Code	G
Drive End Bearing Size	6314	Opp Drive End Bearing Size	6313
UL	No	CSA	N
CE	N	IP Code	54
Number of Speeds	1	Hazardous Location	EXP PROOF CL I GR C&D T2A

Technical Specifications

Electrical Type	Squirrel Cage Inverter Rated	Starting Method	Line Or Inverter
Poles	2	Rotation	Reversible
Resistance Main	.022 Ohms	Mounting	Round
Motor Orientation	Shaft Down	Drive End Bearing	Ball
Opp Drive End Bearing	Ball	Frame Material	Cast Iron
Shaft Type	Single Special Extension	Assembly/Box Mounting	F1/F2 CAPABLE
Outline Drawing	B-SS552137-2025	Connection Drawing	A-EE7300U

This is an uncontrolled document once printed or downloaded and is subject to change without notice. Date Created:09/24/2024

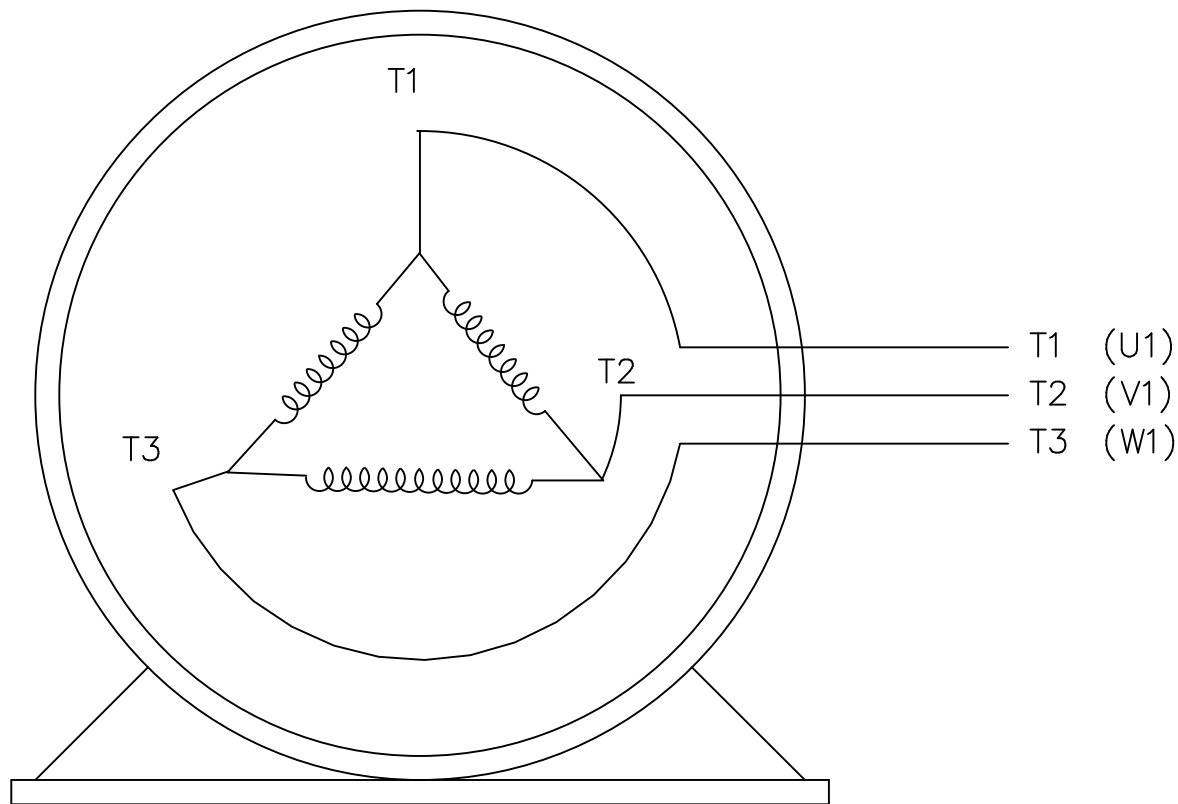
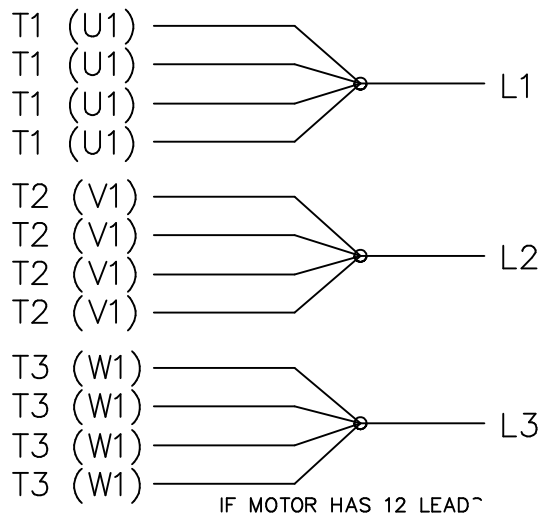
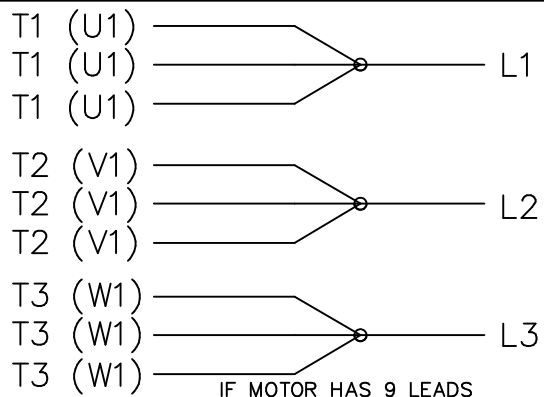
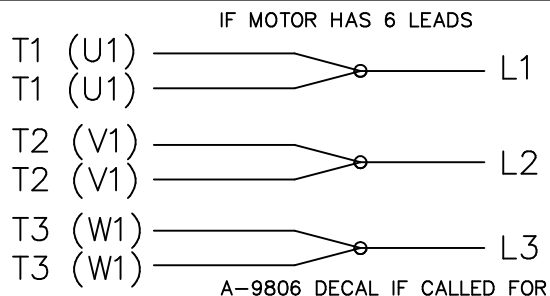


NOTES:
 1. CONDUIT BOX CAN BE ROTATED IN 90° STEPS.
 2. NAMEPLATES TO BE READ FROM CONDUIT BOX SIDE OF MOTOR.


DASH	FRAME	C	AG	BV
2025	440TCVZ	52.11	39.79	16.00

NO	REVISION	BY & DATE	CHK	LANG	±730"	FINISH	MATL	TITLE	DRAWN	DATE	
6	UPDATED MODEL REVD BV DIM. WAS 15.75	MU105400	JJB	12/27/2011	MUS	TOLERANCES UNLESS SPECIFIED			TAT	10-10-2006	
5	REVISED SHAFT EXTENSION	ISAAC 11-1324	VGJ	4/20/2011	EMH	DEC	INCHES		CHK	ML 10-10-2006	
4	UPDATE TO NEW BOLT-ON CBOX		RWR	05/31/2007	ML	X	±.1		APPR	SW 10-11-2006	
3	UPDATED TO SHOW PIPE NIPPLE	MU78960	TJW	5/24/2007	ML	XX	±.03	OUTLINE - VERT. - SPL EXT.		SCALE	1:6.8
2	REVISED SHAFT EXT. PER CN40781		TJW	5/23/2007	ML	XXX	±.005	440TCVZ FR. - EPFC - TGN		REF	
1	UPDATE D.E. EXT. AND ADD DETAIL	CN40940	RWR	01-17-2007	ML	XXXX	±.0005		FMF	MU75601	
		REVISION	BY & DATE	CHK	LANG	±730"	FINISH		PAGE	OF	
		THIRD ANGLE PROJECTION		RFP	PREV	NETWORK FILE NAME	SS552137		SIZE	DRAWING NO	REV
									B	SS552137	6





VIEW OF TERMINAL END

				TOLERANCES UNLESS SPECIFIED			DRAWN KL 12-06-2000				
				DEC.	INCHES		CHK DJK 12-06-2000				
				.X	±.1		APPD DJK 12-06-2000				
				.XX	±.02		SCALE				
2	ADDED TABLES	CN39272	RJW 06-03-2005	ML	.XXX	±.005	TITLE EXTERNAL CONNECTION DIAGRAM 3Ø SINGLE VOLTAGE DELTA				
1	NEW DRAWING	MU34873	KL 12-06-2000		.XXXX	±.0005				REF	
NO.	REVISION	BY & DATE	CHK	ANG	±7'30"	FINISH	PREV				
THIS DRAWING IN DESIGN AND DETAIL IS OUR PROPERTY AND MUST NOT BE USED EXCEPT IN CONNECTION WITH OUR WORK ALL RIGHTS OF DESIGN AND INVENTION ARE RESERVED THIS IS AN ELECTRONICALLY GENERATED DOCUMENT - DO NOT SCALE THIS PRINT				RFP	CAD FILE EE7300U_LN			SIZE	DRAWING NO.	PAGE OF	REV.
				DIST	LE		A	EE7300U-LN		2	