

PRODUCT INFORMATION PACKET

Model No: 445TTFN8042

Catalog No: L460

Other Purpose Motor, 300 HP, 3 Ph, 60 Hz, 460 V, 1800 RPM, 445T Frame, TEFC

Regal and are trademarks of Regal Rexnord Corporation or one of its affiliated companies.
©2022 Regal Rexnord Corporation, All Rights Reserved. MC017097E



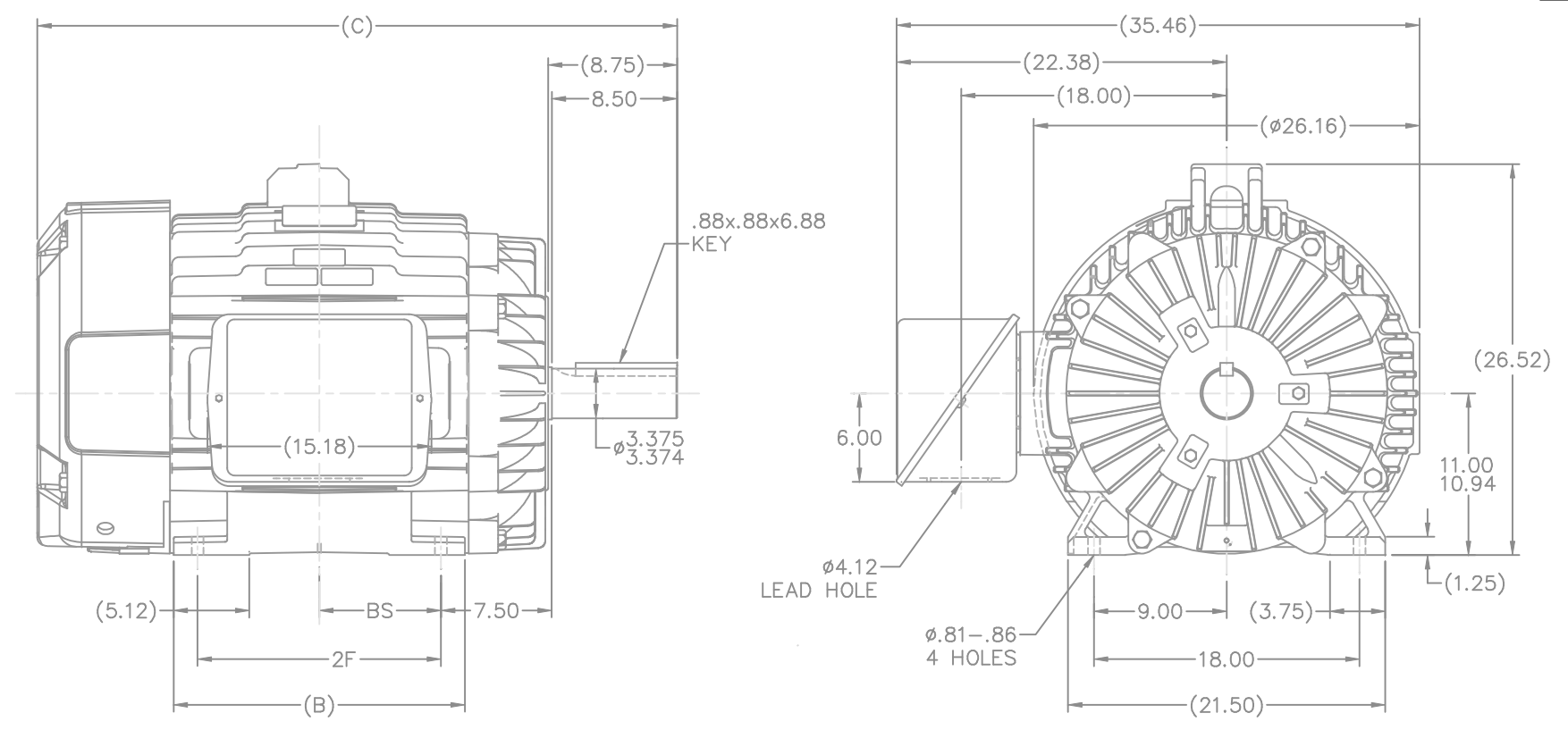
Nameplate Specifications

Output HP	300 Hp	Output KW	224.0 kW
Frequency	60 Hz	Voltage	460 V
Current	340.0 A	Speed	1785 rpm
Service Factor	1	Phase	3
Efficiency	95 %	Power Factor	86
Duty	Continuous	Insulation Class	H
Design Code	B	KVA Code	G
Frame	445T	Enclosure	Totally Enclosed Fan Cooled
Thermal Protection	No Protection	Ambient Temperature	40 °C
Drive End Bearing Size	NU318	Opp Drive End Bearing Size	6316
UL	Recognized	CSA	Y
CE	Y	IP Code	43
Number of Speeds	1		

Technical Specifications

Electrical Type	Squirrel Cage Induction Run	Starting Method	Part Wdg Start & Wye Start Delta Run
Poles	4	Rotation	Reversible
Resistance Main	.0125 Ohms	Mounting	Rigid Base
Motor Orientation	Horizontal	Drive End Bearing	Roller
Opp Drive End Bearing	Ball	Frame Material	Cast Iron
Shaft Type	T	Overall Length	43.19 in
Frame Length	20.25 in	Shaft Diameter	3.375 in
Shaft Extension	8.5 in	Assembly/Box Mounting	F1/F2 CAPABLE
Outline Drawing	B-SS517554-2025	Connection Drawing	A-EE7300BH

This is an uncontrolled document once printed or downloaded and is subject to change without notice. Date Created:09/07/2022

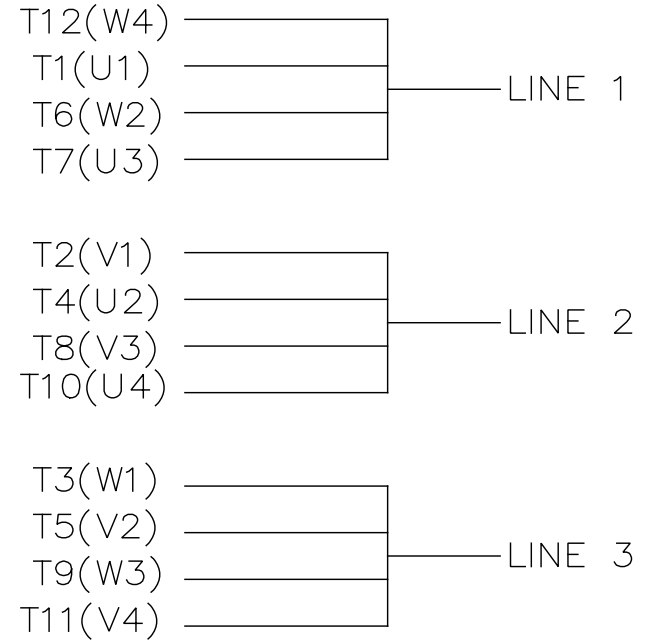


- NOTES:
 1. C. BOX CAN BE ROTATED IN 90° STEPS.
 2. C. BOX CAN BE MOUNTED ON OPPOSITE SIDE.
 3. NAMEPLATES TO BE READ FROM CONDUIT BOX SIDE OF MOTOR.

(SEE B-SS513797 FOR TAPPED L. HOLE)

DASH	FRAME	B	C	2F	BS
1825	444T	17.75	41.19	14.50	7.25
2025	445T	19.75	43.19	16.50	8.25

				TOLERANCES UNLESS SPECIFIED		MARATHON ELECTRIC		DRAWN DRS 02-24-2000			
				DEC.	INCHES			CHK	ML 02-24-2000		
				.X	±.1			APPD	GK 02-24-2000		
				.XX	±.03	TITLE OUTLINE - TEFC 444-445T FR. -STD.		SCALE	1=7.5		
2	CHG. TO SHORT FAN GUARD DESIGN PER CN39335	RWR 02-28-2007	ML	.XXX	±.005			REF			
1	NEW DRAWING CN28432	DRS 01-24-2000		.XXXX	±.0005	MAT'L		FMF			
NO.	REVISION	BY & DATE	CHK	ANG	±1/2"	FINISH	PREV				
THIS DRAWING IN DESIGN AND DETAIL IS OUR PROPERTY AND MUST NOT BE USED EXCEPT IN CONNECTION WITH OUR WORK ALL RIGHTS OF DESIGN AND INVENTION ARE RESERVED THIS IS AN ELECTRONICALLY GENERATED DOCUMENT - DO NOT SCALE THIS PRINT				RFP	02-24-2000	CAD FILE	ss517554	SIZE	DRAWING NO.	PAGE OF	REV.
				DIST	WA	B	SS517554	2	2		



VIEW OF TERMINAL END

				TOLERANCES UNLESS SPECIFIED		REGAL REGAL-BELOIT CORPORATION	DRAWN RJW 02-11-2005				
				DEC.	INCHES		CHK	ML	02-11-2005		
				.X	±.1		APPD	GK	02-11-2005		
				.XX	±.02	TITLE CONNECTION DIAGRAM		SCALE			
D	CHANGED TO REGAL TITLE BLOCK	ECO-0108299	WGJ 08/22/2016	EMH	.XXX ±.005	12 LEAD- SINGLE VOLTAGE		REF			
1	ADDED IEC TERMINAL MARKINGS	CN 41429	JJB 05/24/2007	ML	.XXXX ±.0005	MAT'L.		FMF			
NO.	REVISION	BY & DATE	CHK	ANG	±7'30"	FINISH		PREV			
THIS DRAWING IN DESIGN AND DETAIL IS OUR PROPERTY AND MUST NOT BE USED EXCEPT IN CONNECTION WITH OUR WORK ALL RIGHTS OF DESIGN AND INVENTION ARE RESERVED THIS IS AN ELECTRONICALLY GENERATED DOCUMENT - DO NOT SCALE THIS PRINT						RFP 02-11-2005	CAD FILE ee7300bh	SIZE A	DRAWING NO. EE7300BH	PAGE OF	REV. C
						DIST LB					