

PRODUCT INFORMATION PACKET

Model No: 445TTFN6037

Catalog No: E317

150 HP General Purpose Motor, 3 phase, 1800 RPM, 575 V, 445T Frame, TEFC
General Purpose Motors



Regal and Marathon are trademarks of Regal Rexnord Corporation or one of its affiliated companies.
©2021 Regal Rexnord Corporation, All Rights Reserved. MC017097E



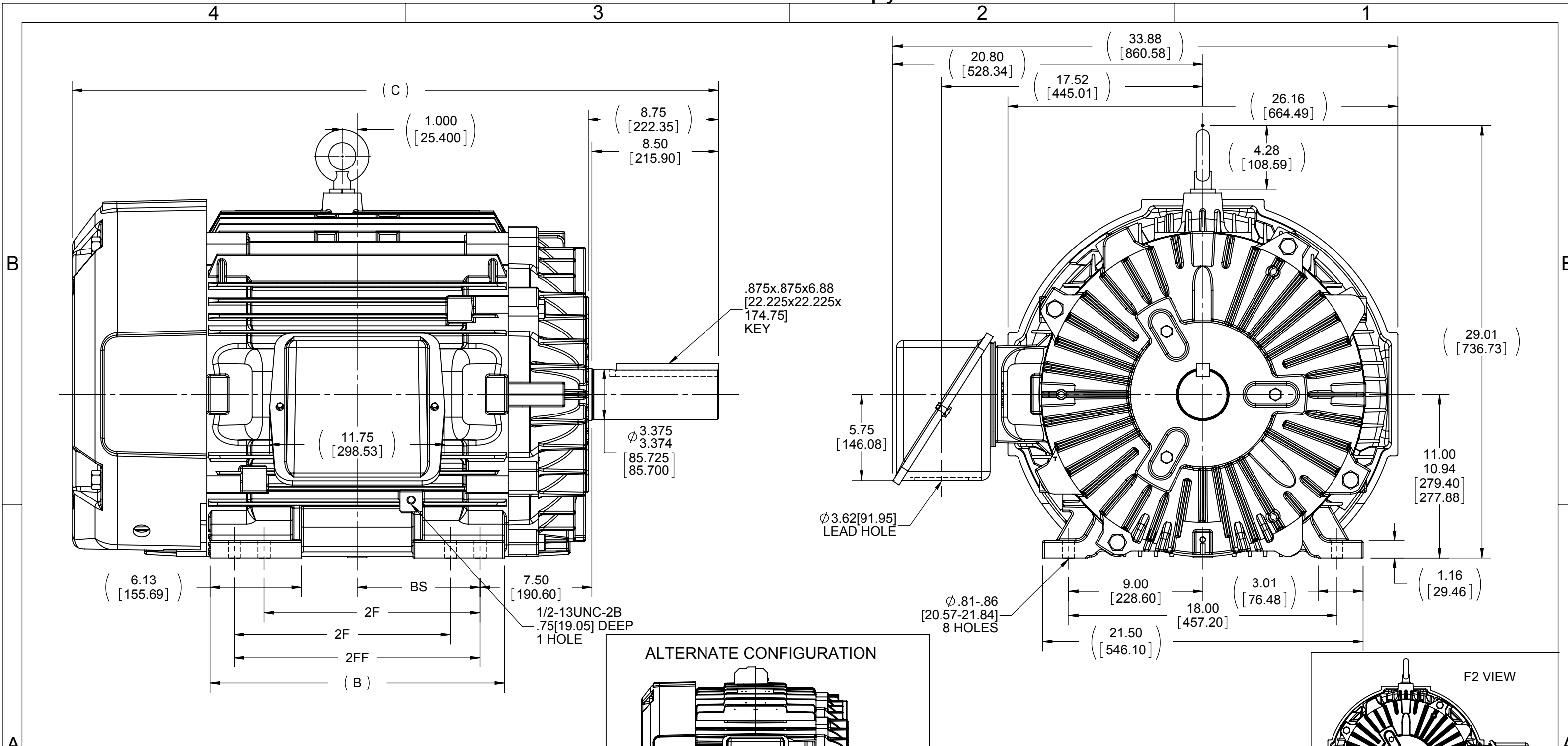
Nameplate Specifications

Output HP	150 Hp	Output KW	112.0 kW
Frequency	60 Hz	Voltage	575 V
Current	138.0 A	Speed	1785 rpm
Service Factor	1.15	Phase	3
Efficiency	95.8 %	Power Factor	85
Duty	Continuous	Insulation Class	F
Design Code	B	KVA Code	G
Frame	445T	Enclosure	Totally Enclosed Fan Cooled
Thermal Protection	No	Ambient Temperature	40 °C
Drive End Bearing Size	6318	Opp Drive End Bearing Size	6316
UL	Recognized	CSA	Y
CE	Y	IP Code	43
Number of Speeds	1		

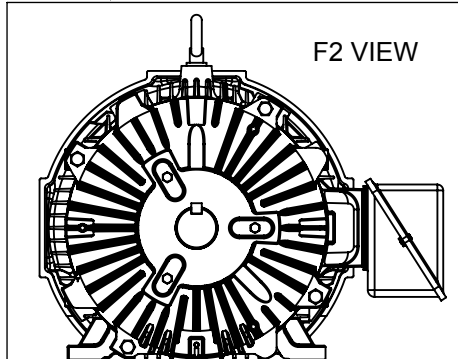
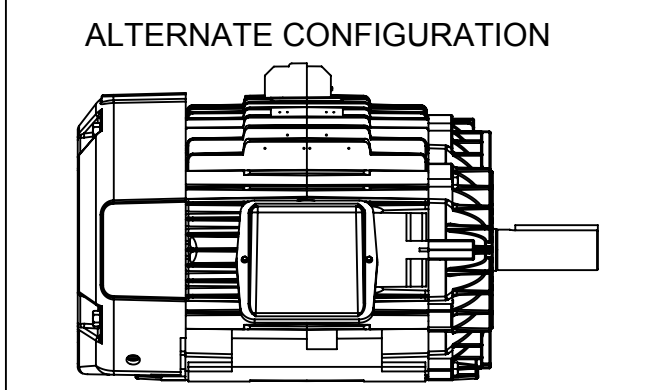
Technical Specifications

Electrical Type	Squirrel Cage Induction Run	Starting Method	Part Wdg Start
Poles	4	Rotation	Reversible
Resistance Main	.0275 Ohms	Mounting	Rigid Base
Motor Orientation	Horizontal	Drive End Bearing	Ball
Opp Drive End Bearing	Ball	Frame Material	Cast Iron
Shaft Type	T	Overall Length	43.35 in
Frame Length	20.25 in	Shaft Diameter	3.375 in
Shaft Extension	8.75 in	Assembly/Box Mounting	F1/F2 Capable
Connection Drawing	A-EE7341B	Outline Drawing	B-SS513898-2025

This is an uncontrolled document once printed or downloaded and is subject to change without notice. Date Created:10/12/2021



- NOTES:
 1. CONDUIT BOX CAN BE ROTATED IN 90° STEPS.
 2. CONDUIT BOX CAN BE MOUNTED ON OPPOSITE SIDE BY REMOVING BRACKETS AND TURNING FRAME 180°
 3. NAMEPLATES TO BE READ FROM CONDUIT BOX SIDE OF MOTOR.



DASH	FRAME	B	C	BS	2F	2FF
1825	444T	17.75 [450.85]	41.35 [1050.29]	7.25 [184.15]	14.50 [368.30]	---
2025	444/445T	19.75 [501.65]	43.35 [1101.09]	8.25 [209.55]	14.50 [368.30]	16.50 [419.10]

DRAWING REVISION D	REVISION BY AJW	DATE 09-24-2014
ECO ECO-0060970	APPROVED BY JHA	DATE 09-24-2014
ECO DESCRIPTION UPDATED TO CURRENT STANDARDS COPYRIGHT REGAL BELOIT AMERICA, INC. ALL RIGHTS RESERVED PROPRIETARY AND CONFIDENTIAL INFORMATION - THIS DOCUMENT IS THE PROPERTY OF REGAL BELOIT AMERICA, INC. ("OWNER") AND CONTAINS OWNER'S PROPRIETARY INFORMATION. ANY PERSON, CORPORATION OR OTHER FIRM RECEIVING IT IS DEEMED, BY RECEIVING IT, TO AGREE THAT IT, AND/OR ANY PART OF IT, SHALL NOT BE DISCLOSED TO ANY PERSON, CORPORATION OR OTHER ENTITY, DUPLICATED, AND/OR USED, EXCEPT AS EXPRESSLY APPROVED IN WRITING IN ADVANCE BY OWNER. THIS DOCUMENT SHALL BE RETURNED TO OWNER UPON REQUEST. IT MAY BE SUBJECT TO CERTAIN RESTRICTIONS UNDER APPLICABLE EXPORT CONTROL LAWS AND REGULATIONS.		

TOLERANCES UNLESS OTHERWISE SPECIFIED:
 DEC. INCH mm ANGLE
 .X ±0.1 [±2.5] ±7° 30"
 .XX ±0.03 [±0.76]
 .XXX ±0.005 [±0.127]
 .XXXX ±0.0005 [±0.0127]
 REMOVE BURRS & BREAK SHARP EDGES: .003/.015 [0.076/.381]
 CORNER FILLETS: .02 [0.51]
 MACHINED SURFACES: 200 INCH mm 5.1
 mm SHOWN IN [BRACKETS]

DRAWN BY
DA
DATE
12/28/1990
APPROVED BY
ML
DATE
1/3/1991
REFERENCE
THIRD ANGLE PROJECTION

REGAL™ Regal Beloit America, Inc.

DESCRIPTION
OUTLINE
444-445T FR. - STD

MATERIAL PROCESS/FINISH

SIZE B DRAWING NUMBER **SS513898** SHEET 1 OF 1

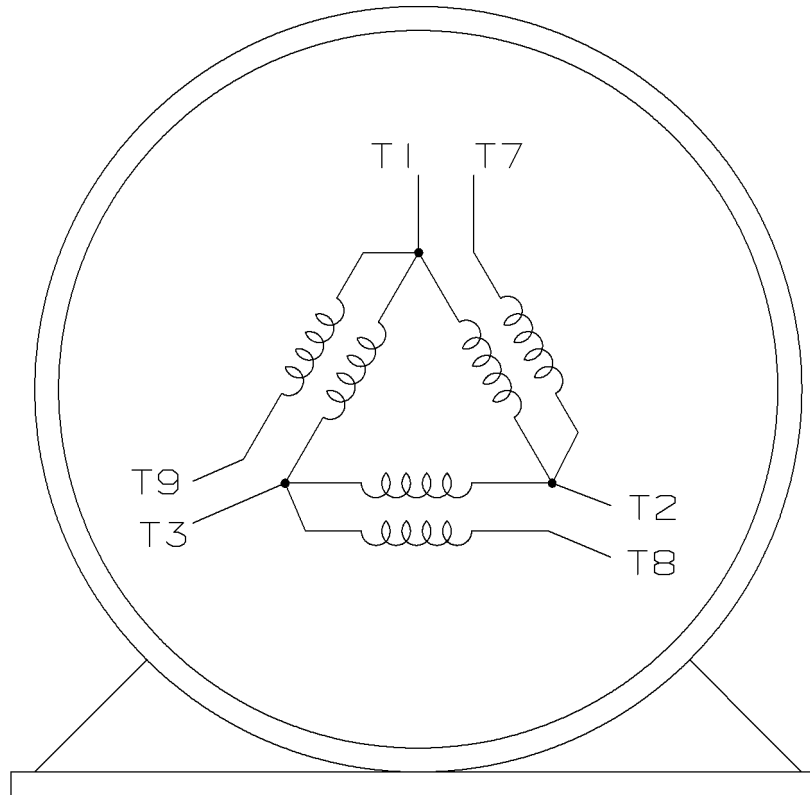
START


CONNECT T1 TO LINE 1
 " " T2 TO LINE 2
 " " T3 TO LINE 3

THREE PHASE - PART WINDING START
 2 CKT DELTA - 6 LEADS

RUN

CONNECT T1 & T7 TO LINE 1
 " " T2 & T8 TO LINE 2
 " " T3 & T9 TO LINE 3



				<input checked="" type="checkbox"/> SURFACE ROUGHNESS UNLESS NOTED OTHERWISE	UNLESS OTHERWISE SPECIFIED DIMENSIONS ARE IN INCHES TOL ON XX± XXX±.005 XXXX±.0005 ANGLES±		
				MATL SPEC			DRAWN BY MJD 04-02-97 CHKD BY ML 04-09-97 APPD BY GK 04-09-97
				FINISH	 WAUSAU, WISCONSIN 54401		
3	04-09-97	REDRAWN ON CADD - NO CHANGES	MJD	PART NAME CONNECTION DIAGRAM			DRWG NO
REV	DATE	CHANGE	NAME	THREE PHASE - 2 CKT Δ - 6 LEADS			A-EE7341B
		PURCHASED		DISTRIBUTION - WA - LB - WP - LM		CADD FILE NO.	EE7341B

ERROR: syntaxerror
OFFENDING COMMAND: --nostringval--

STACK:

/im
-savelevel-