

# PRODUCT INFORMATION PACKET

marathon®  
Motors

Model No: 445TTFC6102

Catalog No: GT10133

Globetrotter® General Purpose Motor, 125 & 100 HP, 3 Ph, 60 & 50 Hz, 460 & 380 V, 900 & 750 RPM,  
445T Frame, TEFC



Regal and Marathon are trademarks of Regal Rexnord Corporation or one of its affiliated companies.

©2023 Regal Rexnord Corporation, All Rights Reserved. MC017097E

RegalRexnord

### Nameplate Specifications

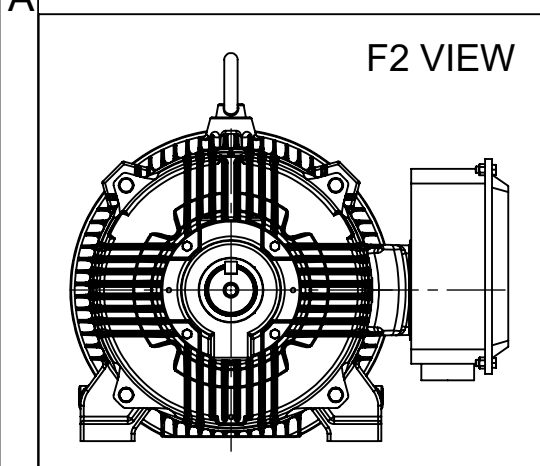
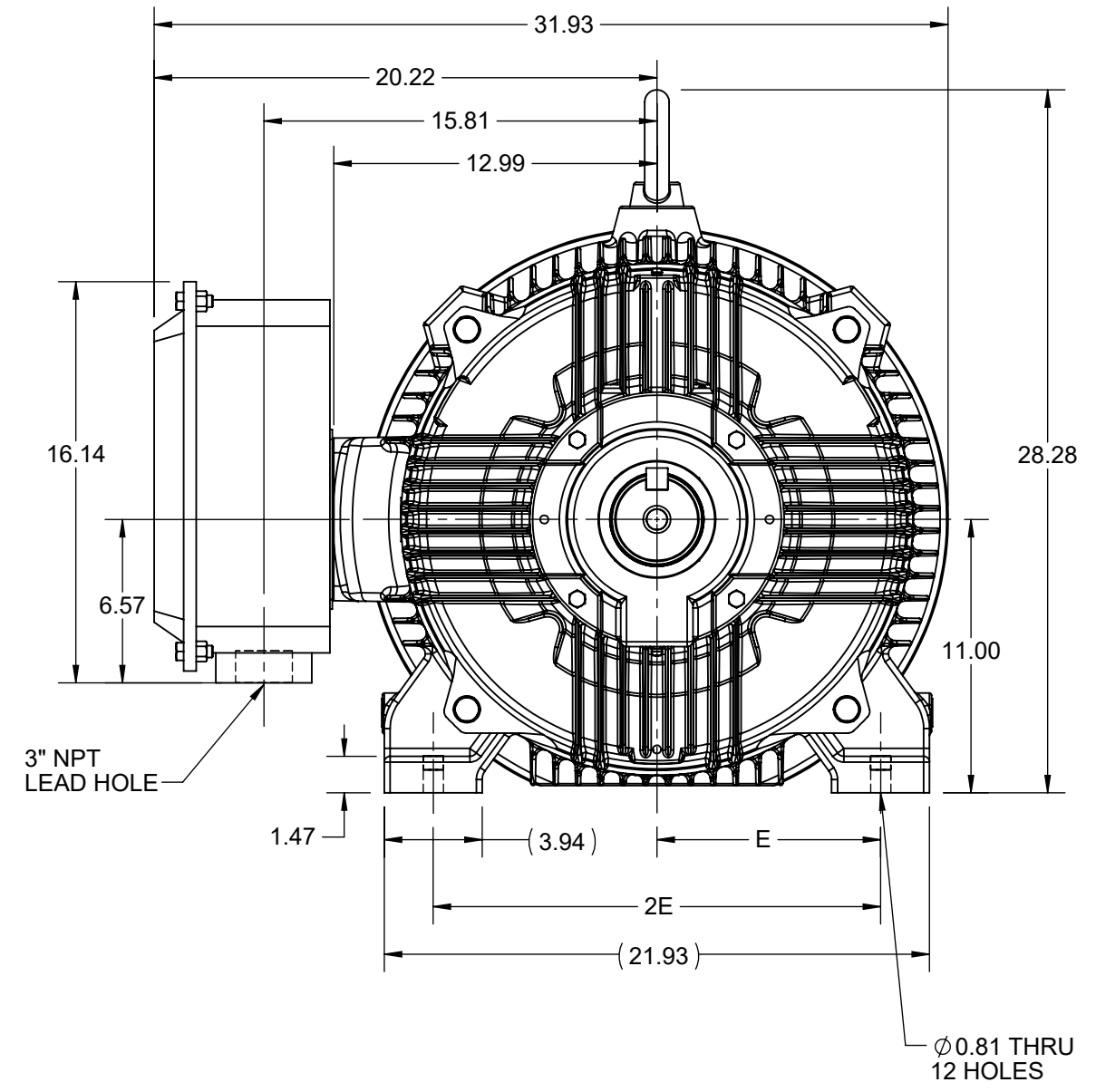
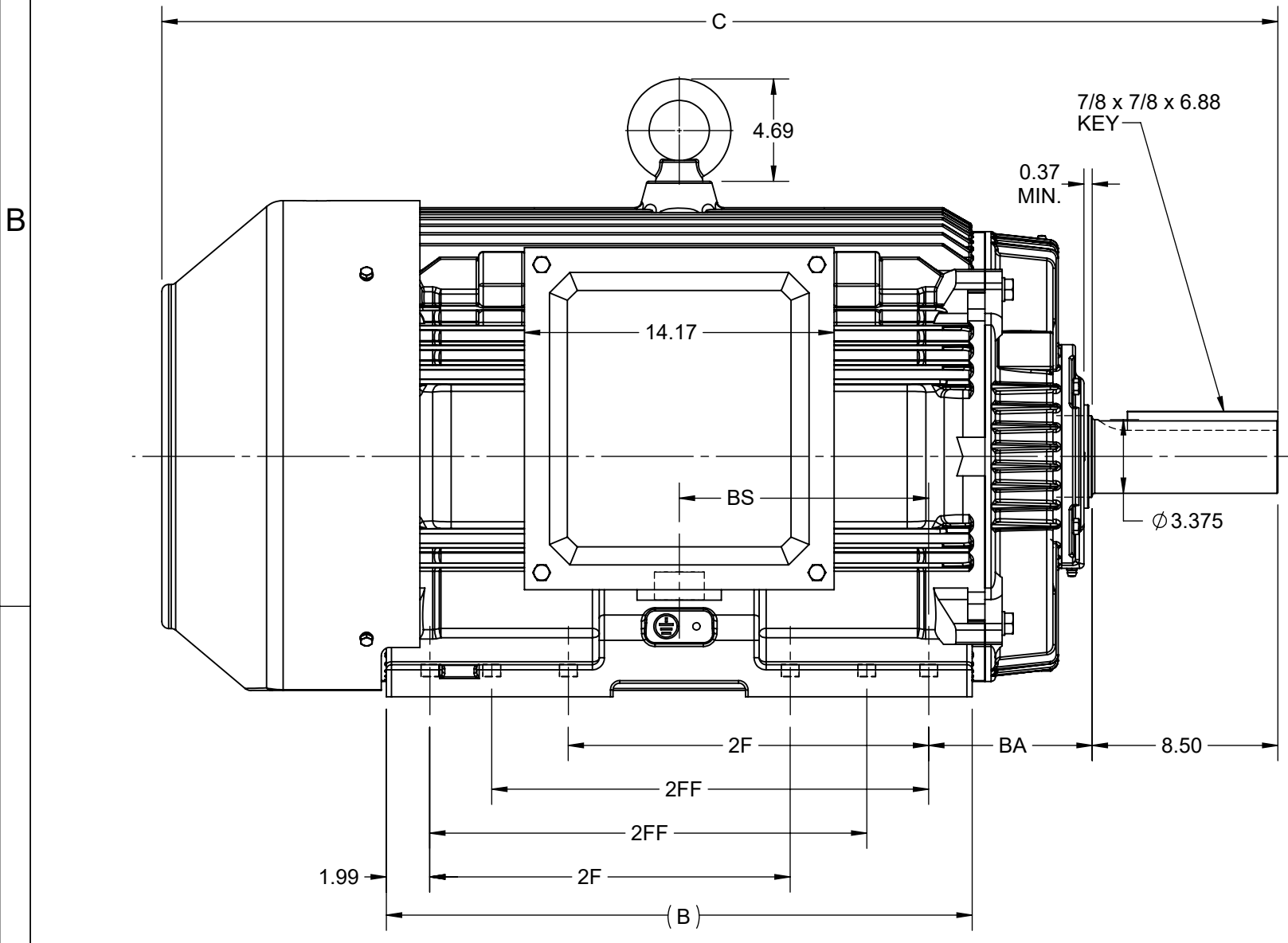
Phase	<b>3</b>	Output HP	<b>125 &amp; 100 Hp</b>
Output KW	<b>93.0 &amp; 75.0 kW</b>	Voltage	<b>460 &amp; 380 V</b>
Speed	<b>890 &amp; 742 rpm</b>	Service Factor	<b>1.15 &amp; 1.15</b>
Frame	<b>445T</b>	Enclosure	<b>Totally Enclosed Fan Cooled</b>
Thermal Protection	<b>No Protection</b>	Efficiency	<b>94.1 &amp; 94.5 %</b>
Ambient Temperature	<b>40 °C</b>	Frequency	<b>60 &amp; 50 Hz</b>
Current	<b>162 &amp; 156 A</b>	Power Factor	<b>76.2</b>
Duty	<b>Continuous</b>	Insulation Class	<b>F</b>
Design Code	<b>B</b>	KVA Code	<b>G</b>
Drive End Bearing Size	<b>6319</b>	Opp Drive End Bearing Size	<b>6317</b>
UL	<b>Recognized</b>	CSA	<b>Y</b>
CE	<b>Y</b>	IP Code	<b>55</b>
Number of Speeds	<b>1</b>		

### Technical Specifications

Electrical Type	<b>Squirrel Cage Inverter Rated</b>	Starting Method	<b>Line Or Inverter</b>
Poles	<b>8</b>	Rotation	<b>Reversible</b>
Resistance Main	<b>.0317 Ohms</b>	Mounting	<b>Rigid Base</b>
Motor Orientation	<b>Horizontal</b>	Drive End Bearing	<b>Ball</b>
Opp Drive End Bearing	<b>Ball</b>	Frame Material	<b>Cast Iron</b>
Shaft Type	<b>T</b>	Shaft Diameter	<b>3.375 in</b>
Assembly/Box Mounting	<b>F1/F2 CAPABLE</b>	Inverter Load	<b>CONSTANT 2:1/VARIABLE 10:1</b>
Outline Drawing	<b>SS621198</b>	Connection Drawing	<b>EE7300</b>

This is an uncontrolled document once printed or downloaded and is subject to change without notice. Date Created:06/23/2023

		4				3				
B	C	E	2E	2F	2FF	BA	BS	MOUNTING		
26.81	51.08	9.00	18.00	16.50	20.00	7.50	11.42	F1 OR F2		



DRAWING REVISION B	REVISION BY VS	REV DATE/© DATE 22-07-2021
ECO CR-0003684	APPROVED BY GNK	DATE 22-07-2021
ECO DESCRIPTION <b>VIEWS UPDATED</b>		
<small>COPYRIGHT (PER REVISION DATE) REGAL BELOIT AMERICA, INC. ALL RIGHTS RESERVED. PROPRIETARY AND CONFIDENTIAL INFORMATION - THIS DOCUMENT IS THE PROPERTY OF REGAL BELOIT AMERICA, INC. ("OWNER") AND CONTAINS OWNER'S PROPRIETARY INFORMATION. ANY PERSON, CORPORATION OR OTHER FIRM RECEIVING IT IS DEEMED, BY RECEIVING IT, TO AGREE THAT IT, AND/OR ANY PART OF IT, SHALL NOT BE DISCLOSED TO ANY PERSON, CORPORATION OR OTHER ENTITY, DUPLICATED, AND/OR USED, EXCEPT AS EXPRESSLY APPROVED IN WRITING IN ADVANCE BY OWNER. THIS DOCUMENT SHALL BE RETURNED TO OWNER UPON REQUEST. IT MAY BE SUBJECT TO CERTAIN RESTRICTIONS UNDER APPLICABLE EXPORT CONTROL LAWS AND REGULATIONS.</small>		

PRIMARY DIMENSIONS ARE INCH  
mm DIMENSIONS IN [BRACKETS]  
ARE FOR REFERENCE ONLY

DRAWN BY VS	<b>REGAL</b> ® Regal Beloit America, Inc.	
DATE 21-06-2021	DESCRIPTION <b>OUTLINE</b> 445/447T FR NEMA TEFC	
APPROVED BY GNK	MATERIAL	PROCESS/FINISH
DATE 21-06-2021	SIZE B	DRAWING NUMBER SS621198
REFERENCE	THIRD ANGLE PROJECTION	SHEET 1 OF 1

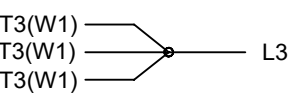
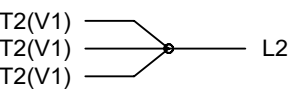
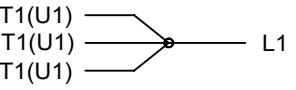
THREE PHASE - SINGLE VOLTAGE  
MOTOR - CONDUIT BOX @ 'A'

TERMINAL BLOCK WHEN SPECIFIED

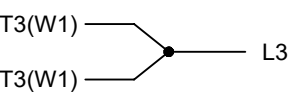
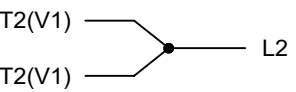
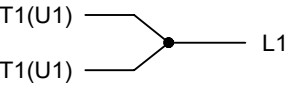
TO REVERSE ROTATION:  
INTERCHANGE ANY TWO LINE  
LEAD CONNECTIONS



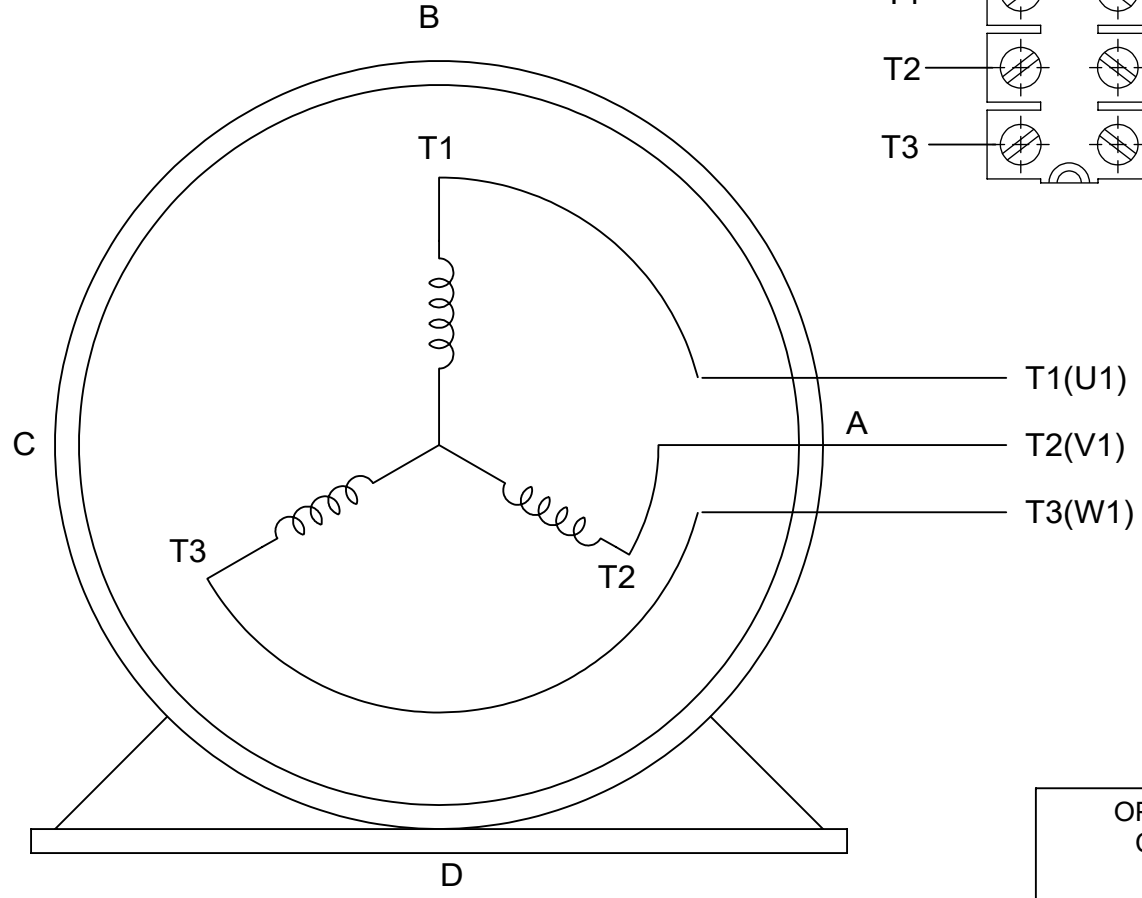
IF MOTOR HAS  
9 LEADS



IF MOTOR HAS  
6 LEADS



A-9806 DECAL



VIEW OF TERMINAL END

OPTIONAL CORD CONNECTION	
L1	WHITE
L2	RED
L3	BLACK

DRAWING REVISION AC	REVISION BY BS	REV DATE/© DATE 26/07/2022
REQUEST NUMBER CR-0010402	APPROVED BY SN	DATE 26/07/2022
REQUEST NUMBER DESCRIPTION DRAWING UPDATED		
<small>COPYRIGHT (PER REVISION DATE) REGAL BELOIT AMERICA, INC. ALL RIGHTS RESERVED. PROPRIETARY AND CONFIDENTIAL INFORMATION - THIS DOCUMENT IS THE PROPERTY OF REGAL BELOIT AMERICA, INC. ("OWNER") AND CONTAINS OWNER'S PROPRIETARY INFORMATION. ANY PERSON, CORPORATION OR OTHER FIRM RECEIVING IT IS DEEMED, BY RECEIVING IT, TO AGREE THAT IT, AND/OR ANY PART OF IT, SHALL NOT BE DISCLOSED TO ANY PERSON, CORPORATION OR OTHER ENTITY, DUPLICATED, AND/OR USED, EXCEPT AS EXPRESSLY APPROVED IN WRITING IN ADVANCE BY OWNER. THIS DOCUMENT SHALL BE RETURNED TO OWNER UPON REQUEST. IT MAY BE SUBJECT TO CERTAIN RESTRICTIONS UNDER APPLICABLE EXPORT CONTROL LAWS AND REGULATIONS.</small>		

PRIMARY DIMENSIONS ARE INCH  
mm DIMENSIONS IN [BRACKETS]  
ARE FOR REFERENCE ONLY

DRAWN BY DA
DATE 03-26-1993
APPROVED BY TB
DATE 03-26-1993
REFERENCE
THIRD ANGLE PROJECTION

		Regal Beloit America, Inc.	
DESCRIPTION <b>CONNECTION DIAGRAM</b> EXTERNAL - SINGLE VOLTAGE - 3Ø MOTOR			
MATERIAL		PROCESS/FINISH	
SIZE A	DRAWING NUMBER EE7300		SHEET 1 OF 1



P.O. BOX 8003  
 WAUSAU, WI 54401-8003  
 PH. 715-675-3311

DATA VOLTS: 460

**CERTIFICATION DATA SHEET**

CUSTOMER:  
 ORDER #:  
 CONN. DIAGRAM: EE7300  
 OUTLINE: SS621198  
 WINDING: HA32808001 NONE 1  
 SPEED: \_\_\_\_\_

CUSTOMER P.O. #:  
 REFERENCE MODEL #: 445TTFC06102  
 CAT #: GT10133  
 CUSTOMER PART #:  
 MOUNTING: F1/F2 CAPABLE

**TYPICAL MOTOR PERFORMANCE DATA**

HP	KW	SYNC RPM	FL RPM	FRAME	ENCLOSURE	TYPE	KVA CODE	DESIGN
125	93	900	890	445T	TEFC	TFN	G	B

PH	HZ	VOLTS	AMPS	START TYPE	DUTY	INSL	S.F.	AMB	ELEV.
3	60/50	460#380	162&156	LINE OR INVERTER	CONT	F	1.15	40	3300

F.L. EFF	94.1	3/4 LD EFF	94.1	1/2 LD EFF	93.8	GTD EFF	ELECT. TYPE
F.L. PF	76.2	3/4 LD PF	70.8	1/2 LD PF	59.5	93.6	SQ CAGE INV RATED

F.L. TORQUE	LR AMPS @ 460 V	L.R. TORQUE	B.D. TORQUE	F.L. RISE (°C)
738 LB-FT	890	1,265 LB-FT	171%	1,610 LB-FT 218%

SOUND PRESSURE @ 3 FT.	SOUND	POWER	ROTOR WK <sup>2</sup>	MAX. LOAD WK <sup>2</sup>	SAFE STALL TIME	STARTS/HOUR	APROX.	MOTOR WGT
72 dBA	81 dBA		129.72 LB-FT <sup>2</sup>	860 LB-FT <sup>2</sup>	60 SEC.	2	2310 LB.	

**\*\*\* SUPPLEMENTAL INFORMATION \*\*\***

DE BRACKET TYPE	ODE BRACKET TYPE	MOUNT TYPE	MOTOR ORIENTATION	SEVERE DUTY	HAZARDOUS LOCATION	DRIP COVER	SCREENS	PAINT
STANDARD	STANDARD	RIGID	HORIZONTAL	NO	NONE	YES	NONE	BLUE (ENAMEL)

DE	ODE	GREASE	SHAFT TYPE	SPECIAL DE	SPECIAL ODE	SHAFT MATERIAL	FRAME MATERIAL
BALL	BALL	POLYREX EM	T	NONE	NONE	1045 HOT ROLLED (C-204)	CAST IRON
6319	6317						

THERMOSTATS	PROTECTORS	WDG RTD's	BRG RTD's	THERMISTORS	CONTROL	SPACE HEATERS
NONE	NOT	NONE	NONE	NONE	FALSE	NA

R1 (ohms/ph)	R2 (ohms/ph)	X1 (ohms/ph)	X2 (ohms/ph)	Xm (ohms/ph)	VIBRATION (in/sec)	FLOAT
0.019	0.016	0.158	0.301	3.343	0.150	ODE

NOTES	INVERTER TORQUE: CONSTANT 2:1/VARIABLE 10:1					
	INV. HP SPEED RANGE: NONE					
	ENCODER: NONE					
	NONE PPR					

PREPARED BY:					
DATE:	11/17/2021				
	BRAKE: NONE				
	NONE NONE				
	FT-LB: NA				
	VOLTAGE: NONE				
	HZ:				
	UL: V - LI-ME-INS.CONST UL REC				

FORM: 3531 REV. 4 2/27/06

Data Sheet

Date: 11/17/2021  
 Customer: \_\_\_\_\_  
 Attention: \_\_\_\_\_  
 Submitted by: \_\_\_\_\_



445TTFCD6102

Submittal

Data @ 460 V

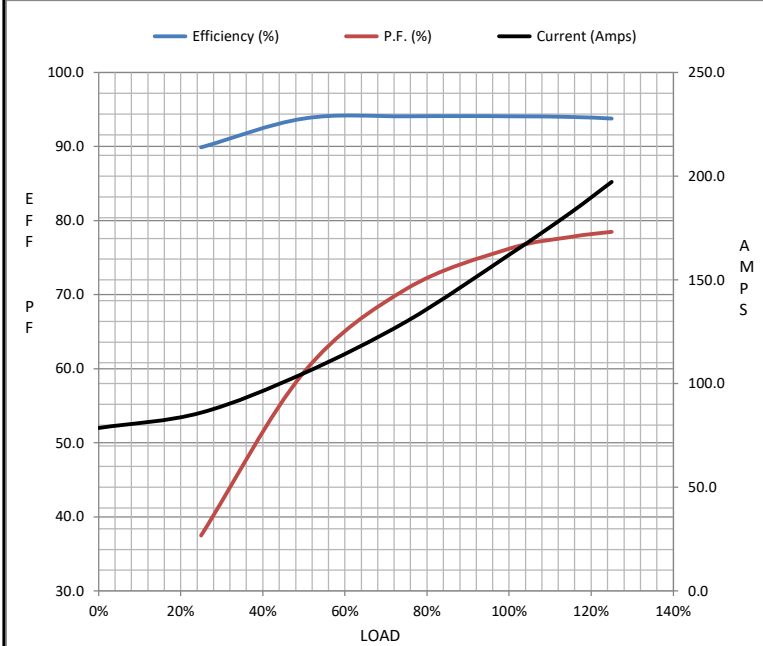
Motor Load Data

Load	0%	25%	50%	75%	100%	115%	125%	LR
Current (Amps)	78.5	86.0	105	130	162	183	197	890
Torque (ft-lb)	0.00	184	367	552	738	850	924	1,265
RPM	900	898	895	892	890	888	885	0
Efficiency (%)		89.9	93.8	94.1	94.1	94.0	93.8	
P.F. (%)	4.0	37.5	59.5	70.8	76.2	77.8	78.5	30.0

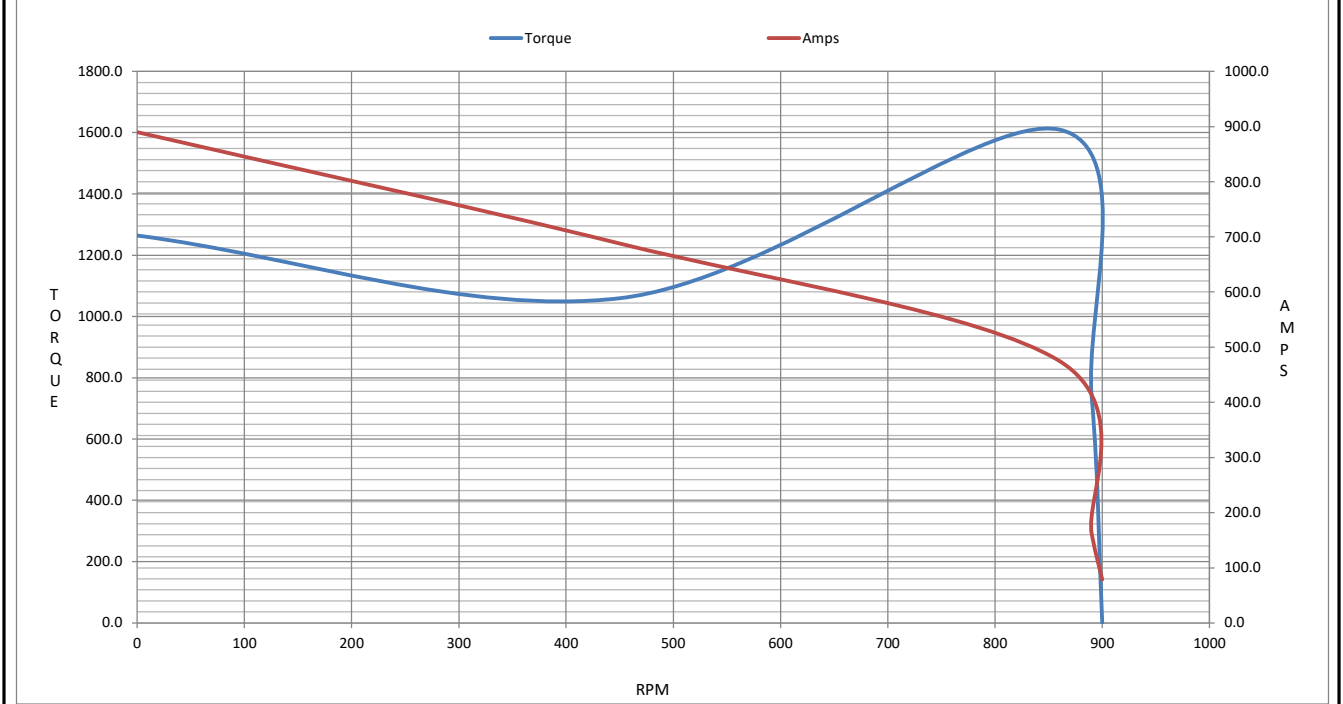
Motor Speed Data

	LR	Pull-Up	BD	Rated	Idle
Speed (RPM)	0	450	860	890	900
Current (Amps)	890	688	475	162	78.5
Torque (ft-lb)	1,265	1,060	1,610	738	0.00

Information Block				
HP	125.0			
Sync. RPM	900			
Frame	445			
Enclosure	TEFC			
Construction	TFN			
Voltage	460#380 V			
Frequency	60 Hz			
Design	B			
LR Code letter	G			
Service Factor	1.15			
Temp Rise @ FL	70 ° C			
Duty	CONT			
Ambient	40 ° C			
Elevation	3,300 feet			
Rotor/Shaft wk <sup>2</sup>	129.72 Lb-F <sup>2</sup>			
Ref Wdg	HA32808001 NONE			
Sound Pressure @ 1M	72 dBA			
VFD Rating	CONSTANT 2:1/VARIABLE 10:1			
Outline Dwg	SS621198			
Conn. Diag	EE7300			
Additional Specifications:				
0				
0				
EQUIV CKT (OHMS / PHASE)				
R1	R2	X1	X2	Xm
0.0190	0.0160	0.1580	0.3010	3.3430



Speed - Torque Curve



## EC Declaration of Conformity

The undersigned representing  
the manufacturer:

Regal Beloit America  
100 East Randolph St.  
Wausau, WI 54401

and the authorized representative  
established within the Community:

Marathon Electric UK  
6F Thistleton Road Ind. Estate  
Market Overton  
Oakham, Rutland LE15 7PP UK

are committed to providing customers with products that comply with applicable regulations and international protocols to which they are subject, including the requirements of the European Parliament Directive on the Harmonization of the laws relating to electrical equipment designed for use within certain voltage limits (2014/35/EU).

Regal Beloit America declares that the following product(s), to which this declaration relates, are in conformity with the relevant sections of the EC standards listed below.

This statement supersedes any statements previously issued pertaining to the product(s) listed below and is subject to change without notice.

Model No : 445TTFC6102

(Model No. may contain prefix and/or suffix characters)

Catalog No : GT10133

Rework No : N/A

Directives :

Low Voltage Directive 2014/35/EU

Harmonized Standards Used :

EN 60034-1: 2010 (IEC 60034-1: 2010)

EN 60034-5: 2001/A1:2007 (IEC 60034-5: 2000/A1:2006)

Authorized Representative:



Michael A. Logsdon  
Vice President, Technology

Authorized Representative in the Community:



Julian Clark  
Marketing Engineer

Created on 09/01/2022

**CE 22**