

PRODUCT INFORMATION PACKET

Model No: 445TTFCD6088

Catalog No: GT10135

Globetrotter® General Purpose Motor, 150 & 125 HP, 3 Ph, 60 & 50 Hz, 460 & 380 V, 1200 & 1000 RPM,
445T Frame, TEFC



Regal and Marathon are trademarks of Regal Rexnord Corporation or one of its affiliated companies.

©2023 Regal Rexnord Corporation, All Rights Reserved. MC017097E

Nameplate Specifications

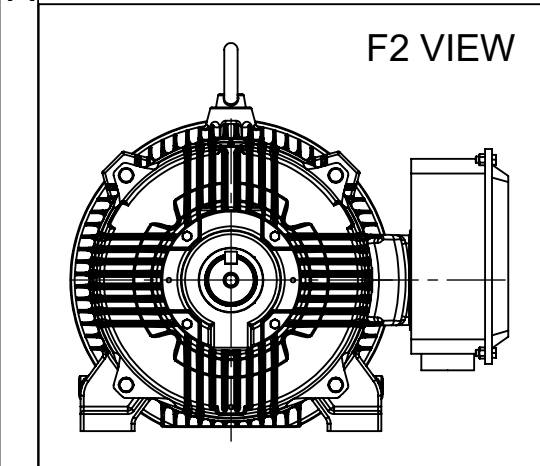
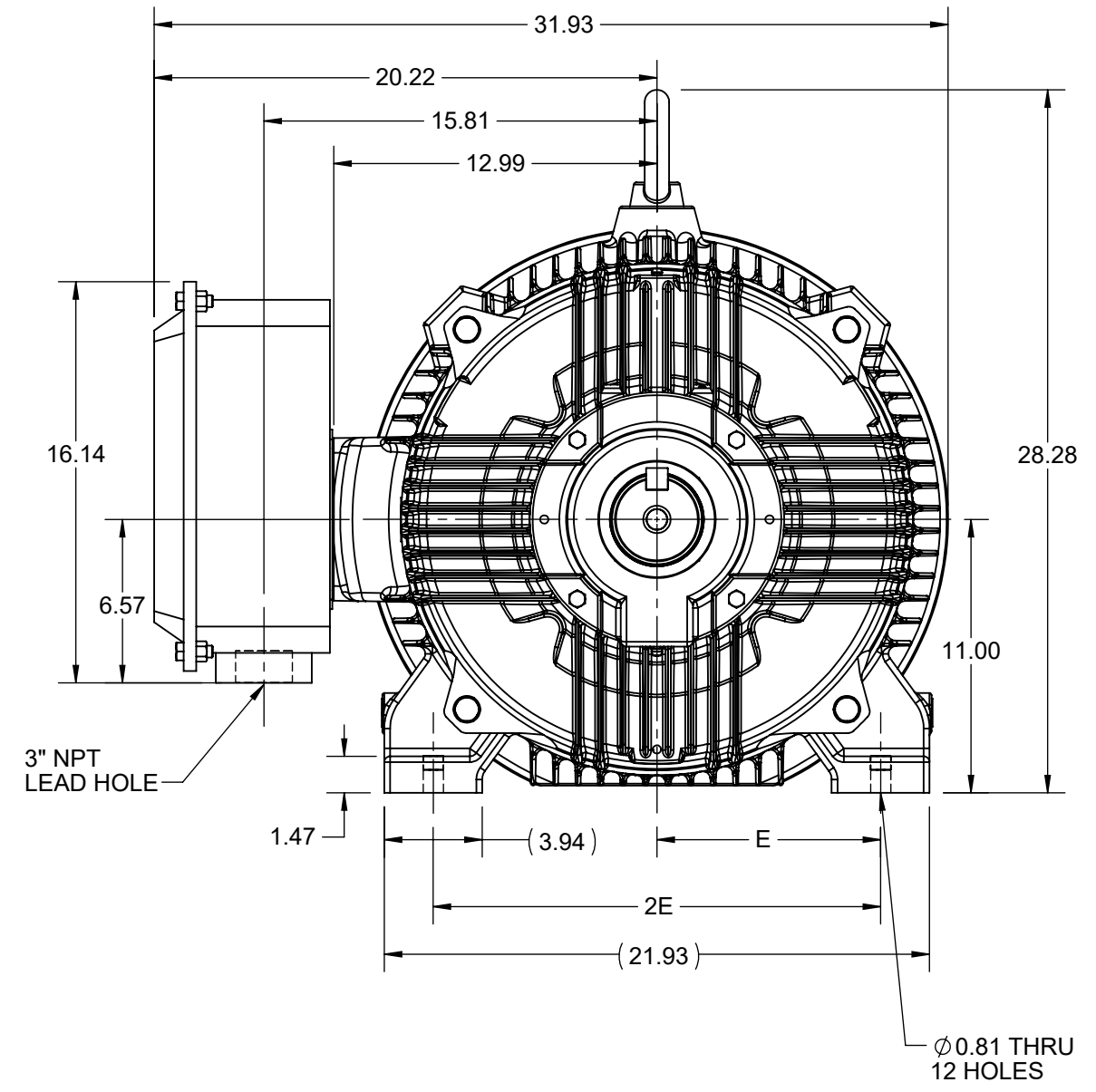
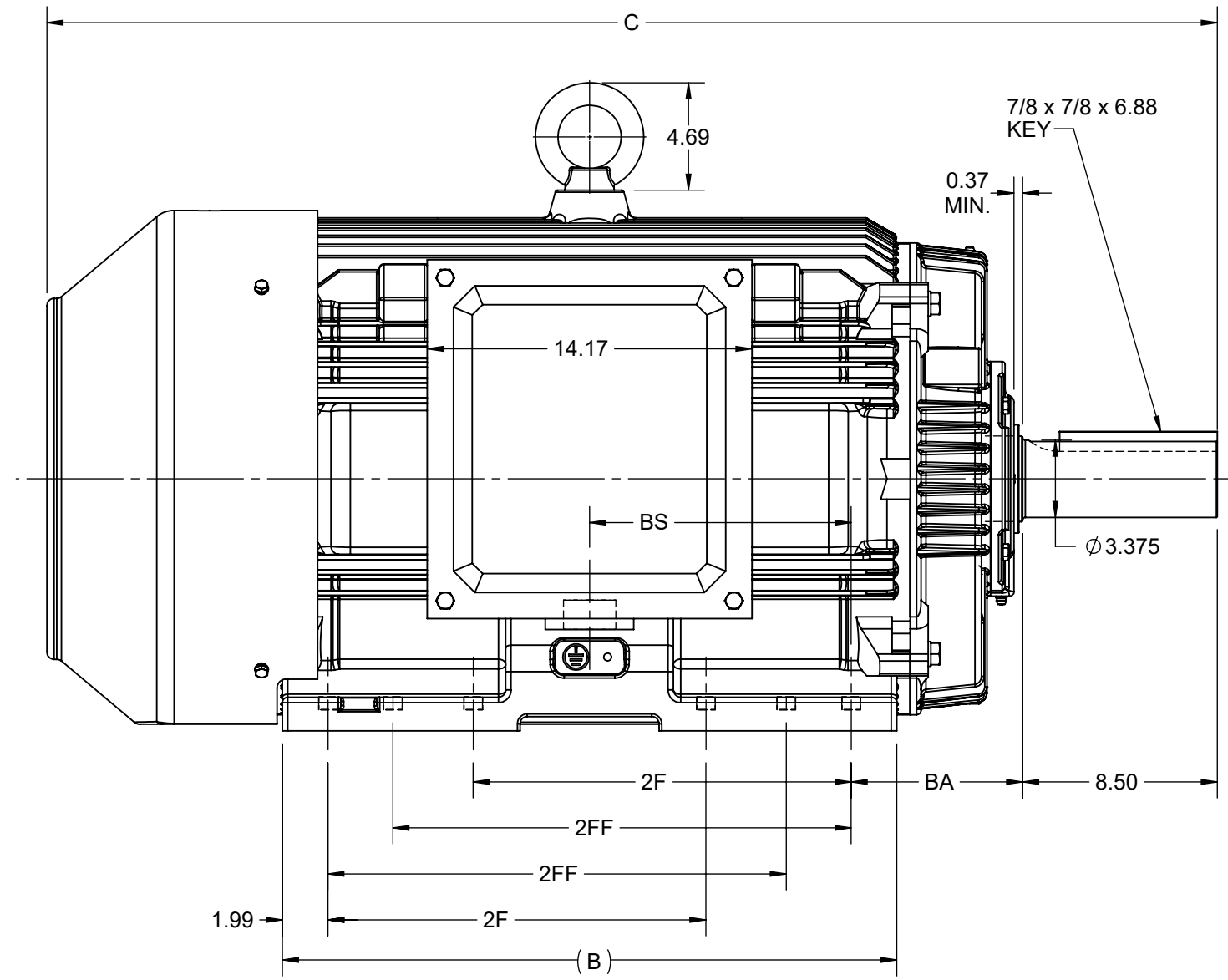
Phase	3	Output HP	150 & 125 Hp
Output KW	112.0 & 93.0 kW	Voltage	460 & 380 V
Speed	1190 & 990 rpm	Service Factor	1.15 & 1.15
Frame	445T	Enclosure	Totally Enclosed Fan Cooled
Thermal Protection	No Protection	Efficiency	95.8 & 95.4 %
Ambient Temperature	40 °C	Frequency	60 & 50 Hz
Current	171 & 173 A	Power Factor	86
Duty	Continuous	Insulation Class	F
Design Code	B	KVA Code	G
Drive End Bearing Size	NU319	Opp Drive End Bearing Size	6317
UL	Listed	CSA	Y
CE	Y	IP Code	55
Number of Speeds	1	Hazardous Location	DIVISION 2 T2B

Technical Specifications

Electrical Type	Squirrel Cage Inverter Rated	Starting Method	Part Wdg Start Or Inverter
Poles	6	Rotation	Reversible
Resistance Main	.0223 Ohms	Mounting	Rigid Base
Motor Orientation	Horizontal	Drive End Bearing	Roller
Opp Drive End Bearing	Ball	Frame Material	Cast Iron
Shaft Type	T	Shaft Diameter	3.375 in
Assembly/Box Mounting	F1/F2 CAPABLE	Inverter Load	CONSTANT 2:1/VARIABLE 10:1
Connection Drawing	EE7341A	Outline Drawing	SS621198

This is an uncontrolled document once printed or downloaded and is subject to change without notice. Date Created:06/23/2023

4		3					2		1
B	C	E	2E	2F	2FF	BA	BS	MOUNTING	
26.81	51.08	9.00	18.00	16.50	20.00	7.50	11.42	F1 OR F2	



DRAWING REVISION B	REVISION BY VS	REV DATE/© DATE 22-07-2021
ECO CR-0003684	APPROVED BY GNK	DATE 22-07-2021
ECO DESCRIPTION VIEWS UPDATED		
<small>COPYRIGHT (PER REVISION DATE) REGAL BELOIT AMERICA, INC. ALL RIGHTS RESERVED. PROPRIETARY AND CONFIDENTIAL INFORMATION - THIS DOCUMENT IS THE PROPERTY OF REGAL BELOIT AMERICA, INC. ("OWNER") AND CONTAINS OWNER'S PROPRIETARY INFORMATION. ANY PERSON, CORPORATION OR OTHER FIRM RECEIVING IT IS DEEMED, BY RECEIVING IT, TO AGREE THAT IT, AND/OR ANY PART OF IT, SHALL NOT BE DISCLOSED TO ANY PERSON, CORPORATION OR OTHER ENTITY, DUPLICATED, AND/OR USED, EXCEPT AS EXPRESSLY APPROVED IN WRITING IN ADVANCE BY OWNER. THIS DOCUMENT SHALL BE RETURNED TO OWNER UPON REQUEST. IT MAY BE SUBJECT TO CERTAIN RESTRICTIONS UNDER APPLICABLE EXPORT CONTROL LAWS AND REGULATIONS.</small>		

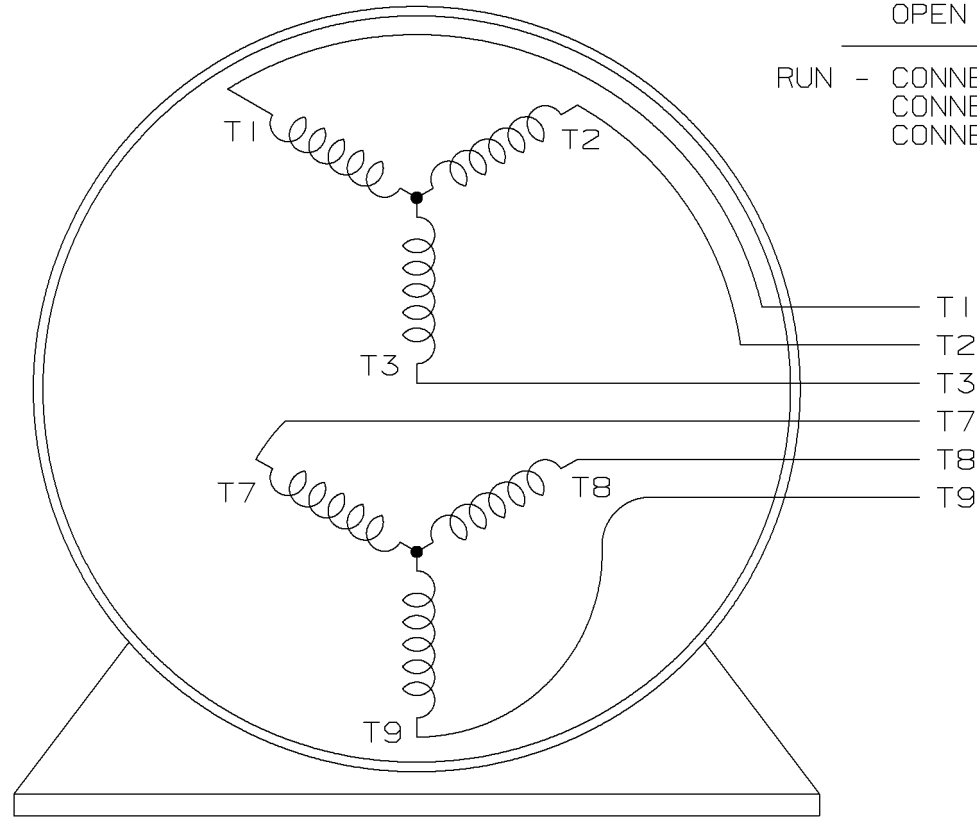
PRIMARY DIMENSIONS ARE INCH
mm DIMENSIONS IN [BRACKETS]
ARE FOR REFERENCE ONLY

DRAWN BY VS	REGAL ® Regal Beloit America, Inc.
DATE 21-06-2021	
APPROVED BY GNK	DESCRIPTION OUTLINE 445/447T FR NEMA TEFC
DATE 21-06-2021	MATERIAL
REFERENCE	PROCESS/FINISH
THIRD ANGLE PROJECTION	SIZE B
	DRAWING NUMBER SS621198
	SHEET 1 OF 1

THREE PHASE - PART WINDING START MOTOR
 2 CKT Y - 6 LEADS - 6 POLE

START - CONNECT LINE 1 TO T1
 CONNECT LINE 2 TO T2
 CONNECT LINE 3 TO T3
 OPEN T7, T8, AND T9

RUN - CONNECT LINE 1 TO T1 & T7
 CONNECT LINE 2 TO T2 & T8
 CONNECT LINE 3 TO T3 & T9



VIEWING TERMINAL END

SEE 7341P FOR PROTECTORS
 SEE 7441S FOR SPACE HEATERS
 SEE 7344 FOR A LEAD DUAL VOLTAGE

				<input checked="" type="checkbox"/> MAX. SURFACE ROUGHNESS UNLESS NOTED OTHERWISE	UNLESS OTHERWISE SPECIFIED DIMENSIONS ARE IN INCHES TOL. ON XX± XXX±.005 XXXX±.0005 ANGLES±				
				MATL SPEC			DRAWN BY DRS	12-14-1998	
				FINISH			CHKD BY MRB	12-14-1998	
					WAUSAU, WISCONSIN 54401		APPD BY GK	12-14-1998	
3	12-14-1998	REDRAWN ON CADD	DRS	PART NAME CONNECTION DIAGRAM - 3 PHASE 2 CKT Y - 6 LEADS - PART WINDING START - 6 POLE				DRWG NO A-EE7341A	
REV	DATE	CHANGE	NAME						

SHOP BOOK

PURCHASED

DISTRIBUTION - WA - LB - WP - LM

CADD FILE NO.

EE7341A



P.O. BOX 8003
 WAUSAU, WI 54401-8003
 PH. 715-675-3311

DATA VOLTS: 460

CERTIFICATION DATA SHEET

CUSTOMER:
 ORDER #:
 CONN. DIAGRAM: EE7341A
 OUTLINE: SS621198
 WINDING: HA32806007 NONE 6
 SPEED: _____

CUSTOMER P.O. #:
 REFERENCE MODEL #: 445TTFCD6088
 CAT #: GT10135
 CUSTOMER PART #:
 MOUNTING: F1/F2 CAPABLE

TYPICAL MOTOR PERFORMANCE DATA

HP	KW	SYNC RPM	FL RPM	FRAME	ENCLOSURE	TYPE	KVA CODE	DESIGN
150	112	1200	1190	445T	TEFC	TFC	G	B

PH	HZ	VOLTS	AMPS	START TYPE	DUTY	INSL	S.F.	AMB	ELEV.
3	60/50	460#380	171&173	PWS OR INVERTER	CONT	F	1.15	40	3300

F.L. EFF	95.8	3/4 LD EFF	95.8	1/2 LD EFF	95.4	GTD EFF	ELECT. TYPE
F.L. PF	86.0	3/4 LD PF	83.8	1/2 LD PF	77.0	95.4	SQ CAGE INV RATED

F.L. TORQUE	LR AMPS @ 460 V	L.R. TORQUE	B.D. TORQUE	F.L. RISE (° C)
662 LB-FT	1,085	1,192 LB-FT	180%	1,757 LB-FT 265%

SOUND PRESSURE @ 3 FT.	SOUND	POWER	ROTOR WK ²	MAX. LOAD WK ²	SAFE STALL TIME	STARTS/HOUR	APROX.	MOTOR WGT
75 dBA	84 dBA		138 LB-FT ²	1500 LB-FT ²	25 SEC.	2	2900	LB.

***** SUPPLEMENTAL INFORMATION *****

DE BRACKET TYPE	ODE BRACKET TYPE	MOUNT TYPE	MOTOR ORIENTATION	SEVERE DUTY	HAZARDOUS LOCATION	DRIP COVER	SCREENS	PAINT
STANDARD	STANDARD	RIGID	HORIZONTAL	NO	DIVISION 2 T2B	YES	NONE	BLUE (ENAMEL)

DE	ODE	GREASE	SHAFT TYPE	SPECIAL DE	SPECIAL ODE	SHAFT MATERIAL	FRAME MATERIAL
ROLLER	BALL	POLYREX EM	T	NONE	NONE	1045 HOT ROLLED (C-204)	CAST IRON
NU319	6317						

THERMOSTATS	PROTECTORS	WDG RTD's	BRG RTD's	THERMISTORS	CONTROL	SPACE HEATERS
NONE	NOT	NONE	NONE	NONE	FALSE	NA

R1 (ohms/ph)	R2 (ohms/ph)	X1 (ohms/ph)	X2 (ohms/ph)	Xm (ohms/ph)	VIBRATION (in/sec)	FLOAT
0.014	0.013	0.137	0.227	4.952	0.150	NONE

NOTES	INVERTER TORQUE: CONSTANT 2:1/VARIABLE 10:1					
	INV. HP SPEED RANGE: NONE					
	ENCODER: NONE					
	NONE PPR					

PREPARED BY: CHANDANA DESU	BRAKE: NONE
DATE: 6/15/2022	NONE NONE
	FT-LB: NA
	VOLTAGE: NONE
FORM: 3531 REV. 4 2/27/06	UL: NO LETTER - ME, WUXI TEFC BLUEWHALE CLASS 1 DIV. 2 UL LISTED

Data Sheet

Date: 6/15/2022
 Customer: _____
 Attention: _____
 Submitted by: CHANDANA DESU



445TTFCD6088

Submittal

Data @ 460 V

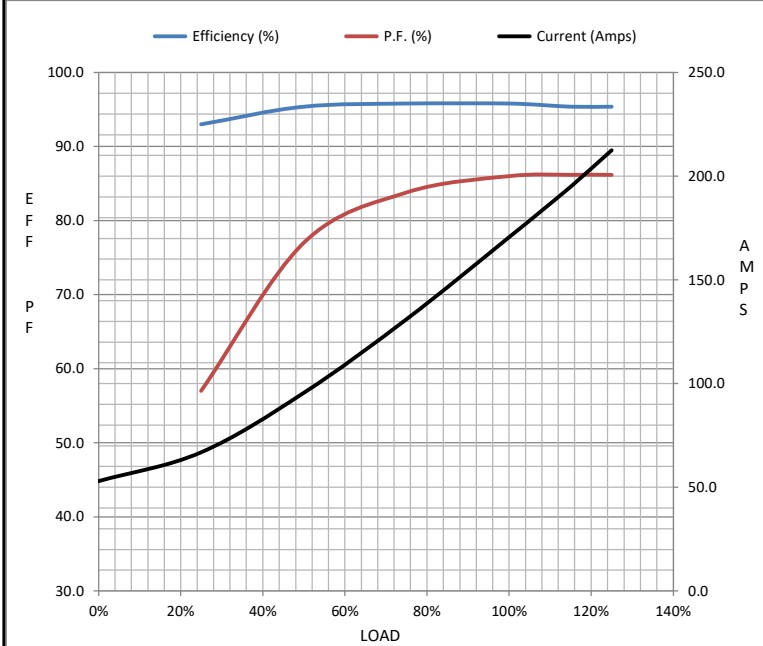
Motor Load Data

Load	0%	25%	50%	75%	100%	115%	125%	LR
Current (Amps)	53.0	66.8	95.5	131	171	195	213	1,085
Torque (ft-lb)	0.00	165	330	495	662	760	830	1,192
RPM	1200	1198	1195	1192	1190	1,188	1188	0
Efficiency (%)		93.0	95.4	95.8	95.8	95.4	95.4	
P.F. (%)	5.0	57.0	77.0	83.8	86.0	86.2	86.2	30.0

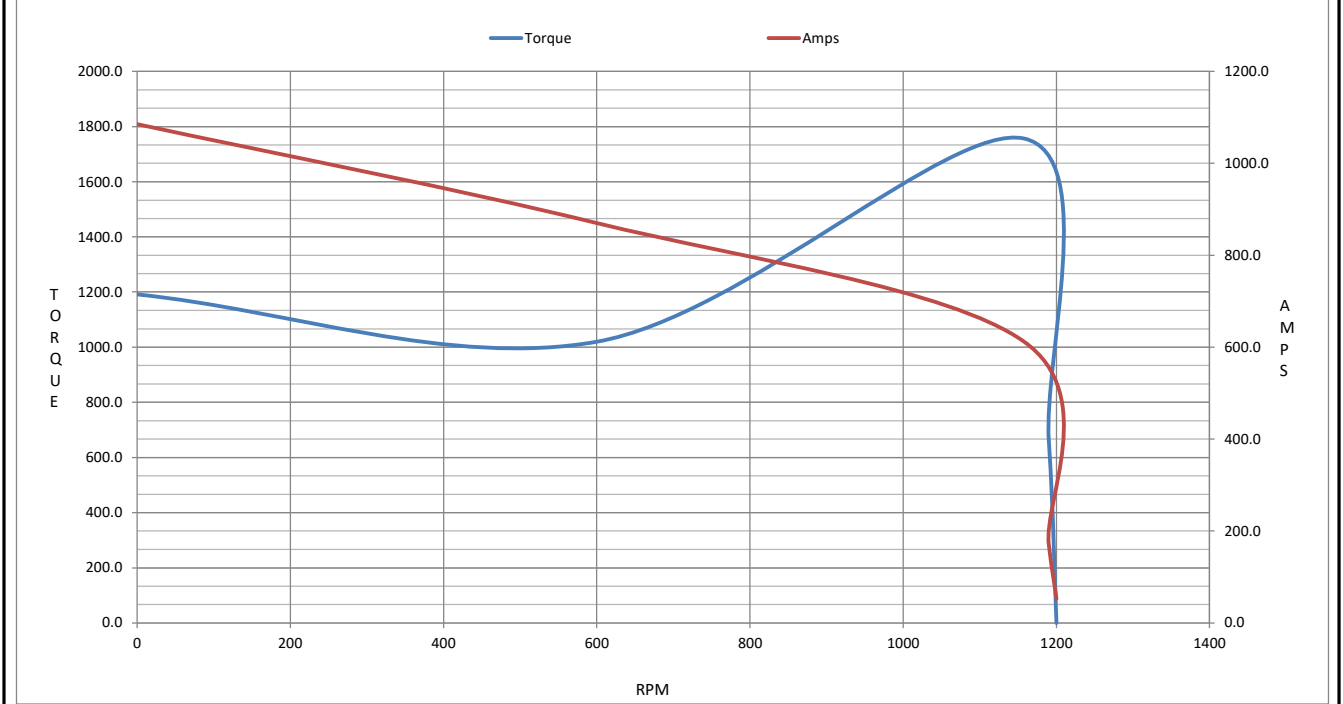
Motor Speed Data

	LR	Pull-Up	BD	Rated	Idle
Speed (RPM)	0	600	1158	1190	1200
Current (Amps)	1,085	870	612	171	53.0
Torque (ft-lb)	1,192	1,020	1,757	662	0.00

Information Block				
HP	150.0			
Sync. RPM	1200			
Frame	445			
Enclosure	TEFC			
Construction	TFC			
Voltage	460#380 V			
Frequency	60 Hz			
Design	B			
LR Code letter	G			
Service Factor	1.15			
Temp Rise @ FL	65 ° C			
Duty	CONT			
Ambient	40 ° C			
Elevation	3,300 feet			
Rotor/Shaft wk ²	138 Lb-F ²			
Ref Wdg	HA32806007 NONE			
Sound Pressure @ 1M	75 dBA			
VFD Rating	CONSTANT 2:1/VARIABLE 10:1			
Outline Dwg	SS621198			
Conn. Diag	EE7341A			
Additional Specifications:				
0				
0				
EQUIV CKT (OHMS / PHASE)				
R1	R2	X1	X2	Xm
0.0140	0.0130	0.1370	0.2270	4.9520



Speed - Torque Curve



EC Declaration of Conformity

The undersigned representing
the manufacturer:

Regal Beloit America
100 East Randolph St.
Wausau, WI 54401

and the authorized representative
established within the Community:

Marathon Electric UK
6F Thistleton Road Ind. Estate
Market Overton
Oakham, Rutland LE15 7PP UK

are committed to providing customers with products that comply with applicable regulations and international protocols to which they are subject, including the requirements of the European Parliament Directive on the Harmonization of the laws relating to electrical equipment designed for use within certain voltage limits (2014/35/EU).

Regal Beloit America declares that the following product(s), to which this declaration relates, are in conformity with the relevant sections of the EC standards listed below.

This statement supersedes any statements previously issued pertaining to the product(s) listed below and is subject to change without notice.

Model No : 445TTFC6088

(Model No. may contain prefix and/or suffix characters)

Catalog No : GT10135

Rework No : N/A

Directives :

Low Voltage Directive 2014/35/EU

Harmonized Standards Used :

EN 60034-1: 2010 (IEC 60034-1: 2010)

EN 60034-5: 2001/A1:2007 (IEC 60034-5: 2000/A1:2006)

Authorized Representative:



Michael A. Logsdon
Vice President, Technology

Authorized Representative in the Community:



Julian Clark
Marketing Engineer

Created on 09/02/2022

CE 22