

PRODUCT INFORMATION PACKET

marathon[®]
Motors

Model No: 445TTDS14063

Catalog No: M858A

200 HP Vertical Solid Shaft P-Base Motor, 3 phase, 1800 RPM, 460 V, 445HPV Frame, ODP
Vertical Pump Motors

Regal and Marathon are trademarks of Regal Rexnord Corporation or one of its affiliated companies.
©2021 Regal Rexnord Corporation, All Rights Reserved. MC017097E

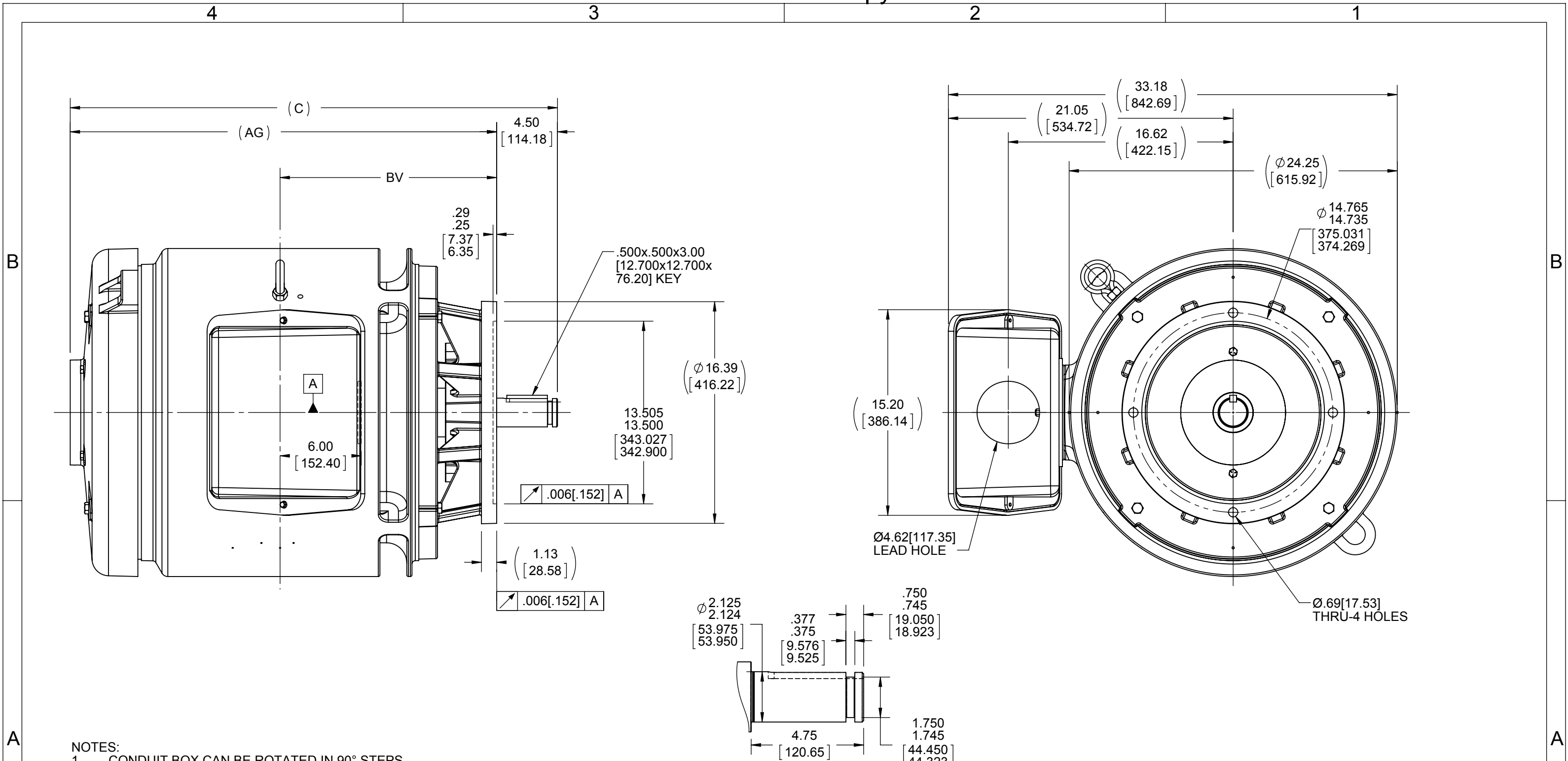
The Regal Rexnord logo features a stylized 'R' icon composed of three vertical bars of increasing height, followed by the text 'RegalRexnord' in a blue sans-serif font.

Nameplate Specifications

| | | | |
|------------------------|-------------------|----------------------------|-------------------|
| Output HP | 200 Hp | Output KW | 149.0 kW |
| Frequency | 60 Hz | Voltage | 460 V |
| Current | 233.0 A | Speed | 1780 rpm |
| Service Factor | 1.15 | Phase | 3 |
| Efficiency | 95 % | Power Factor | 84.5 |
| Duty | Continuous | Insulation Class | B |
| Design Code | B | KVA Code | F |
| Frame | 445HPV | Enclosure | Drip Proof |
| Thermal Protection | No | Ambient Temperature | 40 °C |
| Drive End Bearing Size | 6316 | Opp Drive End Bearing Size | 6316 |
| UL | Recognized | CSA | Y |
| CE | Y | IP Code | 12 |
| Number of Speeds | 1 | | |

Technical Specifications

| | | | |
|-----------------------|------------------------------------|-----------------------|------------------------|
| Electrical Type | Squirrel Cage Induction Run | Starting Method | Across The Line |
| Poles | 4 | Rotation | Reversible |
| Resistance Main | .02 Ohms | Mounting | Round |
| Motor Orientation | Shaft Down | Drive End Bearing | Ball |
| Opp Drive End Bearing | Ball | Frame Material | Cast Iron |
| Shaft Type | HP | Overall Length | 36.26 in |
| Frame Length | 20.50 in | Shaft Diameter | 2.125 in |
| Shaft Extension | 4.5 in | Assembly/Box Mounting | F1/F2 CAPABLE |
| Outline Drawing | B-SS504363-2050 | Connection Drawing | A-EE7300U |



- NOTES:
 1. CONDUIT BOX CAN BE ROTATED IN 90° STEPS
 2. NAMEPLATES TO BE READ FROM SHAFT EXT. END OF MOTOR

DETAIL OF SHAFT EXTENSION

| DASH | FRAME | C | AG | BV |
|------|-------|-------------------|-------------------|-------------------|
| 2050 | 440HP | 36.26 [921.00] | 31.52 [800.61] | 16.02 [406.91] |

| | | | | | |
|---|--------------------|--------------------|---|------------------------|--|
| DRAWING REVISION P | REVISION BY AJW | DATE 09-05-2014 | TOLERANCES UNLESS OTHERWISE SPECIFIED: DEC. INCH mm ANGLE .X ±0.1 [±2.5] ±0.5° .XX ±0.01 [±0.25] .XXX ±0.005 [±0.127] .XXXX ±0.0005 [±0.0127] REMOVE BURRS & BREAK SHARP EDGES: .003/.015 [0.076/.381] CORNER FILLETS: .02 [0.51] MACHINED SURFACES: 125 INCH 3.2 mm mm SHOWN IN [BRACKETS] | DRAWN BY DJK | REGAL ™ Regal Beloit America, Inc. |
| ECO ECO-0059513 | APPROVED BY DJK | DATE 09-08-2014 | | DATE 11-13-1992 | |
| ECO DESCRIPTION UPDATED TO CURRENT STANDARDS COPYRIGHT REGAL BELOIT AMERICA, INC. ALL RIGHTS RESERVED PROPRIETARY AND CONFIDENTIAL INFORMATION - THIS DOCUMENT IS THE PROPERTY OF REGAL BELOIT AMERICA, INC. ("OWNER") AND CONTAINS OWNER'S PROPRIETARY INFORMATION. ANY PERSON, CORPORATION OR OTHER FIRM RECEIVING IT IS DEEMED, BY RECEIVING IT, TO AGREE THAT IT, AND/OR ANY PART OF IT, SHALL NOT BE DISCLOSED TO ANY PERSON, CORPORATION OR OTHER ENTITY, DUPLICATED, AND/OR USED, EXCEPT AS EXPRESSLY APPROVED IN WRITING IN ADVANCE BY OWNER. THIS DOCUMENT SHALL BE RETURNED TO OWNER UPON REQUEST. IT MAY BE SUBJECT TO CERTAIN RESTRICTIONS UNDER APPLICABLE EXPORT CONTROL LAWS AND REGULATIONS. | | | | APPROVED BY GK | DESCRIPTION OUTLINE 440HP FR.-DR.PR.-VERT. P'BASE |
| | | | | DATE 11-18-1992 | MATERIAL |
| | | | | REFERENCE | PROCESS/FINISH |
| | | | | THIRD ANGLE PROJECTION | SIZE B |
| | | | | | DRAWING NUMBER SS504363 |
| | | | | | SHEET 1 OF 1 |

IF MOTOR HAS 9 LEADS



IF MOTOR HAS 6 LEADS



A-9806 DECAL IF CALLED FOR

IF MOTOR HAS 12 LEADS



VIEW OF TERMINAL END

| | | | | | | | | | | | | | | | | | | | | | | | | | | |
|--|---------------------------|---------------------------|--|---------------------------|-----------------------------------|----------------------------------|------------------------|-----------|--------------|----|------|--------|---------|-----|-------|---------|--|------|--------|----------|--|-------|---------|-----------|--|---------------------------|
| DRAWING REVISION L | REVISION BY AJW | DATE 05-04-2015 | TOLERANCES UNLESS OTHERWISE SPECIFIED: | DRAWN BY DRS | Regal Beloit America, Inc. | | | | | | | | | | | | | | | | | | | | | |
| ECO ECO-0077067 | APPROVED BY EWH | DATE 05-05-2015 | <table style="font-size: small; border-collapse: collapse;"> <tr> <td><u>DEC.</u></td> <td><u>INCH</u></td> <td><u>mm</u></td> <td><u>ANGLE</u></td> </tr> <tr> <td>.X</td> <td>±0.1</td> <td>[±2.5]</td> <td>±7' 30"</td> </tr> <tr> <td>.XX</td> <td>±0.02</td> <td>[±0.51]</td> <td></td> </tr> <tr> <td>.XXX</td> <td>±0.005</td> <td>[±0.127]</td> <td></td> </tr> <tr> <td>.XXXX</td> <td>±0.0005</td> <td>[±0.0127]</td> <td></td> </tr> </table> | <u>DEC.</u> | | | <u>INCH</u> | <u>mm</u> | <u>ANGLE</u> | .X | ±0.1 | [±2.5] | ±7' 30" | .XX | ±0.02 | [±0.51] | | .XXX | ±0.005 | [±0.127] | | .XXXX | ±0.0005 | [±0.0127] | | DATE 09-27-1996 |
| <u>DEC.</u> | <u>INCH</u> | <u>mm</u> | <u>ANGLE</u> | | | | | | | | | | | | | | | | | | | | | | | |
| .X | ±0.1 | [±2.5] | ±7' 30" | | | | | | | | | | | | | | | | | | | | | | | |
| .XX | ±0.02 | [±0.51] | | | | | | | | | | | | | | | | | | | | | | | | |
| .XXX | ±0.005 | [±0.127] | | | | | | | | | | | | | | | | | | | | | | | | |
| .XXXX | ±0.0005 | [±0.0127] | | | | | | | | | | | | | | | | | | | | | | | | |
| ECO DESCRIPTION UPDATED TO SOLIDWORKS | | | APPROVED BY GK | DATE 09-30-1996 | MATERIAL | PROCESS/FINISH | | | | | | | | | | | | | | | | | | | | |
| COPYRIGHT REGAL BELOIT AMERICA, INC. ALL RIGHTS RESERVED. PROPRIETARY AND CONFIDENTIAL INFORMATION - THIS DOCUMENT IS THE PROPERTY OF REGAL BELOIT AMERICA, INC. ("OWNER") AND CONTAINS OWNER'S PROPRIETARY INFORMATION. ANY PERSON, CORPORATION OR OTHER FIRM RECEIVING IT IS DEEMED, BY RECEIVING IT, TO AGREE THAT IT, AND/OR ANY PART OF IT, SHALL NOT BE DISCLOSED TO ANY PERSON, CORPORATION OR OTHER ENTITY, DUPLICATED, AND/OR USED, EXCEPT AS EXPRESSLY APPROVED IN WRITING IN ADVANCE BY OWNER. THIS DOCUMENT SHALL BE RETURNED TO OWNER UPON REQUEST. IT MAY BE SUBJECT TO CERTAIN RESTRICTIONS UNDER APPLICABLE EXPORT CONTROL LAWS AND REGULATIONS. | | | REMOVE BURRS & BREAK SHARP EDGES: .003/.015 [.076/.381] X 45° CORNER FILLETS: R.02 [.51] MACHINED SURFACES: 200 $\sqrt{\text{INCH}}$ 5.1 $\sqrt{\text{mm}}$ | REFERENCE | SIZE A | DRAWING NUMBER EE7300U | SHEET 1 OF 1 | | | | | | | | | | | | | | | | | | | |
| | | | mm SHOWN IN [BRACKETS] | THIRD ANGLE PROJECTION | | | | | | | | | | | | | | | | | | | | | | |