

PRODUCT INFORMATION PACKET

Model No: 445TTDN16032

Catalog No: M762

250 HP Vertical Solid Shaft P-Base Motor, 3 phase, 1800 RPM, 460 V, 445HPV Frame, ODP
Vertical Pump Motors



Regal and Marathon are trademarks of Regal Rexnord Corporation or one of its affiliated companies.

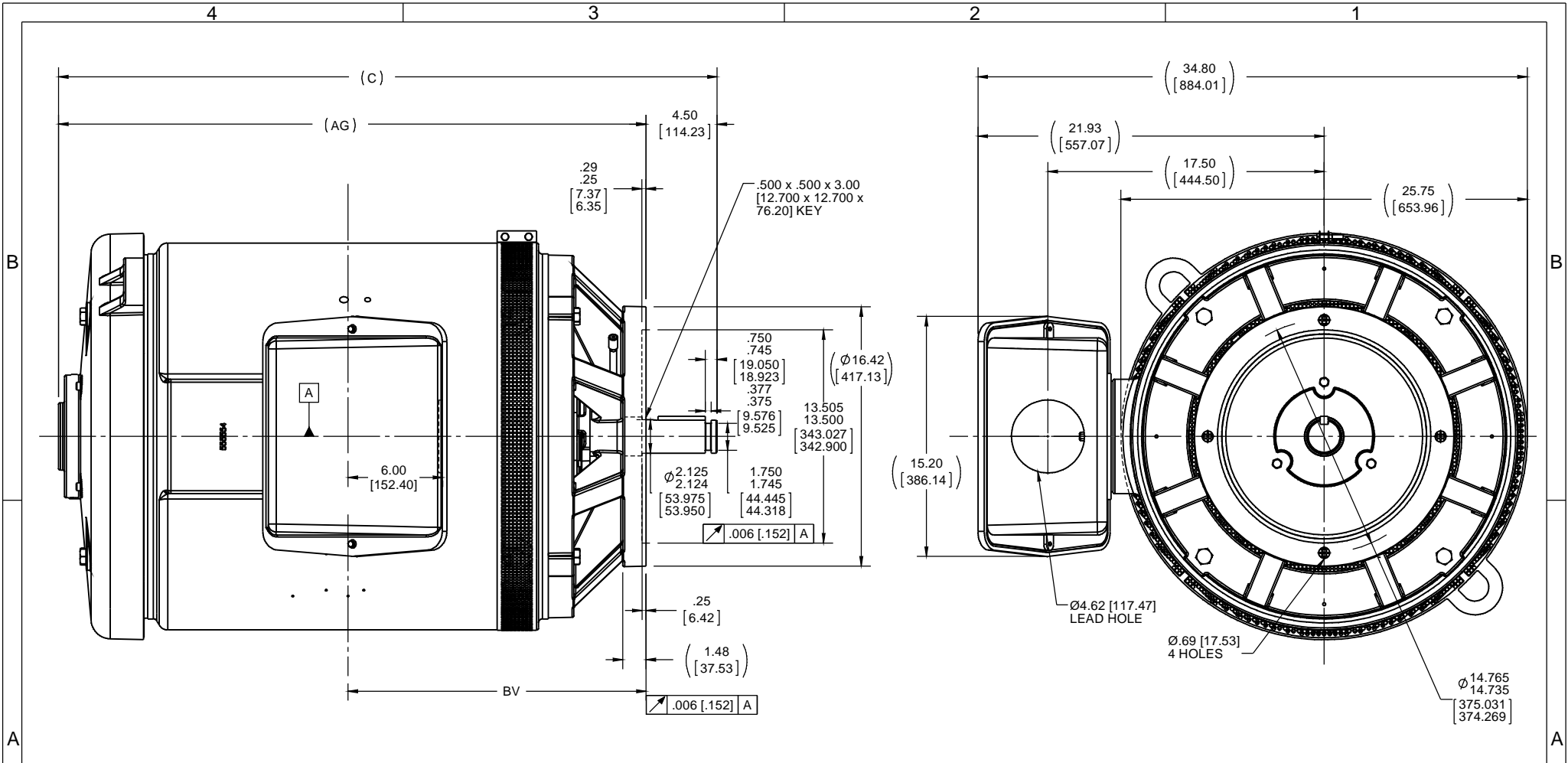
©2021 Regal Rexnord Corporation, All Rights Reserved. MC017097E

Nameplate Specifications

Output HP	250 Hp	Output KW	187.0 kW
Frequency	60 Hz	Voltage	460 V
Current	282.0 A	Speed	1784 rpm
Service Factor	1.15	Phase	3
Efficiency	95.8 %	Power Factor	86
Duty	Continuous	Insulation Class	F
Design Code	B	KVA Code	F
Frame	445HPV	Enclosure	Drip Proof
Thermal Protection	No	Ambient Temperature	40 °C
Drive End Bearing Size	6318	Opp Drive End Bearing Size	7316 2
UL	Recognized	CSA	Y
CE	Y	IP Code	22
Number of Speeds	1		

Technical Specifications

Electrical Type	Squirrel Cage Induction Run	Starting Method	Across The Line
Poles	4	Rotation	Reversible
Resistance Main	.019 Ohms	Mounting	Round
Motor Orientation	Shaft Down	Drive End Bearing	Ball
Opp Drive End Bearing	Duplex Tandem Angular Contact	Frame Material	Cast Iron
Shaft Type	HP	Overall Length	41.72 in
Frame Length	25.38 in	Shaft Diameter	2.125 in
Shaft Extension	4.5 in	Assembly/Box Mounting	F1/F2 Capable
Connection Drawing	A-EE7300U	Outline Drawing	B-SS555833-2538

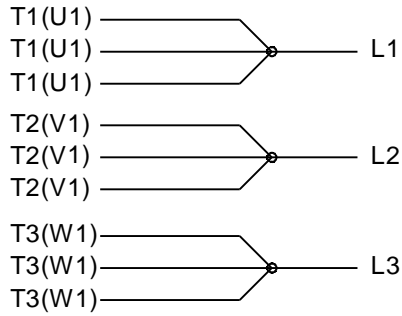


- NOTES:
 1. CONDUIT BOX CAN BE ROTATED IN 90° STEPS
 2. NAMEPLATES TO BE READ FROM SHAFT EXTENSION END OF MOTOR

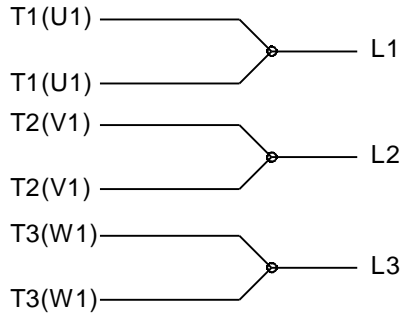
DASH	FRAME	C	AG	BV
2538	444/5PV	41.72 [1059.62]	37.22 [945.39]	18.88 [479.55]

DRAWING REVISION C	REVISION BY AJW	DATE 07-01-2014	TOLERANCES UNLESS OTHERWISE SPECIFIED: DEC. INCH mm ANGLE .X ±0.1 [±2.5] ±0.5° .XX ±0.01 [±0.25] .XXX ±0.005 [±0.127] .XXXX ±0.0005 [±0.0127] REMOVE BURRS & BREAK SHARP EDGES: .003/.015 [076/381] CORNER FILLETS: .02 [51] MACHINED SURFACES: 125/3.2 INCH 3.2/ mm SHOWN IN [BRACKETS]	DRAWN BY TJW	Regal Beloit America, Inc.		
ECO ECO-0054258	APPROVED BY DJK	DATE 07-01-2014		DATE 07-16-2013		DESCRIPTION OUTLINE 444/5PV FR. -DR.PR. -PBASE	
ECO DESCRIPTION UPDATED TO CURRENT STANDARDS <small>COPYRIGHT REGAL BELOIT AMERICA, INC. ALL RIGHTS RESERVED. PROPRIETARY AND CONFIDENTIAL INFORMATION - THIS DOCUMENT IS THE PROPERTY OF REGAL BELOIT AMERICA, INC. ('OWNER') AND CONTAINS OWNER'S PROPRIETARY INFORMATION. ANY PERSON, CORPORATION OR OTHER FIRM RECEIVING IT IS DEEMED, BY RECEIVING IT, TO AGREE THAT IT, AND/OR ANY PART OF IT, SHALL NOT BE DISCLOSED TO ANY PERSON, CORPORATION OR OTHER ENTITY, DUPLICATED, AND/OR USED, EXCEPT AS EXPRESSLY APPROVED IN WRITING IN ADVANCE BY OWNER. THIS DOCUMENT SHALL BE RETURNED TO OWNER UPON REQUEST. IT MAY BE SUBJECT TO CERTAIN RESTRICTIONS UNDER APPLICABLE EXPORT CONTROL LAWS AND REGULATIONS.</small>				APPROVED BY DJK	DATE 07-19-2013		
				REFERENCE	MATERIAL	PROCESS/FINISH	
				THIRD ANGLE PROJECTION	SIZE B	DRAWING NUMBER SS555833	SHEET 1 OF 1

IF MOTOR HAS 9 LEADS

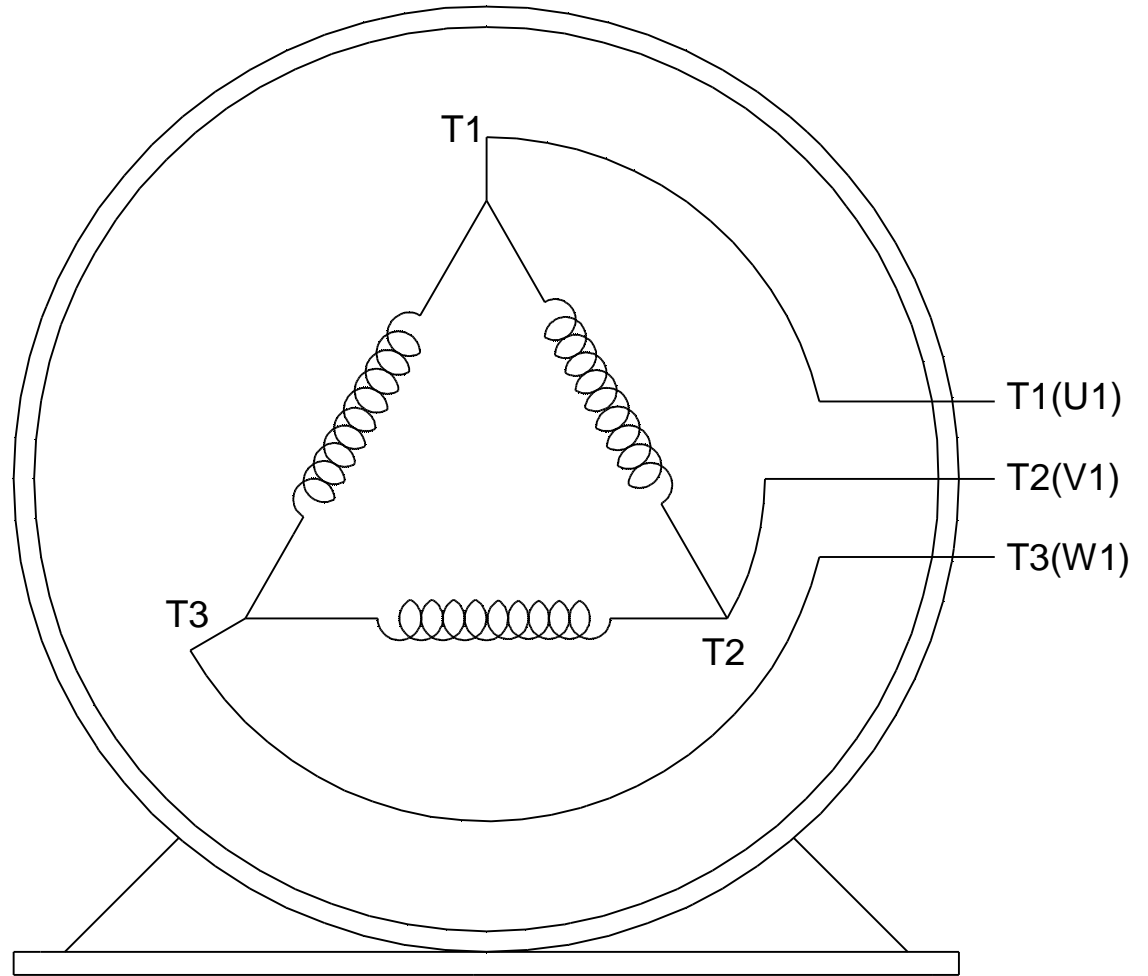
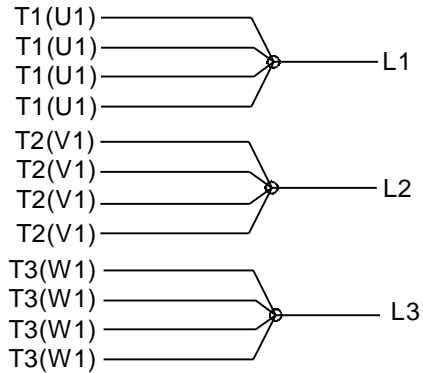


IF MOTOR HAS 6 LEADS



A-9806 DECAL IF CALLED FOR

IF MOTOR HAS 12 LEADS



VIEW OF TERMINAL END

DRAWING REVISION L	REVISION BY AJW	DATE 05-04-2015	TOLERANCES UNLESS OTHERWISE SPECIFIED:	DRAWN BY DRS	Regal Beloit America, Inc.																					
ECO ECO-0077067	APPROVED BY EWH	DATE 05-05-2015	<table style="font-size: small; border-collapse: collapse;"> <tr> <td><u>DEC.</u></td> <td><u>INCH</u></td> <td><u>mm</u></td> <td><u>ANGLE</u></td> </tr> <tr> <td>.X</td> <td>±0.1</td> <td>[±2.5]</td> <td>±7' 30"</td> </tr> <tr> <td>.XX</td> <td>±0.02</td> <td>[±0.51]</td> <td></td> </tr> <tr> <td>.XXX</td> <td>±0.005</td> <td>[±0.127]</td> <td></td> </tr> <tr> <td>.XXXX</td> <td>±0.0005</td> <td>[±0.0127]</td> <td></td> </tr> </table>	<u>DEC.</u>			<u>INCH</u>	<u>mm</u>	<u>ANGLE</u>	.X	±0.1	[±2.5]	±7' 30"	.XX	±0.02	[±0.51]		.XXX	±0.005	[±0.127]		.XXXX	±0.0005	[±0.0127]		DATE 09-27-1996
<u>DEC.</u>	<u>INCH</u>	<u>mm</u>	<u>ANGLE</u>																							
.X	±0.1	[±2.5]	±7' 30"																							
.XX	±0.02	[±0.51]																								
.XXX	±0.005	[±0.127]																								
.XXXX	±0.0005	[±0.0127]																								
ECO DESCRIPTION UPDATED TO SOLIDWORKS			APPROVED BY GK	DATE 09-30-1996	MATERIAL	PROCESS/FINISH																				
COPYRIGHT REGAL BELOIT AMERICA, INC. ALL RIGHTS RESERVED. PROPRIETARY AND CONFIDENTIAL INFORMATION - THIS DOCUMENT IS THE PROPERTY OF REGAL BELOIT AMERICA, INC. ("OWNER") AND CONTAINS OWNER'S PROPRIETARY INFORMATION. ANY PERSON, CORPORATION OR OTHER FIRM RECEIVING IT IS DEEMED, BY RECEIVING IT, TO AGREE THAT IT, AND/OR ANY PART OF IT, SHALL NOT BE DISCLOSED TO ANY PERSON, CORPORATION OR OTHER ENTITY, DUPLICATED, AND/OR USED, EXCEPT AS EXPRESSLY APPROVED IN WRITING IN ADVANCE BY OWNER. THIS DOCUMENT SHALL BE RETURNED TO OWNER UPON REQUEST. IT MAY BE SUBJECT TO CERTAIN RESTRICTIONS UNDER APPLICABLE EXPORT CONTROL LAWS AND REGULATIONS.			REMOVE BURRS & BREAK SHARP EDGES: .003/.015 [.076/.381] X 45° CORNER FILLETS: R.02 [.51] MACHINED SURFACES: 200 $\sqrt{\text{INCH}}$ 5.1 $\sqrt{\text{mm}}$ mm SHOWN IN [BRACKETS]	REFERENCE	SIZE A	DRAWING NUMBER EE7300U	SHEET 1 OF 1																			
				THIRD ANGLE PROJECTION																						

** Subject to change without notice.

Data Sheet

Date: 6/29/2017

445TTDN16032

Customer: _____



Attention: _____

Submittal

Submitted by: FAREEDA DUDEKULA

Data @ 460 V

Motor Load Data

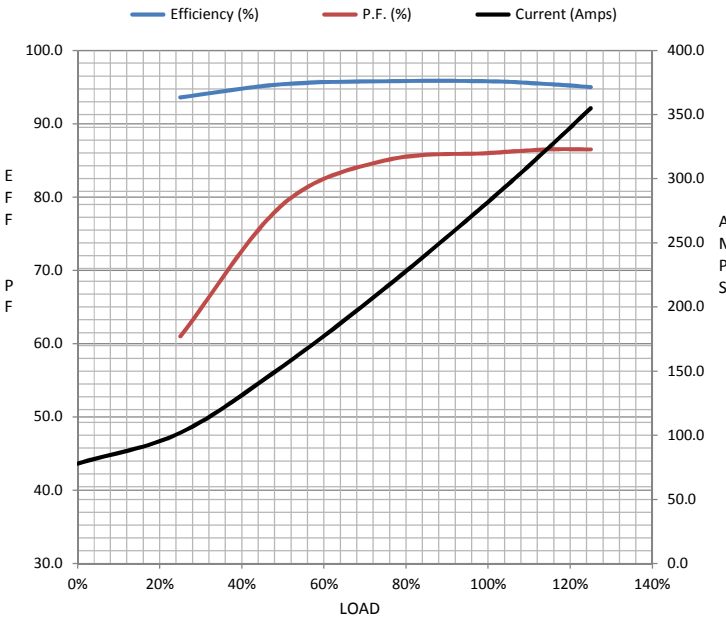
Load	0%	25%	50%	75%	100%	115%	125%	LR
Current (Amps)	78.0	102	154	215	282	325	355	1,575
Torque (ft-lb)	0.00	183	366	551	736	848	923	1,050
RPM	1800	1796	1792	1788	1784	1,780	1778	0
Efficiency (%)		93.6	95.4	95.8	95.8	95.4	95.0	
P.F. (%)	4.0	61.0	79.0	85.0	86.0	86.5	86.5	27.0

Motor Speed Data

	LR	Pull-Up	BD	Rated	Idle
Speed (RPM)	0	900	1725	1784	1800
Current (Amps)	1,575	1,400	890	282	78.0
Torque (ft-lb)	1,050	850	1,550	736	0.00

Information Block

HP	250.0			
Sync. RPM	1800			
Frame	445			
Enclosure	DP			
Construction	TDN			
Voltage	460 V			
Frequency	60 Hz			
Design	B			
LR Code letter	F			
Service Factor	1.15			
Temp Rise @ FL	65 °C			
Duty	CONT			
Ambient	40 °C			
Elevation	1,000 feet			
Rotor/Shaft wk ²	53.0 Lb-Ft ²			
Ref Wdg	T4454242 NONE			
Sound Pressure @ 1M	82 dBA			
VFD Rating	NONE			
Outline Dwg	B-SS555833-2538			
Conn. Diag	A-EE7300U			
Additional Specifications:				
0				
0				
EQUIV CKT (OHMS / PHASE)				
R1	R2	X1	X2	Xm
0.0150	0.0090	0.1200	0.1190	3.3660



Speed -Torque Curve

