

# PRODUCT INFORMATION PACKET

Model No: 445TTDN16002

Catalog No: M761

250 HP Vertical Solid Shaft P-Base Motor, 3 phase, 3600 RPM, 460 V, 445HPV Frame, ODP  
Vertical Pump Motors



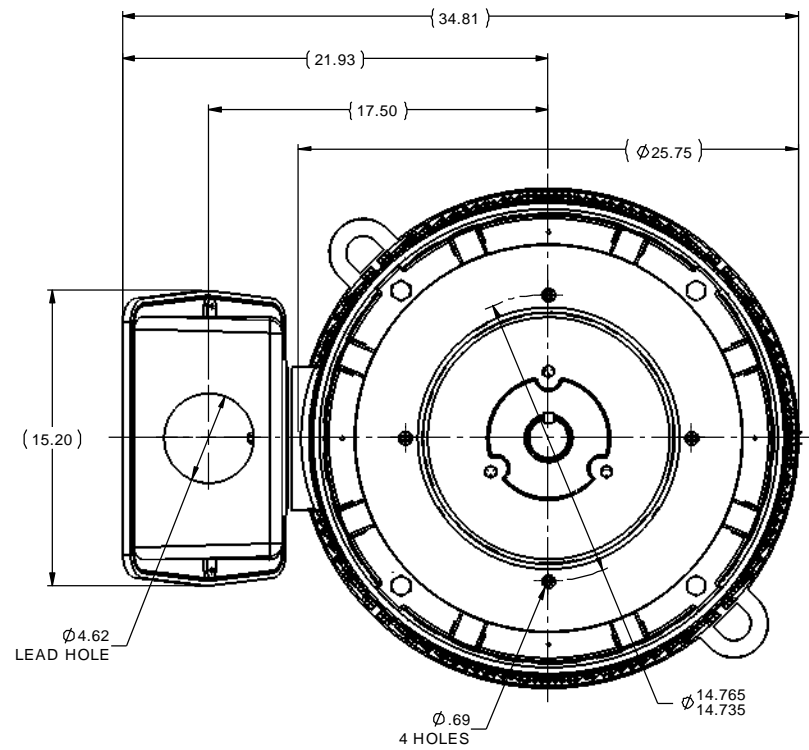
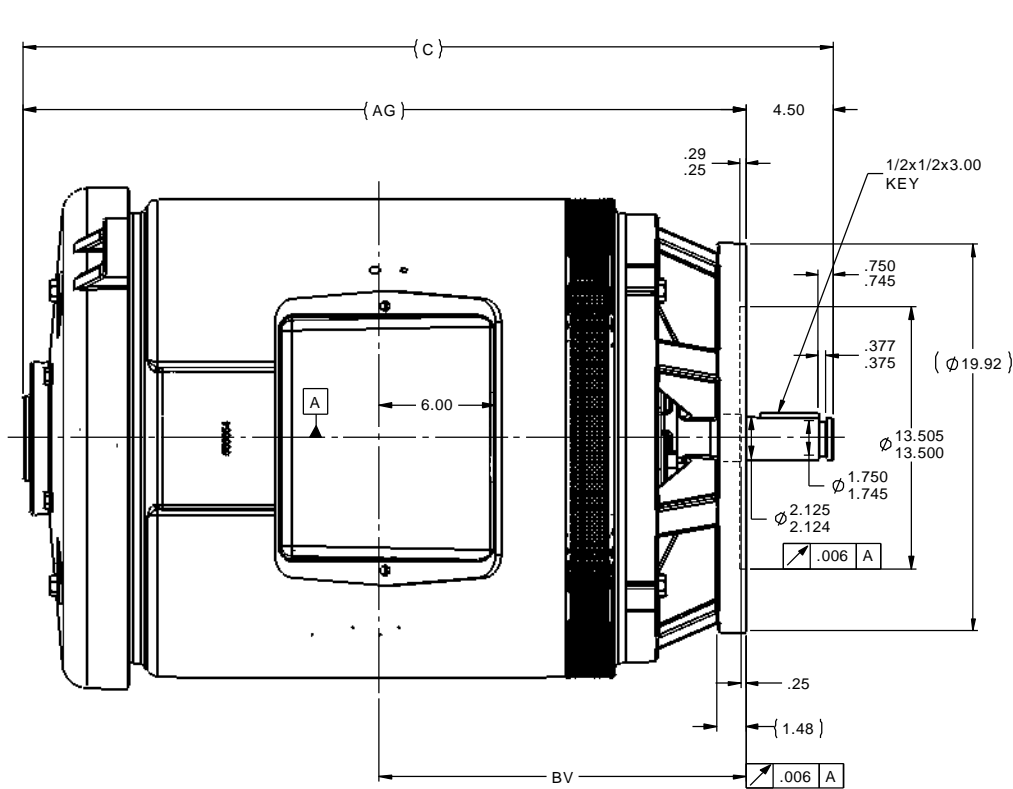
Regal and Marathon are trademarks of Regal Rexnord Corporation or one of its affiliated companies.  
©2021 Regal Rexnord Corporation, All Rights Reserved. MC017097E

### Nameplate Specifications

Output HP	<b>250 Hp</b>	Output KW	<b>187.0 kW</b>
Frequency	<b>60 Hz</b>	Voltage	<b>460 V</b>
Current	<b>275.0 A</b>	Speed	<b>3570 rpm</b>
Service Factor	<b>1.15</b>	Phase	<b>3</b>
Efficiency	<b>95.4 %</b>	Power Factor	<b>89</b>
Duty	<b>Continuous</b>	Insulation Class	<b>F</b>
Design Code	<b>B</b>	KVA Code	<b>G</b>
Frame	<b>445HPV</b>	Enclosure	<b>Drip Proof</b>
Thermal Protection	<b>No</b>	Ambient Temperature	<b>40 °C</b>
Drive End Bearing Size	<b>6313</b>	Opp Drive End Bearing Size	<b>7313 2</b>
UL	<b>Recognized</b>	CSA	<b>Y</b>
CE	<b>Y</b>	IP Code	<b>22</b>
Number of Speeds	<b>1</b>		

### Technical Specifications

Electrical Type	<b>Squirrel Cage Induction Run</b>	Starting Method	<b>Across The Line</b>
Poles	<b>2</b>	Rotation	<b>Reversible</b>
Resistance Main	<b>.0215 Ohms</b>	Mounting	<b>Round</b>
Motor Orientation	<b>Shaft Down</b>	Drive End Bearing	<b>Ball</b>
Opp Drive End Bearing	<b>Duplex Tandem Angular Contact</b>	Frame Material	<b>Cast Iron</b>
Shaft Type	<b>HP</b>	Overall Length	<b>41.72 in</b>
Shaft Diameter	<b>3.375 in</b>	Shaft Extension	<b>4.5 in</b>
Assembly/Box Mounting	<b>F1/F2 Capable</b>		
Connection Drawing	<b>A-EE7300U</b>	Outline Drawing	<b>B-SS555828-2538</b>

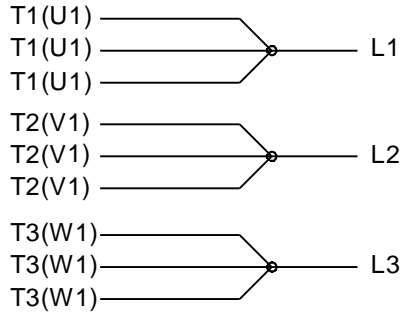


- NOTES:  
 1. CONDUIT BOX CAN BE ROTATED IN 90° STEPS.  
 2. NAMEPLATES TO BE READ FROM SHAFT EXTENSION END OF MOTOR.

DASH	FRAME	C	AG	BV
2538	444/5PV	41.72	37.22	18.88

TOLERANCES UNLESS SPECIFIED			DRAWN T JW 7/15/2013
DEC	INCHES		CHK MH 7/26/2013
X	±.1	TITLE OUTLINE - SCREENS 444/5PV FR. - DR.PR. - P'BASE	APPR DJK 7/26/2013
XX	±.03		SCALE 5:32
XXX	±.005		REF SS555756
XXXX	±.0005		FMF MU114116
CHK	ANG ±7°30'		PAGE OF
NO	REVISION	BY & DATE	FINISH
THIRD ANGLE PROJECTION		RFP 7/26/2013	PREV
		NETWORK FILE NAME SS555828	SIZE B
			DRAWING NO SS555828
			REV

**IF MOTOR HAS 9 LEADS**



**IF MOTOR HAS 6 LEADS**



A-9806 DECAL IF CALLED FOR

**IF MOTOR HAS 12 LEADS**



**VIEW OF TERMINAL END**

DRAWING REVISION <b>L</b>	REVISION BY <b>AJW</b>	DATE <b>05-04-2015</b>	TOLERANCES UNLESS OTHERWISE SPECIFIED:	DRAWN BY <b>DRS</b>	<b>Regal Beloit America, Inc.</b>																					
ECO <b>ECO-0077067</b>	APPROVED BY <b>EWH</b>	DATE <b>05-05-2015</b>	<table style="font-size: small; border-collapse: collapse;"> <tr> <td><u>DEC.</u></td> <td><u>INCH</u></td> <td><u>mm</u></td> <td><u>ANGLE</u></td> </tr> <tr> <td>.X</td> <td>±0.1</td> <td>[±2.5]</td> <td>±7' 30"</td> </tr> <tr> <td>.XX</td> <td>±0.02</td> <td>[±0.51]</td> <td></td> </tr> <tr> <td>.XXX</td> <td>±0.005</td> <td>[±0.127]</td> <td></td> </tr> <tr> <td>.XXXX</td> <td>±0.0005</td> <td>[±0.0127]</td> <td></td> </tr> </table>	<u>DEC.</u>			<u>INCH</u>	<u>mm</u>	<u>ANGLE</u>	.X	±0.1	[±2.5]	±7' 30"	.XX	±0.02	[±0.51]		.XXX	±0.005	[±0.127]		.XXXX	±0.0005	[±0.0127]		DATE <b>09-27-1996</b>
<u>DEC.</u>	<u>INCH</u>	<u>mm</u>	<u>ANGLE</u>																							
.X	±0.1	[±2.5]	±7' 30"																							
.XX	±0.02	[±0.51]																								
.XXX	±0.005	[±0.127]																								
.XXXX	±0.0005	[±0.0127]																								
ECO DESCRIPTION <b>UPDATED TO SOLIDWORKS</b> <small>COPYRIGHT REGAL BELOIT AMERICA, INC. ALL RIGHTS RESERVED. PROPRIETARY AND CONFIDENTIAL INFORMATION - THIS DOCUMENT IS THE PROPERTY OF REGAL BELOIT AMERICA, INC. ("OWNER") AND CONTAINS OWNER'S PROPRIETARY INFORMATION. ANY PERSON, CORPORATION OR OTHER FIRM RECEIVING IT IS DEEMED, BY RECEIVING IT, TO AGREE THAT IT, AND/OR ANY PART OF IT, SHALL NOT BE DISCLOSED TO ANY PERSON, CORPORATION OR OTHER ENTITY, DUPLICATED, AND/OR USED, EXCEPT AS EXPRESSLY APPROVED IN WRITING IN ADVANCE BY OWNER. THIS DOCUMENT SHALL BE RETURNED TO OWNER UPON REQUEST. IT MAY BE SUBJECT TO CERTAIN RESTRICTIONS UNDER APPLICABLE EXPORT CONTROL LAWS AND REGULATIONS.</small>			APPROVED BY <b>GK</b>	MATERIAL	PROCESS/FINISH																					
			REMOVE BURRS & BREAK SHARP EDGES: .003/.015 [.076/.381] X 45° CORNER FILLETS: R.02 [.51] MACHINED SURFACES: 200 $\sqrt{\text{INCH}}$ 5.1 $\sqrt{\text{mm}}$ mm SHOWN IN [BRACKETS]			DATE <b>09-30-1996</b>	<b>EE7300U</b>																			
REFERENCE	THIRD ANGLE PROJECTION	SIZE <b>A</b>				DRAWING NUMBER			SHEET <b>1 OF 1</b>																	

**CERTIFICATION DATA SHEET**

**Model#:** 445TTDN16002 AA                      **WINDING#:** T445294 NONE 2  
**CONN. DIAGRAM:** A-EE7300U                      **ASSEMBLY:** F1/F2 CAPABLE  
**OUTLINE:** B-SS555828-2538

**TYPICAL MOTOR PERFORMANCE DATA**

HP	KW	SYNC. RPM	F.L. RPM	FRAME	ENCLOSURE	KVA CODE	DESIGN					
250	187	3600	3570	445HPV	DP	G	B					
PH	Hz	VOLTS	FL AMPS	START TYPE	DUTY	INSL	S.F	AMB°C	ELEVATION			
3	60	460	275	ACROSS THE LINE	CONTINUOUS	F1	1.15	40	3300			
<b>FULL LOAD EFF: 95.4</b>		<b>3/4 LOAD EFF: 95.4</b>		<b>1/2 LOAD EFF: 95</b>		<b>GTD. EFF</b>		<b>ELEC. TYPE</b>		<b>NO LOAD AMPS</b>		
<b>FULL LOAD PF: 89</b>		<b>3/4 LOAD PF: 87</b>		<b>1/2 LOAD PF: 82</b>		94.5		SQ CAGE IND RUN		72		
<b>F.L. TORQUE</b>		<b>LOCKED ROTOR AMPS</b>		<b>L.R. TORQUE</b>		<b>B.D. TORQUE</b>		<b>F.L. RISE°C</b>				
368 LB-FT		1800		550 LB-FT 150		1000 LB-FT 272		65				
<b>SOUND PRESSURE @ 3 FT.</b>		<b>SOUND POWER</b>		<b>ROTOR WK^2</b>		<b>MAX. WK^2</b>		<b>SAFE STALL TIME</b>		<b>STARTS /HOUR</b>		<b>APPROX. MOTOR WGT</b>
84 dBA		94 dBA		29 LB-FT^2		- LB-FT^2		10 SEC.		-		1900 LBS.

**\*\*\* SUPPLEMENTAL INFORMATION \*\*\***

DE BRACKET TYPE	ODE BRACKET TYPE	MOUNT TYPE	ORIENTATION	SEVERE DUTY	HAZARDOUS LOCATION	DRIP COVER	SCREENS	PAIN
P-BASE	STANDARD	ROUND	SHAFT DOWN	FALSE	NONE	TRUE	RODENT	BLUE (ENAMEL)

BEARINGS		GREASE	SHAFT TYPE	SPECIAL DE	SPECIAL ODE	SHAFT MATERIAL	FRAME MATERIAL
DE	OPE	POLYREX EM	HP	NONE	NONE	1045 HOT ROLLED (C-204)	CAST IRON
BALL	DUPLEX TANDEM ANGULAR CONTACT						
6313	7313 2						

THERMO-PROTECTORS				THERMISTORS	CONTROL	SPACE /n HEATERS
THERMOSTATS	PROTECTORS	WDG RTDs	BRG RTDs	NONE	FALSE	NONE VOLTS
NONE	NOT	NONE	NONE			

If Inverter equals NONE, contact factory for further information

* N O T E S *	INVERTER TORQUE: NONE
	INV. HP SPEED RANGE: NONE
	ENCODER: NONE
	NONE NONE
	NONE NONE PPR
BRAKE: NONE NONE	
NONE P/N NONE	
NONE NONE	
NONE FT-LB NONE V NONE Hz	

DATE: 06/21/2017 05:39:03 AM  
 FORM 3531 REV.3 02/07/99

\*\* Subject to change without notice.

**Data Sheet**

**Date:** 29-06-2017  
**Customer:** \_\_\_\_\_  
**Attention:** \_\_\_\_\_  
**Submitted by:** FAREEDA DUDEKULA



445TDN16002

**Submittal**

Data @ **460 V**

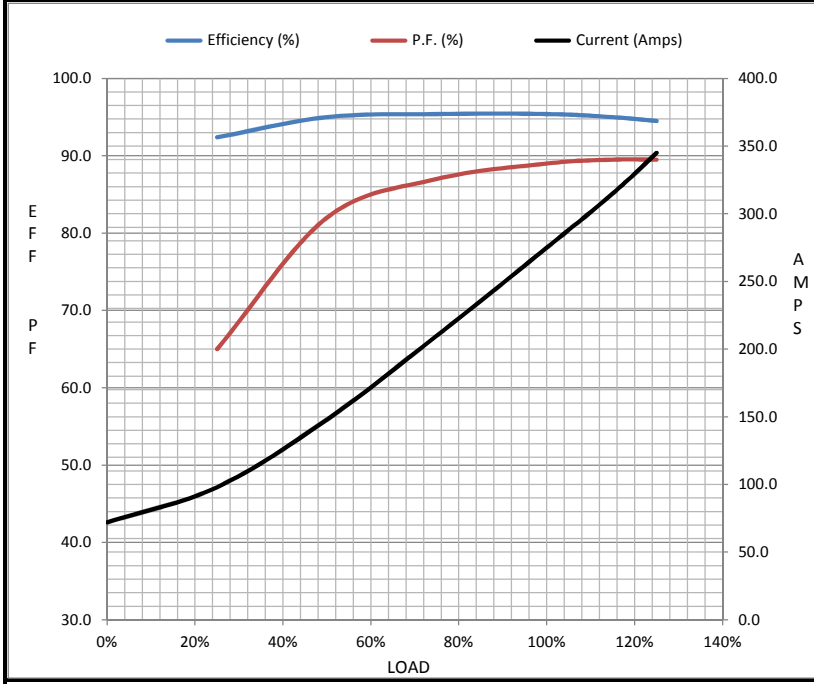
**Motor Load Data**

Load	0%	25%	50%	75%	100%	115%	125%	LR
Current (Amps)	72.0	98.0	148	210	275	315	345	1,800
Torque (ft-lb)	0.00	91.5	183	275	368	424	461	550
RPM	3600	3592	3585	3578	3570	3,565	3562	0
Efficiency (%)		92.4	95.0	95.4	95.4	95.0	94.5	
P.F. (%)	6.0	65.0	82.0	87.0	89.0	89.5	89.5	26.0

**Motor Speed Data**

	LR	Pull-Up	BD	Rated	Idle
Speed (RPM)	0	1800	3425	3570	3600
Current (Amps)	1,800	1,650	1,050	275	72.0
Torque (ft-lb)	550	400	1,000	368	0.00

Information Block				
HP	250.0			
Sync. RPM	3600			
Frame	445			
Enclosure	DP			
Construction	TDN			
Voltage	460 V			
Frequency	60 Hz			
Design	A			
LR Code letter	G			
Service Factor	1.15			
Temp Rise @ FL	65 °C			
Duty	CONT			
Ambient	40 °C			
Elevation	1,000 feet			
Rotor/Shaft wk <sup>2</sup>	29.0 Lb-Ft <sup>2</sup>			
Ref Wdg	T445294 NONE			
Sound Pressure @ 1M	84 dBA			
VFD Rating	NONE			
Outline Dwg	B-SS555828-2538			
Conn. Diag	A-EE7300U			
Additional Specifications:				
0				
365THFS8036				
EQUIV CKT (OHMS / PHASE)				
R1	R2	X1	X2	Xm
0.0150	0.0080	0.1120	0.0600	3.6730



**Speed - Torque Curve**

