

PRODUCT INFORMATION PACKET

marathon[®]
Motors

Model No: 445TSTGN4001

Catalog No: U074

Other Purpose Motor, 150 & 125 HP, 3 Ph, 60 & 50 Hz, 460 & 380 V, 3600 & 3000 RPM, 445TS Frame,
EPFC

Regal and Marathon are trademarks of Regal Rexnord Corporation or one of its affiliated companies.

©2023 Regal Rexnord Corporation, All Rights Reserved. MC017097E

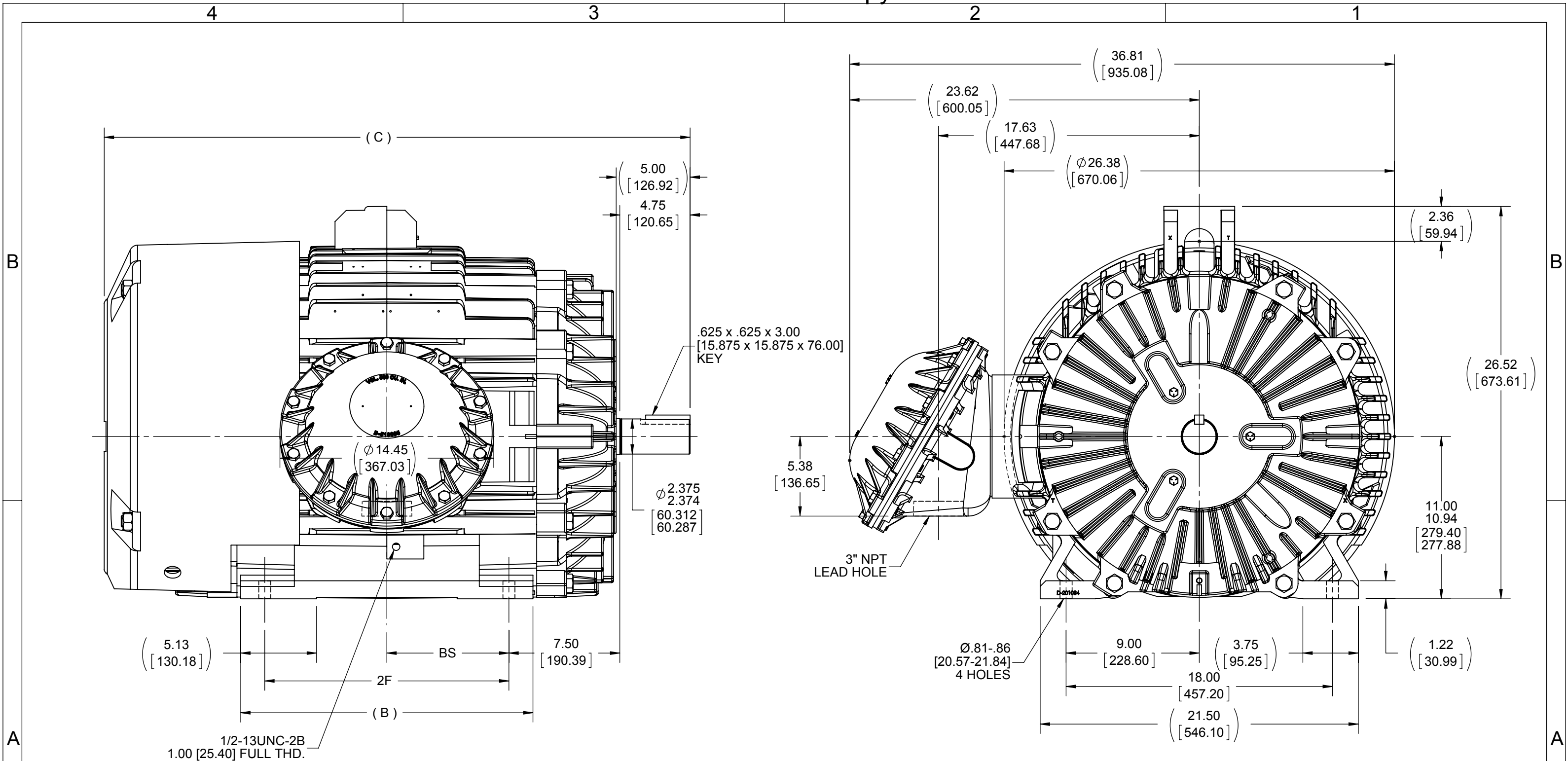
RegalRexnord

Nameplate Specifications

Phase	3	Output HP	150 & 125 Hp
Output KW	112.0 & 93.0 kW	Voltage	460 & 380 V
Speed	3575 & 2970 rpm	Service Factor	1.15 & 1.15
Frame	445TS	Enclosure	Explosion Proof Fan cooled
Thermal Protection	Thermostat	Efficiency	95.4 & 95 %
Ambient Temperature	40 °C	Frequency	60 & 50 Hz
Current	167 & 167 A	Power Factor	88
Duty	Continuous	Insulation Class	F
Design Code	B	KVA Code	G
Drive End Bearing Size	6313	Opp Drive End Bearing Size	6313
UL	UL Listed And CSA Certified	CSA	Y
CE	N	IP Code	54
Number of Speeds	1	Hazardous Location	EXP PROOF CL I GR C&D CL II GR F&G T3B

Technical Specifications

Electrical Type	Squirrel Cage Inverter Rated	Starting Method	Line Or Inverter
Poles	2	Rotation	Reversible
Resistance Main	.0223 Ohms	Mounting	Rigid Base
Motor Orientation	Horizontal	Drive End Bearing	Ball
Opp Drive End Bearing	Ball	Frame Material	Cast Iron
Shaft Type	TS	Overall Length	39.59 in
Frame Length	20.25 in	Shaft Diameter	2.375 in
Shaft Extension	5 in	Assembly/Box Mounting	F1 ONLY
Connection Drawing	A-EE7300S	Outline Drawing	B-SS515918-2025



- NOTES:
 1. CONDUIT BOX CAN BE ROTATED IN 90° STEPS.
 2. NAMEPLATES TO BE READ FROM CONDUIT BOX SIDE OF MOTOR.
 3. DIMENSION IN [] DESIGNATE MILLIMETERS.

DASH	FRAME	B	C	2F	BS
1825	444TS	17.75 [450.85]	37.59 [954.79]	14.50 [368.30]	7.25 [184.15]
2025	445TS	19.75 [501.65]	39.59 [1005.59]	16.50 [419.10]	8.25 [209.55]

DRAWING REVISION C	REVISION BY JJB	DATE 06-30-2014
ECO ECO-0054447	APPROVED BY TDB	DATE 06-30-2014
ECO DESCRIPTION UPDATED TO CURRENT STANDARDS COPYRIGHT REGAL BELOIT AMERICA, INC. ALL RIGHTS RESERVED PROPRIETARY AND CONFIDENTIAL INFORMATION - THIS DOCUMENT IS THE PROPERTY OF REGAL BELOIT AMERICA, INC. ("OWNER") AND CONTAINS OWNER'S PROPRIETARY INFORMATION. ANY PERSON, CORPORATION OR OTHER FIRM RECEIVING IT IS DEEMED, BY RECEIVING IT, TO AGREE THAT IT, AND/OR ANY PART OF IT, SHALL NOT BE DISCLOSED TO ANY PERSON, CORPORATION OR OTHER ENTITY, DUPLICATED, AND/OR USED, EXCEPT AS EXPRESSLY APPROVED IN WRITING IN ADVANCE BY OWNER. THIS DOCUMENT SHALL BE RETURNED TO OWNER UPON REQUEST. IT MAY BE SUBJECT TO CERTAIN RESTRICTIONS UNDER APPLICABLE EXPORT CONTROL LAWS AND REGULATIONS.		

TOLERANCES UNLESS OTHERWISE SPECIFIED:
 DEC. INCH mm ANGLE
 .X ±0.1 [±2.5] ±7° 30"
 .XX ±0.03 [±0.76]
 .XXX ±0.005 [±0.127]
 .XXXX ±0.0005 [±0.0127]
 REMOVE BURRS & BREAK SHARP
 EDGES: .003/.015 [0.076/.381]
 CORNER FILLETS: .02 [0.51]
 MACHINED SURFACES: 200 INCH 5.1 mm
 mm SHOWN IN [BRACKETS]

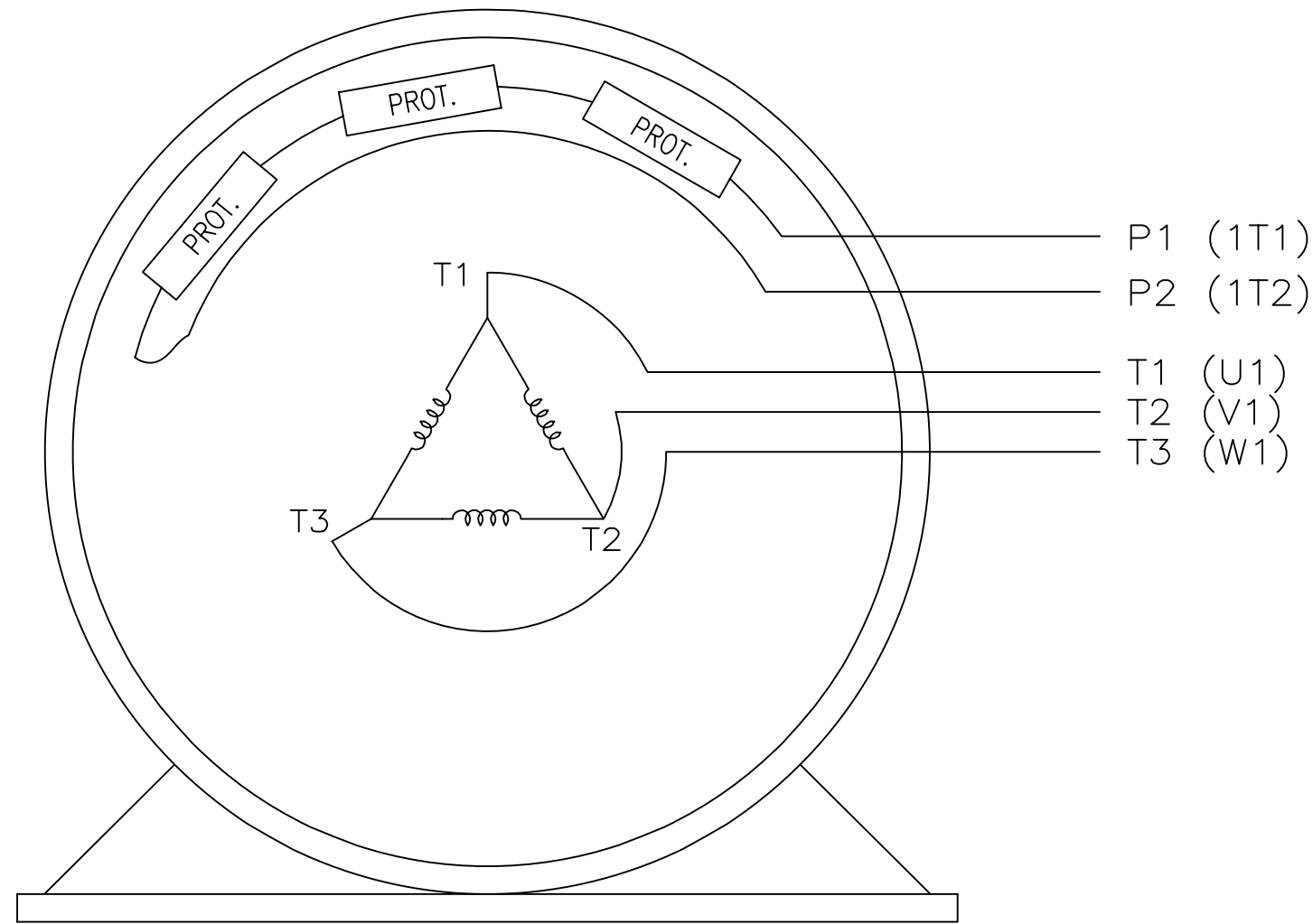
DRAWN BY MH
DATE 01-15-1997
APPROVED BY JL
DATE 02-06-1997
REFERENCE
THIRD ANGLE PROJECTION

REGAL ™ Regal Beloit America, Inc.	
DESCRIPTION OUTLINE 444/445TS FR. - EXP PR - STD. - TEFC - TGN	
MATERIAL	PROCESS/FINISH
SIZE B	DRAWING NUMBER SS515918
SHEET 1 OF 1	

EE7300S

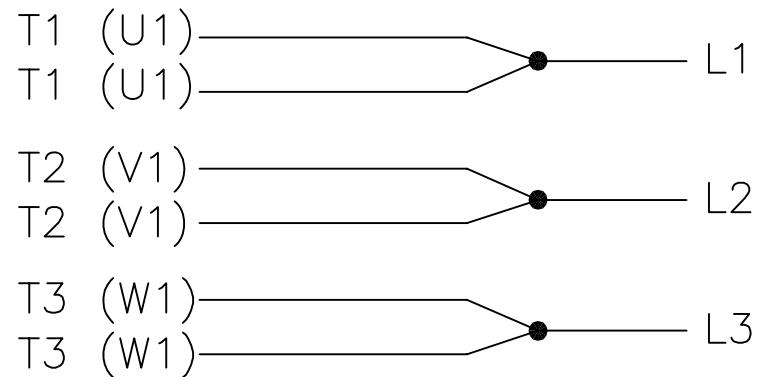
THREE PHASE – SINGLE VOLTAGE MOTOR

TO REVERSE ROTATION:
INTERCHANGE ANY TWO LINE
LEAD CONNECTIONS



VIEW OF TERMINAL END

IF MOTOR HAS MULTIPLE
T'S PER LEAD CONNECT
TOGETHER LIKE T'S



A-9806 DECAL

NO.	REVISION	BY & DATE	CHK	TOLERANCES UNLESS SPECIFIED			REGAL-BELOIT CORPORATION	DRAWN KL 12-15-1999
				DEC.	INCHES			
F	UPDATED TITLE BLOCK	HV 02-27-2014	EWB	.X	±	-	REGAL-BELOIT CORPORATION	CHK DJK 12-15-1999
3	REMOVED "N.C." FROM PROT.'S MU61770	JJB 08-02-2010		.XX	±	-	TITLE CONNECTION DIAGRAM – EXTERNAL	APPD DJK 12-15-1999
2	ADDED IEC MARKINGS MU61770	KL 09-16-2004	EAB	.XXX	±	-	SINGLE VOLTAGE 3Ø MOTOR	SCALE 1=1
1	NEW DRAWING	KL 12-16-1999		.XXXX	±	-	MAT'L.	REF
				ANG	±	-	FINISH	FMF
			RFP				CAD FILE ee7300s	PREV
			DIST WA-LB-SB				SIZE A	DRAWING NO. EE7300S
								PAGE OF REV. F

THIS DRAWING IN DESIGN AND DETAIL IS OUR PROPERTY AND MUST NOT BE USED EXCEPT IN CONNECTION WITH OUR WORK ALL RIGHTS OF DESIGN AND INVENTION ARE RESERVED THIS IS AN ELECTRONICALLY GENERATED DOCUMENT – DO NOT SCALE THIS PRINT