

PRODUCT INFORMATION PACKET

Model No: 445TSTFN14013

Catalog No: Y1634

Fire Pump Motor, 150 & 125 HP, 3 Ph, 60 & 50 Hz, 460 & 380 V, 3600 & 3000 RPM, 445TS Frame, TEFC



Regal and Marathon are trademarks of Regal Rexnord Corporation or one of its affiliated companies.

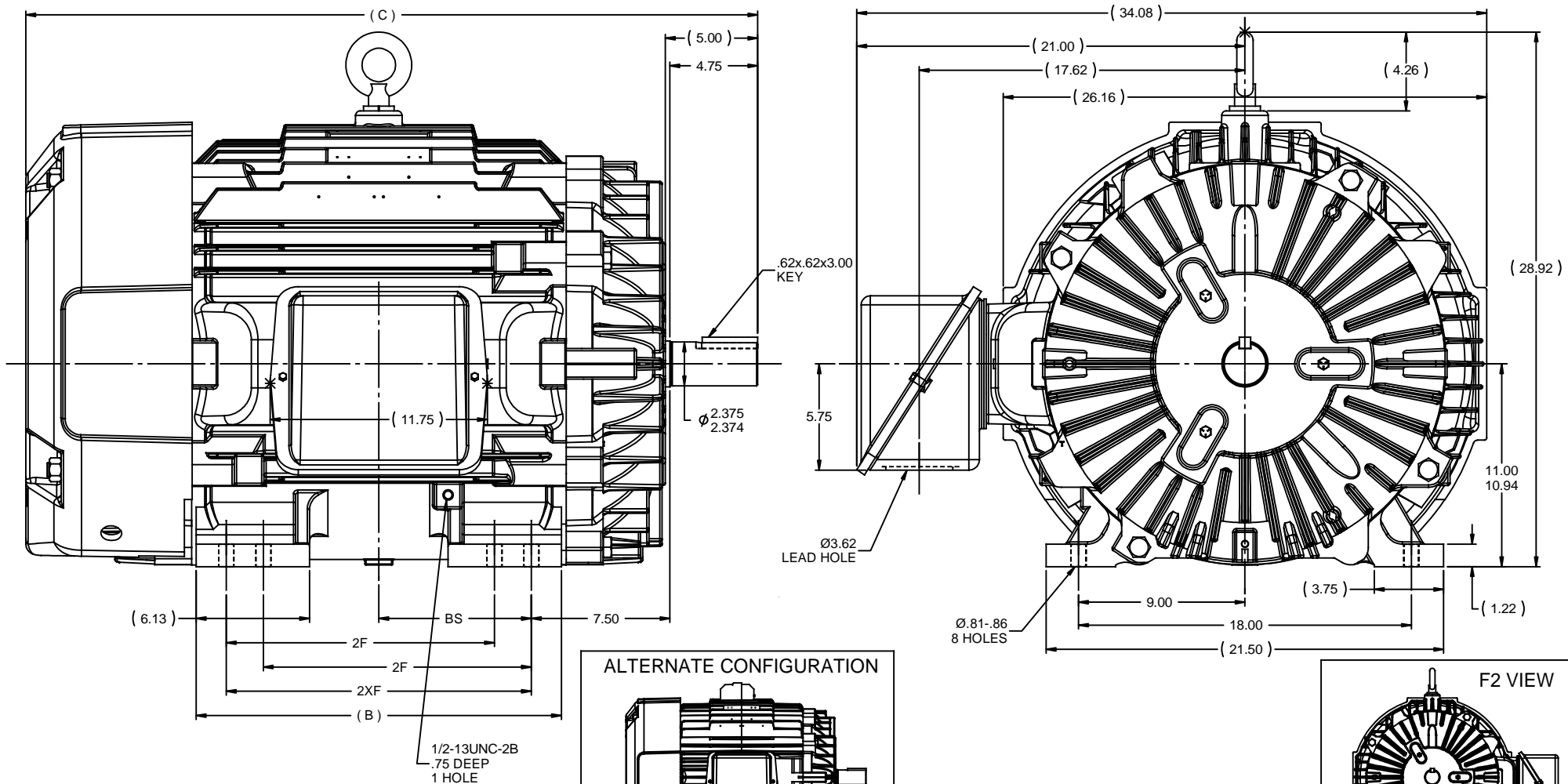
©2023 Regal Rexnord Corporation, All Rights Reserved. MC017097E

Nameplate Specifications

Phase	3	Output HP	150 & 125 Hp
Output KW	112.0 & 93.0 kW	Voltage	460 & 380 V
Speed	3565 & 2970 rpm	Service Factor	1.15 & 1.15
Frame	445TS	Enclosure	Totally Enclosed Fan Cooled
Thermal Protection	No Protection	Efficiency	94.5 & 94.5 %
Ambient Temperature	40 °C	Frequency	60 & 50 Hz
Current	165 & 165 A	Power Factor	89
Duty	Continuous	Insulation Class	F
Design Code	B	KVA Code	G
Drive End Bearing Size	6313	Opp Drive End Bearing Size	6313
UL	No	CSA	Y
CE	Y	IP Code	43
Number of Speeds	1		

Technical Specifications

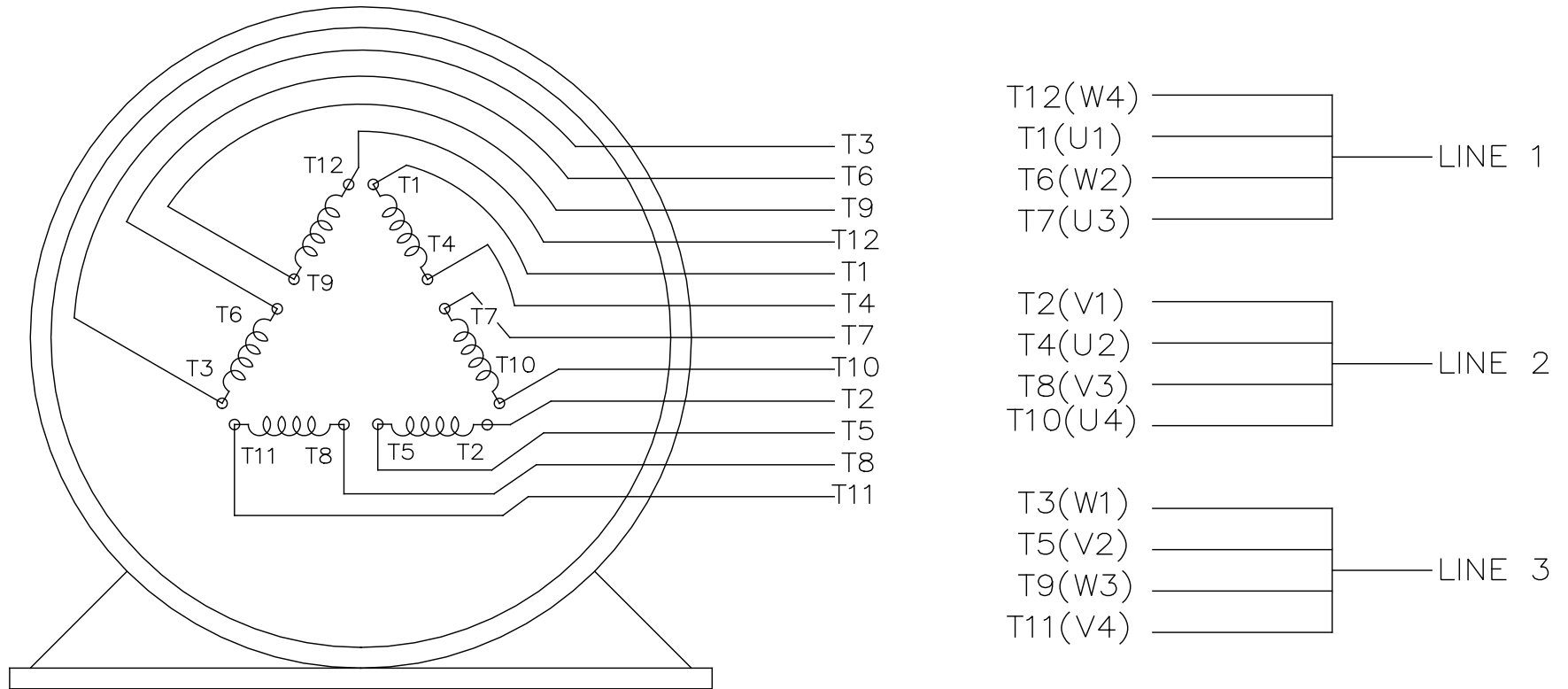
Electrical Type	Squirrel Cage Induction Run	Starting Method	Part Wdg Start & Wye Start Delta Run
Poles	2	Rotation	Reversible
Resistance Main	.023 Ohms	Mounting	Rigid Base
Motor Orientation	Horizontal	Drive End Bearing	Ball
Opp Drive End Bearing	Ball	Frame Material	Cast Iron
Shaft Type	TS	Overall Length	39.60 in
Frame Length	20.25 in	Shaft Diameter	2.375 in
Shaft Extension	5 in	Assembly/Box Mounting	F1/F2 CAPABLE
Connection Drawing	A-EE7300BH	Outline Drawing	B-SS514023-2025



- NOTES:
 1. CONDUIT BOX CAN BE ROTATED IN 90° STEPS.
 2. CONDUIT BOX CAN BE MOUNTED ON OPPOSITE SIDE BY REMOVING BRACKETS AND TURNING FRAME 180°.
 3. NAMEPLATES TO BE READ FROM CONDUIT BOX SIDE OF MOTOR.

10	CORRECTED C'BOX DIM. 5.75 WAS 5.56 ISAAC 09-5049	JJB 2/4/2011		TOLERANCES UNLESS SPECIFIED						
9	UPDATED WITH NEW FRAME. 28.92 DIMENSION WAS 26.52.			DEC	INCHES					
	ADDED PREVIOUS CONFIG. & F2 VIEW PER ISAAC 09-5049	JJB 12/16/2008	MH	x	±.1					
8	CHG. FAN GUARD & REV. C DIM. PER CN 39335	RWR 01/22/2007	ML	xx	±.03	TITLE	OUTLINE			SCALE 1:5.25
7	REVISED LEAD DIM FROM Ø4.12 PER CN 32179	CTO 03/24/2003	ML	xxx	±.005		444/445TS FR. - TEFC - STD.			REF
6	REISSUE - 26.52 DIMENSION WAS 24.19 CN 21946	KL 05/19/1999		xxxx	±.0005	MATL				FMF
NO	REVISION	BY & DATE	CHK	ANG	±1/2°	FINISH				PAGE OF
			RFP	06-25-1991	PREV					
	THIRD ANGLE PROJECTION		NETWORK FILE NAME	SS514023						
			SIZE	DRAWING NO	REV					
			B	SS514023						

DASH	FRAME	B	C	2F	2XF	BS
1825	444TS	17.75	37.60	14.50	---	7.25
2025	444/445TS	19.75	39.60	14.50	16.50	8.25



VIEW OF TERMINAL END

				TOLERANCES UNLESS SPECIFIED		REGAL REGAL - BELOIT CORPORATION	DRAWN RJW 02-11-2005				
				DEC.	INCHES		CHK	ML	02-11-2005		
				.X	±.1		APPD	GK	02-11-2005		
				.XX	±.02	TITLE CONNECTION DIAGRAM		SCALE			
D	CHANGED TO REGAL TITLE BLOCK	ECO-0108299	WGJ 08/22/2016	EMH	.XXX ±.005	12 LEAD- SINGLE VOLTAGE		REF			
1	ADDED IEC TERMINAL MARKINGS	CN 41429	JJB 05/24/2007	ML	.XXXX ±.0005	MAT'L.		FMF			
NO.	REVISION	BY & DATE	CHK	ANG	±7'30"	FINISH		PREV			
THIS DRAWING IN DESIGN AND DETAIL IS OUR PROPERTY AND MUST NOT BE USED EXCEPT IN CONNECTION WITH OUR WORK ALL RIGHTS OF DESIGN AND INVENTION ARE RESERVED THIS IS AN ELECTRONICALLY GENERATED DOCUMENT - DO NOT SCALE THIS PRINT						RFP 02-11-2005	CAD FILE ee7300bh	SIZE A	DRAWING NO. EE7300BH	PAGE OF	REV. C
						DIST LB					

CERTIFICATION DATA SHEET

Model#: 445TSTFN14013 AA **WINDING#:** T445287 NONE 1
CONN. DIAGRAM: A-EE7300BH **ASSEMBLY:** F1/F2 CAPABLE
OUTLINE: B-SS514023-2025

TYPICAL MOTOR PERFORMANCE DATA

HP	KW	SYNC. RPM	F.L. RPM	FRAME	ENCLOSURE	KVA CODE	DESIGN
150&125	112&93	3600	3565&2970	445TS	TEFC	G	B

PH	Hz	VOLTS	FL AMPS	START TYPE	DUTY	INSL	S.F	AMB°C	ELEVATION
3	60/50	460#380	165&165	PWS & YDRUN	CONTINUOUS	F1	1.15/1.15	40	3300

FULL LOAD EFF:	3/4 LOAD EFF:	1/2 LOAD EFF:	GTD. EFF	ELEC. TYPE	NO LOAD AMPS
94.5&94.5	94.5	93.6	93.6	SQ CAGE IND RUN	42
FULL LOAD PF: 89&89	3/4 LOAD PF: 88	1/2 LOAD PF: 83			

F.L. TORQUE	LOCKED ROTOR AMPS	L.R. TORQUE	B.D. TORQUE	F.L. RISE°C
221 LB-FT	1025	300 LB-FT 135	625 LB-FT 282	75

SOUND PRESSURE @ 3 FT.	SOUND POWER	ROTOR WK^2	MAX. WK^2	SAFE STALL TIME	STARTS /HOUR	APPROX. MOTOR WGT
80 dBA	90 dBA	30 LB-FT^2	110 LB-FT^2	15 SEC.	2	2150 LBS.

***** SUPPLEMENTAL INFORMATION *****

DE BRACKET TYPE	ODE BRACKET TYPE	MOUNT TYPE	ORIENTATION	SEVERE DUTY	HAZARDOUS LOCATION	DRIP COVER	SCREENS	PAINT
STANDARD	STANDARD	RIGID	HORIZONTAL	FALSE	NONE	FALSE	NONE	RED (ENAMEL)

BEARINGS		GREASE	SHAFT TYPE	SPECIAL DE	SPECIAL ODE	SHAFT MATERIAL	FRAME MATERIAL
DE	OPE						
BALL	BALL	POLYREX EM	TS	NONE	NONE	1045 HOT ROLLED (C-204)	CAST IRON
6313	6313						

THERMO-PROTECTORS				THERMISTORS	CONTROL	SPACE /n HEATERS
THERMOSTATS	PROTECTORS	WDG RTDs	BRG RTDs			
NONE	NOT	NONE	NONE	NONE	FALSE	NONE VOLTS

If Inverter equals NONE, contact factory for further information

*
N
O
T
E
S
*

INVERTER TORQUE: NONE
INV. HP SPEED RANGE: NONE
ENCODER: NONE
NONE NONE
NONE NONE PPR
BRAKE: NONE NONE
NONE P/N NONE
NONE NONE
- FT-LB NONE V NONE Hz

DATE: 06/21/2017 05:25:10 AM
 FORM 3531 REV.3 02/07/99
 ** Subject to change without notice.

Data Sheet

Date: 29-06-2017
 Customer: _____
 Attention: _____
 Submitted by: FAREEDA DUDEKULA



445TSTFN14013

Submittal

Data @ 460 V

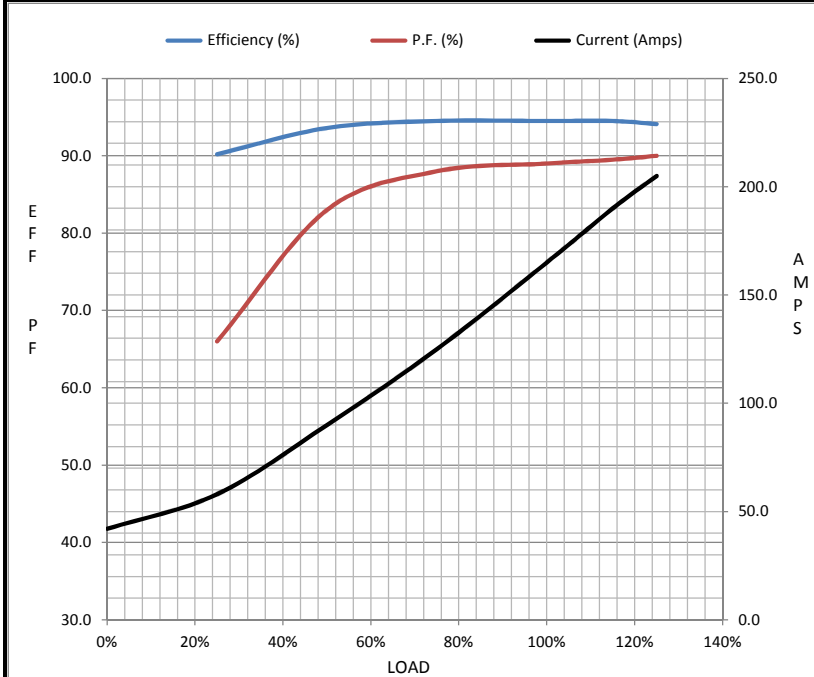
Motor Load Data

Load	0%	25%	50%	75%	100%	115%	125%	LR
Current (Amps)	42.0	58.0	90.0	125	165	190	205	1,025
Torque (ft-lb)	0.00	55.0	110	165	221	254	276	300
RPM	3600	3590	3585	3575	3565	3,560	3555	0
Efficiency (%)		90.2	93.6	94.5	94.5	94.5	94.1	
P.F. (%)	7.0	66.0	83.0	88.0	89.0	89.5	90.0	27.0

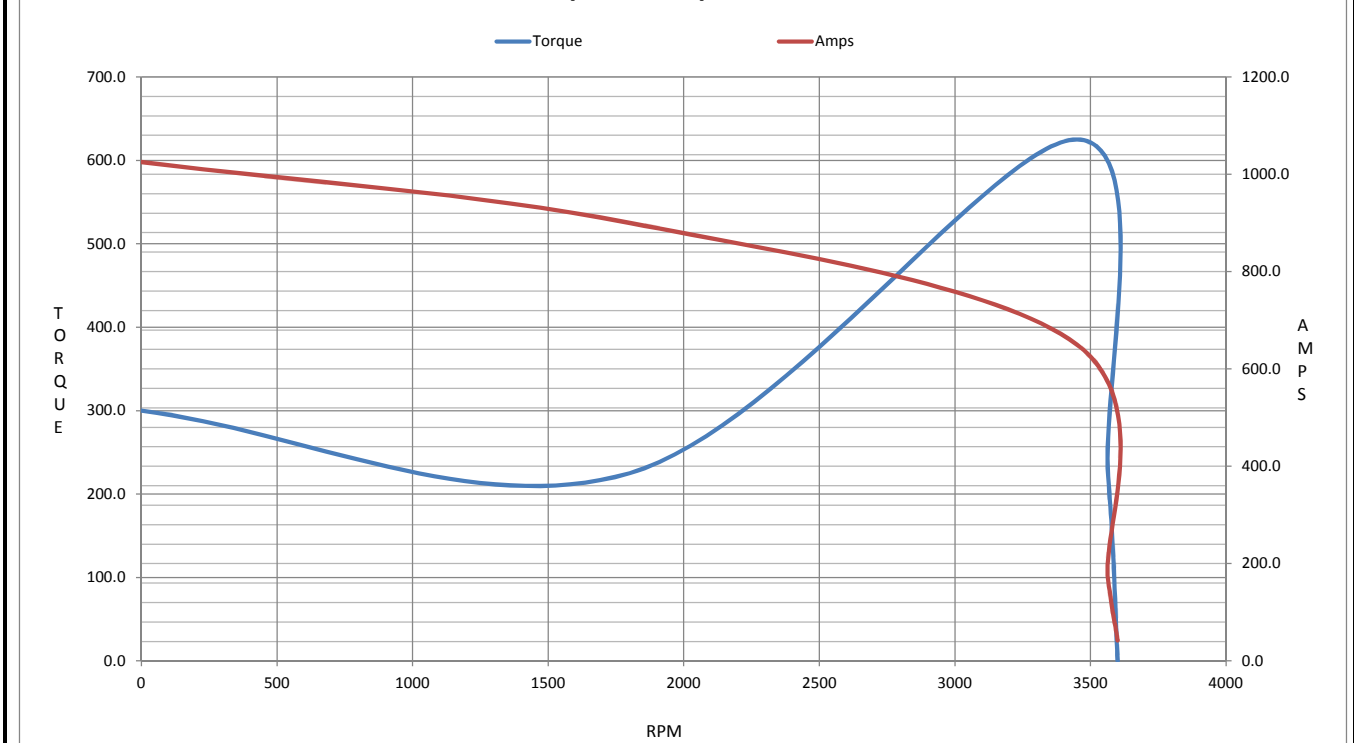
Motor Speed Data

	LR	Pull-Up	BD	Rated	Idle
Speed (RPM)	0	1800	3450	3565	3600
Current (Amps)	1,025	900	650	165	42.0
Torque (ft-lb)	300	225	625	221	0.00

Information Block				
HP	150.0			
Sync. RPM	3600			
Frame	445			
Enclosure	TEFC			
Construction	TFN			
Voltage	460#380 V			
Frequency	60 Hz			
Design	A			
LR Code letter	G			
Service Factor	1.15			
Temp Rise @ FL	75 ° C			
Duty	CONT			
Ambient	40 ° C			
Elevation	1,000 feet			
Rotor/Shaft wk ²	30.0 Lb-Ft ²			
Ref Wdg	T445287 NONE			
Sound Pressure @ 1M	80 dBA			
VFD Rating	NONE			
Outline Dwg	B-SS514023-2025			
Conn. Diag	A-EE7300BH			
Additional Specifications:				
0				
365THFS8036				
EQUIV CKT (OHMS / PHASE)				
R1	R2	X1	X2	Xm
0.0190	0.0130	0.1870	0.1360	6.1710



Speed - Torque Curve



EC Declaration of Conformity

The undersigned representing
the manufacturer:

Regal Beloit America
100 East Randolph St.
Wausau, WI 54401

and the authorized representative
established within the Community:

Marathon Electric UK
6F Thistleton Road Ind. Estate
Market Overton
Oakham, Rutland LE15 7PP UK

are committed to providing customers with products that comply with applicable regulations and international protocols to which they are subject, including the requirements of the European Parliament Directive on the Harmonization of the laws relating to electrical equipment designed for use within certain voltage limits (2014/35/EU).

Regal Beloit America declares that the following product(s), to which this declaration relates, are in conformity with the relevant sections of the EC standards listed below.

This statement supersedes any statements previously issued pertaining to the product(s) listed below and is subject to change without notice.

Model No : 445TSTFN14013

(Model No. may contain prefix and/or suffix characters)

Catalog No : Y1634

Rework No : N/A

Directives :

Low Voltage Directive 2014/35/EU

Harmonized Standards Used :

EN 60034-1: 2010 (IEC 60034-1: 2010)

EN 60034-5: 2001/A1:2007 (IEC 60034-5: 2000/A1:2006)

Authorized Representative:



Michael A. Logsdon
Vice President, Technology

Authorized Representative in the Community:



Julian Clark
Marketing Engineer

Created on 09/03/2022

CE 22