

PRODUCT INFORMATION PACKET

marathon®
Motors

Model No: 445TSTFCD6003

Catalog No: GT1051A-P

Globetrotter® General Purpose Motor, 150 & 125 HP, 3 Ph, 60 & 50 Hz, 460 & 380 V, 3600 & 3000 RPM,
445TS Frame, TEFC



Regal and Marathon are trademarks of Regal Rexnord Corporation or one of its affiliated companies.

©2023 Regal Rexnord Corporation, All Rights Reserved. MC017097E

RegalRexnord

Nameplate Specifications

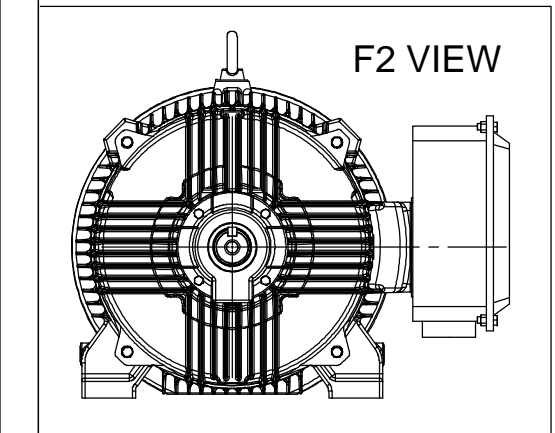
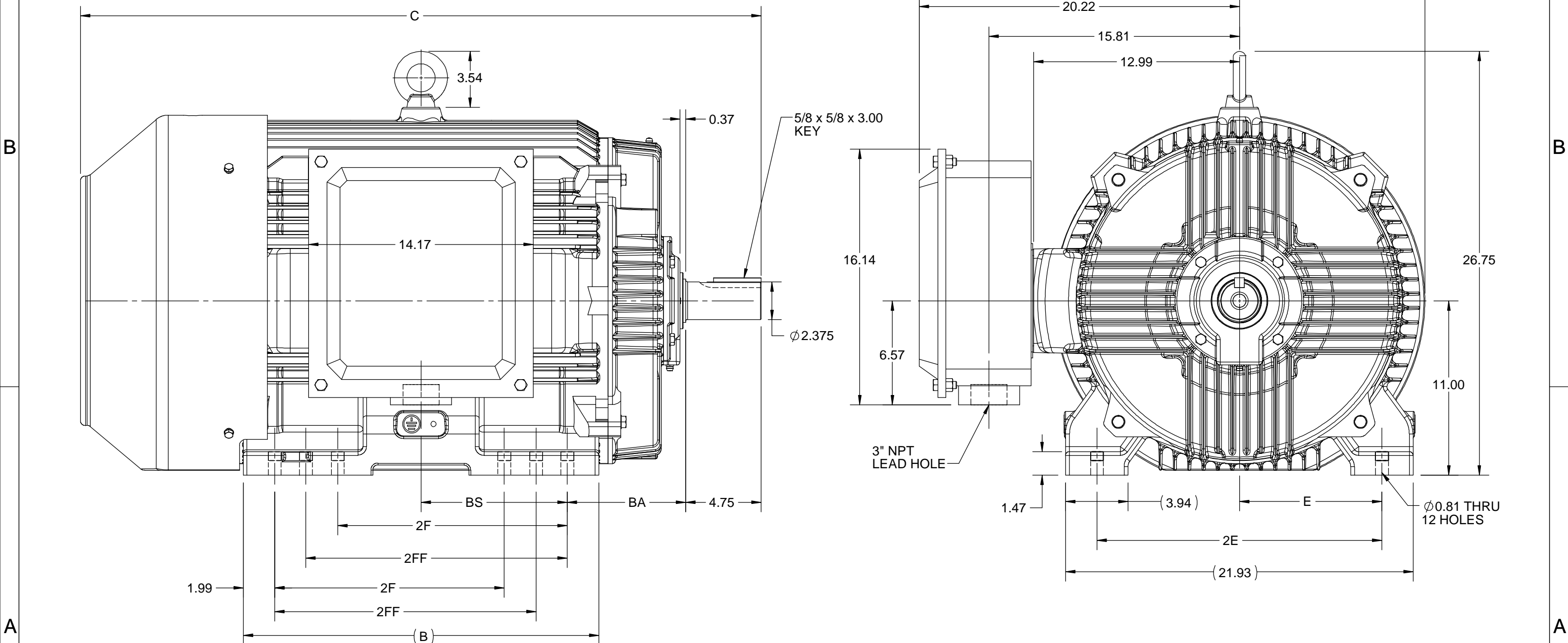
Phase	3	Output HP	150 & 125 Hp
Output KW	112.0 & 93.0 kW	Voltage	460 & 380 V
Speed	3575 & rpm	Service Factor	1.15 & 1.15
Frame	445TS	Enclosure	Totally Enclosed Fan Cooled
Thermal Protection	No Protection	Efficiency	95 & 94.5 %
Ambient Temperature	40 °C	Frequency	60 & 50 Hz
Current	161 & 195 A	Power Factor	90
Duty	Continuous	Insulation Class	F
Design Code	B	KVA Code	G
Drive End Bearing Size	6314	Opp Drive End Bearing Size	6314
UL	Recognized	CSA	Y
CE	Y	IP Code	55
Number of Speeds	1		

Technical Specifications



Electrical Type	Squirrel Cage Inverter Rated	Starting Method	Part Wdg Start Or Inverter
Poles	2	Rotation	Reversible
Resistance Main	.0304 Ohms	Mounting	Rigid Base
Motor Orientation	Horizontal	Drive End Bearing	Ball
Opp Drive End Bearing	Ball	Frame Material	Cast Iron
Shaft Type	TS	Shaft Diameter	2.375 in
Assembly/Box Mounting	F1/F2 CAPABLE	Inverter Load	CONSTANT 2:1/VARIABLE 10:1
Outline Drawing	SS557008	Connection Drawing	EE7341C

This is an uncontrolled document once printed or downloaded and is subject to change without notice. Date Created:06/22/2023

4		3					2		1
B	C	E	2E	2F	2FF	BA	BS	MOUNTING	
22.44	42.96	9.00	18.00	14.50	16.50	7.50	9.23	F1 OR F2	



DRAWING REVISION E	REVISION BY BISWA	DATE 30/11/2020
ECO ECO-0195277	APPROVED BY GNK	DATE 30/11/2020
ECO DESCRIPTION		
DRAWING UPDATED		
<small>COPYRIGHT REGAL BELOIT AMERICA, INC. ALL RIGHTS RESERVED. PROPRIETARY AND CONFIDENTIAL INFORMATION - THIS DOCUMENT IS THE PROPERTY OF REGAL BELOIT AMERICA, INC. ("OWNER") AND CONTAINS OWNER'S PROPRIETARY INFORMATION. ANY PERSON, CORPORATION OR OTHER FIRM RECEIVING IT IS DEEMED, BY RECEIVING IT, TO AGREE THAT IT, AND/OR ANY PART OF IT, SHALL NOT BE DISCLOSED TO ANY PERSON, CORPORATION OR OTHER ENTITY, DUPLICATED, AND/OR USED, EXCEPT AS EXPRESSLY APPROVED IN WRITING IN ADVANCE BY OWNER. THIS DOCUMENT SHALL BE RETURNED TO OWNER UPON REQUEST. IT MAY BE SUBJECT TO CERTAIN RESTRICTIONS UNDER APPLICABLE EXPORT CONTROL LAWS AND REGULATIONS.</small>		

DRAWN BY NIV	 Regal Beloit America, Inc.
DATE 29/03/2015	
APPROVED BY SBD	DESCRIPTION OUTLINE 444/445TS FR-TEFC
DATE 29/03/2015	MATERIAL
REFERENCE	PROCESS/FINISH
THIRD ANGLE PROJECTION 	SIZE B
DRAWING NUMBER SS557008	SHEET 1 OF 1

EE7341C

THREE PHASE – PART WINDING START
DELTA – 6 LEADS

START

CONNECT T1 TO LINE 1
CONNECT T2 TO LINE 2
CONNECT T3 TO LINE 3
T7-T8-T9 OPEN

RUN

CONNECT T1&T7 TO LINE 1
CONNECT T2&T8 TO LINE 2
CONNECT T3&T9 TO LINE 3



VIEW OF TERMINAL END

IF MOTOR HAS 2 T'S

START

CONNECT T1,T1 TO LINE 1
CONNECT T2,T2 TO LINE 2
CONNECT T3,T3 TO LINE 3
T7,T7-T8,T8-T9,T9 OPEN

RUN

CONNECT T1,T1&T7,T7 TO LINE 1
CONNECT T2,T2&T8,T8 TO LINE 2
CONNECT T3,T3&T9,T9 TO LINE 3

		TOLERANCES UNLESS SPECIFIED		REGAL REGAL-BELOIT CORPORATION		DRAWN	BLR	03-09-1998		
		DEC.	INCHES			CHK	ML	03-23-1998		
		.X	± -	TITLE		APPD	GK	03-23-1998		
		.XX	± -	CONNECTION DIAGRAM		SCALE 1=1				
		.XXX	± -	3ø - 6 LEADS		REF				
E		NOTE ADDED FOR 2 T'S	NAR 17-12-2020	RC	.XXX	MAT'L.				
D		RE-DRAWN WITH REGAL LOGO ECO-0110493	WGJ 09-30-2016	EMH	.XXXX	FINISH				
NO.	REVISION	BY & DATE	CHK	ANG	± -	PREV				
THIS DRAWING IN DESIGN AND DETAIL IS OUR PROPERTY AND MUST NOT BE USED EXCEPT IN CONNECTION WITH OUR WORK ALL RIGHTS OF DESIGN AND INVENTION ARE RESERVED THIS IS AN ELECTRONICALLY GENERATED DOCUMENT - DO NOT SCALE THIS PRINT				RFP	CAD FILE EE7341C		SIZE	DRAWING NO.	PAGE OF	REV.
				DIST			A	EE7341C		E

EC Declaration of Conformity

The undersigned representing
the manufacturer:

Regal Beloit America
100 East Randolph St.
Wausau, WI 54401

and the authorized representative
established within the Community:

Marathon Electric UK
6F Thistleton Road Ind. Estate
Market Overton
Oakham, Rutland LE15 7PP UK

are committed to providing customers with products that comply with applicable regulations and international protocols to which they are subject, including the requirements of the European Parliament Directive on the Harmonization of the laws relating to electrical equipment designed for use within certain voltage limits (2014/35/EU).

Regal Beloit America declares that the following product(s), to which this declaration relates, are in conformity with the relevant sections of the EC standards listed below.

This statement supersedes any statements previously issued pertaining to the product(s) listed below and is subject to change without notice.

Model No : 445TSTFCD6003

(Model No. may contain prefix and/or suffix characters)

Catalog No : GT1051A-P

Rework No : N/A

Directives :

Low Voltage Directive 2014/35/EU

Harmonized Standards Used :

EN 60034-1: 2010 (IEC 60034-1: 2010)

EN 60034-5: 2001/A1:2007 (IEC 60034-5: 2000/A1:2006)

Authorized Representative:



Michael A. Logsdon
Vice President, Technology

Authorized Representative in the Community:



Julian Clark
Marketing Engineer

Created on 09/01/2022

CE 22