

PRODUCT INFORMATION PACKET

marathon[®]
Motors

Model No: 445TSTFCD36501
Catalog No: 445TSTFCD36501
200,3600,445TS,TEFC,3/60/400

Regal and Marathon are trademarks of Regal Rexnord Corporation or one of its affiliated companies.
©2023 Regal Rexnord Corporation, All Rights Reserved. MC017097E

The logo for Regal Rexnord, featuring a stylized 'R' icon followed by the text 'RegalRexnord'.

Nameplate Specifications

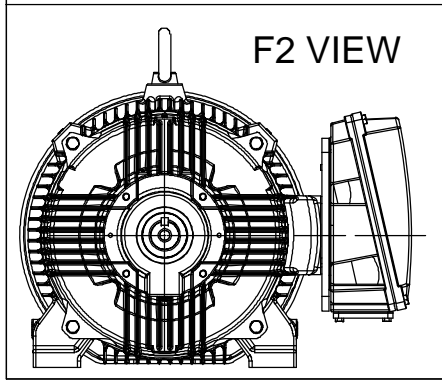
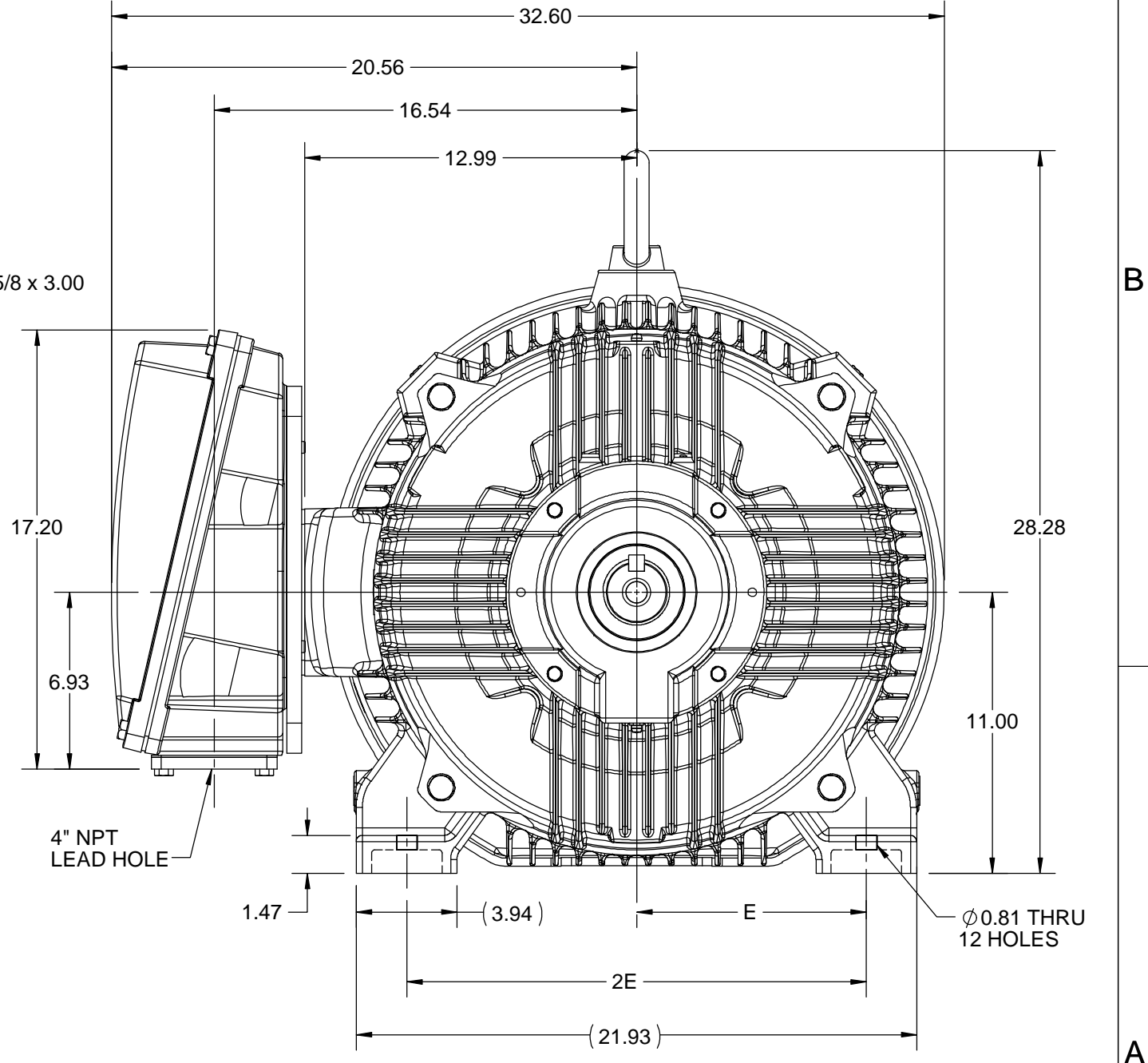
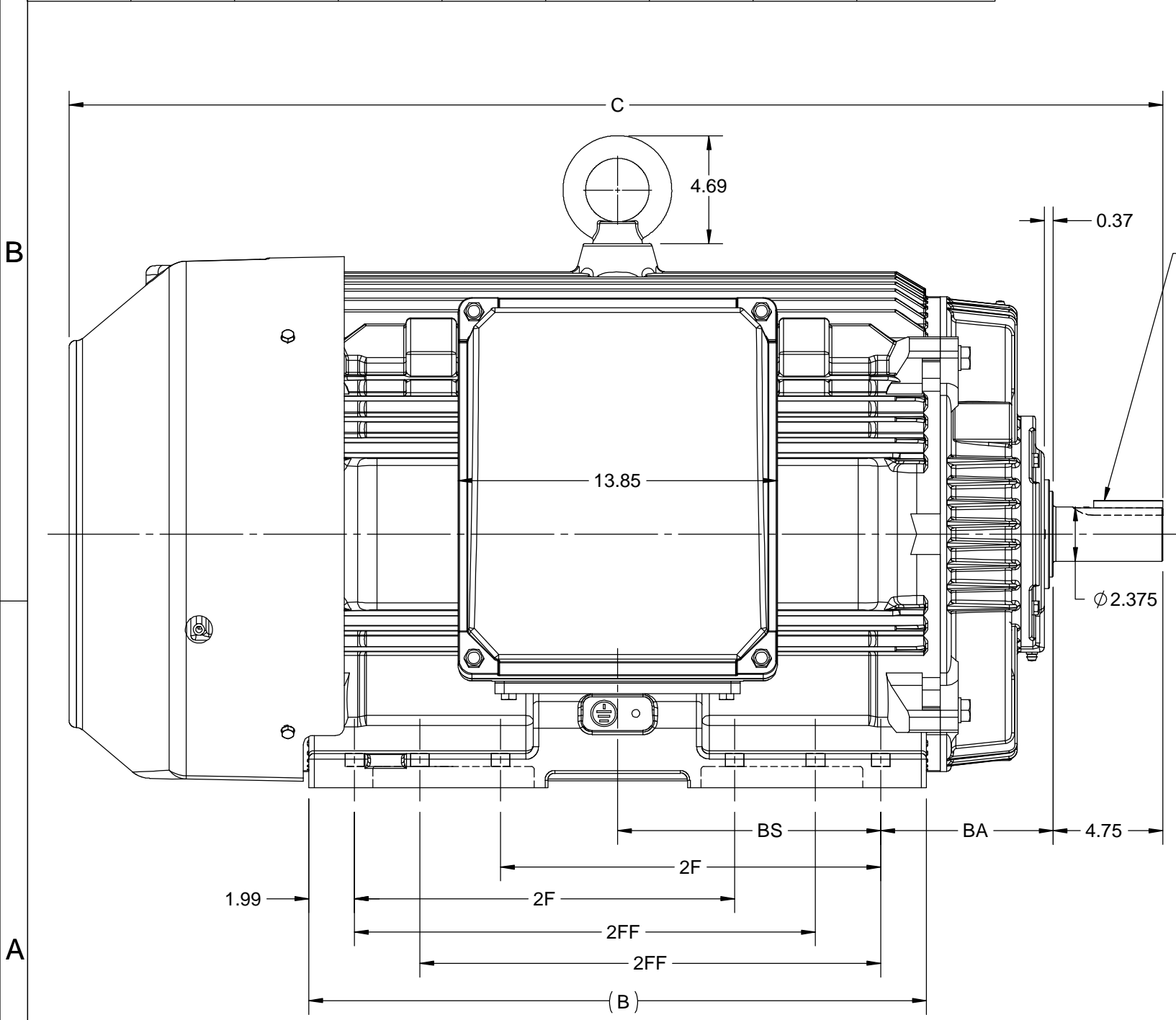
Phase	3	Output HP	200 Hp
Output KW	149.0 kW	Voltage	400 V
Speed	3580 rpm	Service Factor	1
Frame	445TS	Enclosure	Totally Enclosed Fan Cooled
Thermal Protection	No Protection	Efficiency	95.4 %
Ambient Temperature	40 °C	Frequency	60 Hz
Current	250.0 A	Power Factor	90.5
Duty	Continuous	Insulation Class	H
Design Code	B	KVA Code	H
Drive End Bearing Size	6314	Opp Drive End Bearing Size	6314
UL	Listed	CSA	Y
CE	Y	IP Code	55
Number of Speeds	1	Hazardous Location	DIVISION 2 T2B

Technical Specifications

Electrical Type	Squirrel Cage Induction Run	Starting Method	Wye Start Delta Run
Poles	2	Rotation	Selective Clockwise
Resistance Main	.16 Ohms	Mounting	Rigid Base
Motor Orientation	Horizontal	Drive End Bearing	Ball
Opp Drive End Bearing	Ball	Frame Material	Cast Iron
Shaft Type	TS	Shaft Diameter	2.375 in
Assembly/Box Mounting	F1/F2 CAPABLE		
Outline Drawing	SS557889	Connection Drawing	EE7340

This is an uncontrolled document once printed or downloaded and is subject to change without notice. Date Created:04/24/2023

4			3						2		1	
B	C	E	2E	2F	2FF	BA	BS	MOUNTING				
26.81	47.45	9.00	18.00	16.50	20.00	7.50	11.42	F1 OR F2				



DRAWING REVISION C	REVISION BY BISWA	REV DATE/© DATE 30/11/2020
ECO ECO-0195277	APPROVED BY GNK	DATE 30/11/2020
ECO DESCRIPTION DRAWING UPDATED. COPYRIGHT (PER REVISION DATE) REGAL BELOIT AMERICA, INC. ALL RIGHTS RESERVED. PROPRIETARY AND CONFIDENTIAL INFORMATION - THIS DOCUMENT IS THE PROPERTY OF REGAL BELOIT AMERICA, INC. ("OWNER") AND CONTAINS OWNER'S PROPRIETARY INFORMATION. ANY PERSON, CORPORATION OR OTHER FIRM RECEIVING IT IS DEEMED, BY RECEIVING IT, TO AGREE THAT IT, AND/OR ANY PART OF IT, SHALL NOT BE DISCLOSED TO ANY PERSON, CORPORATION OR OTHER ENTITY, DUPLICATED, AND/OR USED, EXCEPT AS EXPRESSLY APPROVED IN WRITING IN ADVANCE BY OWNER. THIS DOCUMENT SHALL BE RETURNED TO OWNER UPON REQUEST. IT MAY BE SUBJECT TO CERTAIN RESTRICTIONS UNDER APPLICABLE EXPORT CONTROL LAWS AND REGULATIONS.		

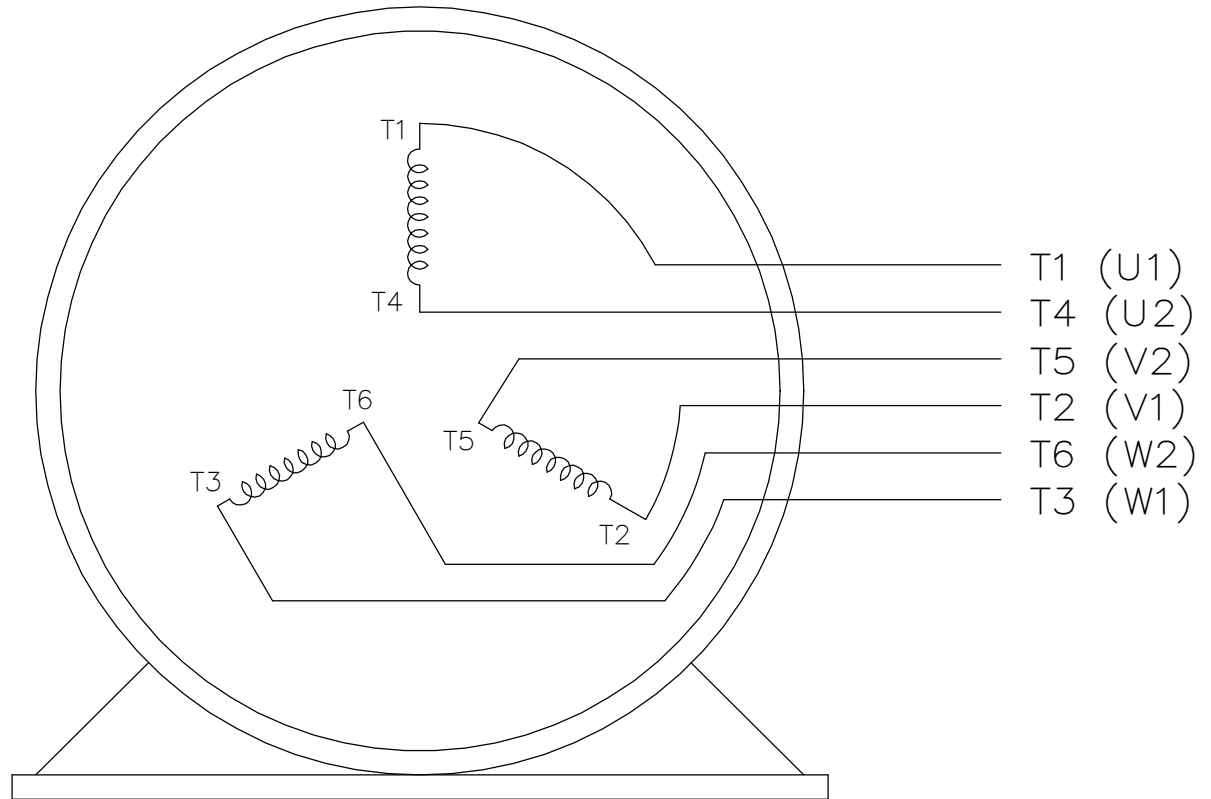
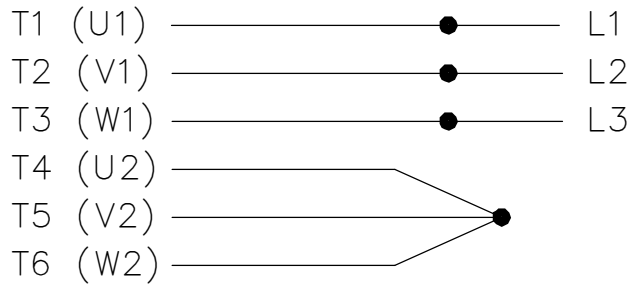
PRIMARY DIMENSIONS ARE INCH
mm DIMENSIONS IN [BRACKETS]
ARE FOR REFERENCE ONLY

DRAWN BY BISWA	Regal Beloit America, Inc.		
DATE 23/05/2019			
APPROVED BY SBD			
DATE 23/05/2019			
REFERENCE	DESCRIPTION OUTLINE 445/447TS FR NEMA-SD & IEEE841		
THIRD ANGLE PROJECTION	MATERIAL	PROCESS/FINISH	
	SIZE B	DRAWING NUMBER SS557889	SHEET 1 OF 1

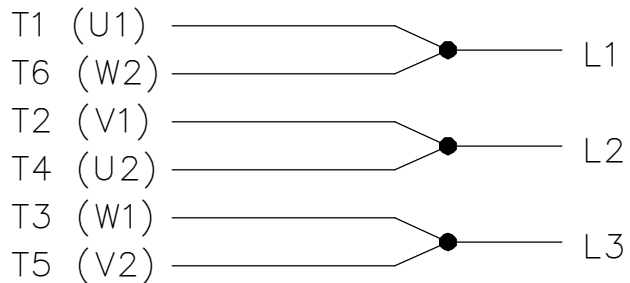
DATE 23/05/2019	DESCRIPTION OUTLINE 445/447TS FR NEMA-SD & IEEE841		
REFERENCE	MATERIAL	PROCESS/FINISH	
THIRD ANGLE PROJECTION	SIZE B	DRAWING NUMBER SS557889	SHEET 1 OF 1

THREE PHASE
WYE START DELTA RUN

START


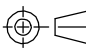


RUN



VIEW OF TERMINAL END

NOTE:
IEC LEAD MARKINGS ARE NOTED
IN PARANTHESES

DRAWING REVISION F		REVISION BY RTT	REV DATE/© DATE 05-29-2019	TOLERANCES (EXCEPT AS NOTED):		DRAWN BY LZ		 Regal Beloit America, Inc.	
ECO ECO-0167538		APPROVED BY JWA	DATE 05-29-2019	DEC. .X	INCH ±0.1	mm [±3]	ANGLE ±7° 30"		
ECO DESCRIPTION UPDATED TITLE BLOCK				REMOVE BURRS & BREAK SHARP EDGES: .003/.015 [.08/.38] X 45° CORNER FILLETS: R.02 [.5] MACHINED SURFACES: 200/ 5.1 INCH/mm		APPROVED BY GK		DESCRIPTION CONNECTION DIAGRAM 3<MOD-DIAM> - WYE START DELTA RUN	
COPYRIGHT (PER REVISION DATE) REGAL BELOIT AMERICA, INC. ALL RIGHTS RESERVED. PROPRIETARY AND CONFIDENTIAL INFORMATION - THIS DOCUMENT IS THE PROPERTY OF REGAL BELOIT AMERICA, INC. ("OWNER") AND CONTAINS OWNER'S PROPRIETARY INFORMATION. ANY PERSON, CORPORATION OR OTHER FIRM RECEIVING IT IS DEEMED, BY RECEIVING IT, TO AGREE THAT IT, AND/OR ANY PART OF IT, SHALL NOT BE DISCLOSED TO ANY PERSON, CORPORATION OR OTHER ENTITY, DUPLICATED, AND/OR USED, EXCEPT AS EXPRESSLY APPROVED IN WRITING IN ADVANCE BY OWNER. THIS DOCUMENT SHALL BE RETURNED TO OWNER UPON REQUEST. IT MAY BE SUBJECT TO CERTAIN RESTRICTIONS UNDER APPLICABLE EXPORT CONTROL LAWS AND REGULATIONS.				mm DIMENSIONS IN [BRACKETS] ARE FOR REFERENCE ONLY		DATE 01-18-1994		MATERIAL	
				THIRD ANGLE PROJECTION 		REFERENCE		PROCESS/FINISH	
								SHEET 1 OF 1	

EC Declaration of Conformity

The undersigned representing
the manufacturer:

Regal Beloit America
100 East Randolph St.
Wausau, WI 54401

and the authorized representative
established within the Community:

Marathon Electric UK
6F Thistleton Road Ind. Estate
Market Overton
Oakham, Rutland LE15 7PP UK

are committed to providing customers with products that comply with applicable regulations and international protocols to which they are subject, including the requirements of the European Parliament Directive on the Harmonization of the laws relating to electrical equipment designed for use within certain voltage limits (2014/35/EU).

Regal Beloit America declares that the following product(s), to which this declaration relates, are in conformity with the relevant sections of the EC standards listed below.

This statement supersedes any statements previously issued pertaining to the product(s) listed below and is subject to change without notice.

Model No : 445TSTFCD36501

(Model No. may contain prefix and/or suffix characters)

Catalog No : 445TSTFCD36501

Rework No : N/A

Directives :

Low Voltage Directive 2014/35/EU

Harmonized Standards Used :

EN 60034-1: 2010 (IEC 60034-1: 2010)

EN 60034-5: 2001/A1:2007 (IEC 60034-5: 2000/A1:2006)

Authorized Representative:



Michael A. Logsdon
Vice President, Technology

Authorized Representative in the Community:



Julian Clark
Marketing Engineer

Created on 04/11/2023

CE 23