

PRODUCT INFORMATION PACKET

marathon®
Motors

Model No: 445TSTDCD6001

Catalog No: GT00017

Globetrotter® General Purpose Motor, 250 & 200 HP, 3 Ph, 60 & 50 Hz, 460 & 380 V, 3600 & 3000 RPM,
445TS Frame, DP



Regal and Marathon are trademarks of Regal Rexnord Corporation or one of its affiliated companies.
©2024 Regal Rexnord Corporation, All Rights Reserved. MC017097E

RegalRexnord



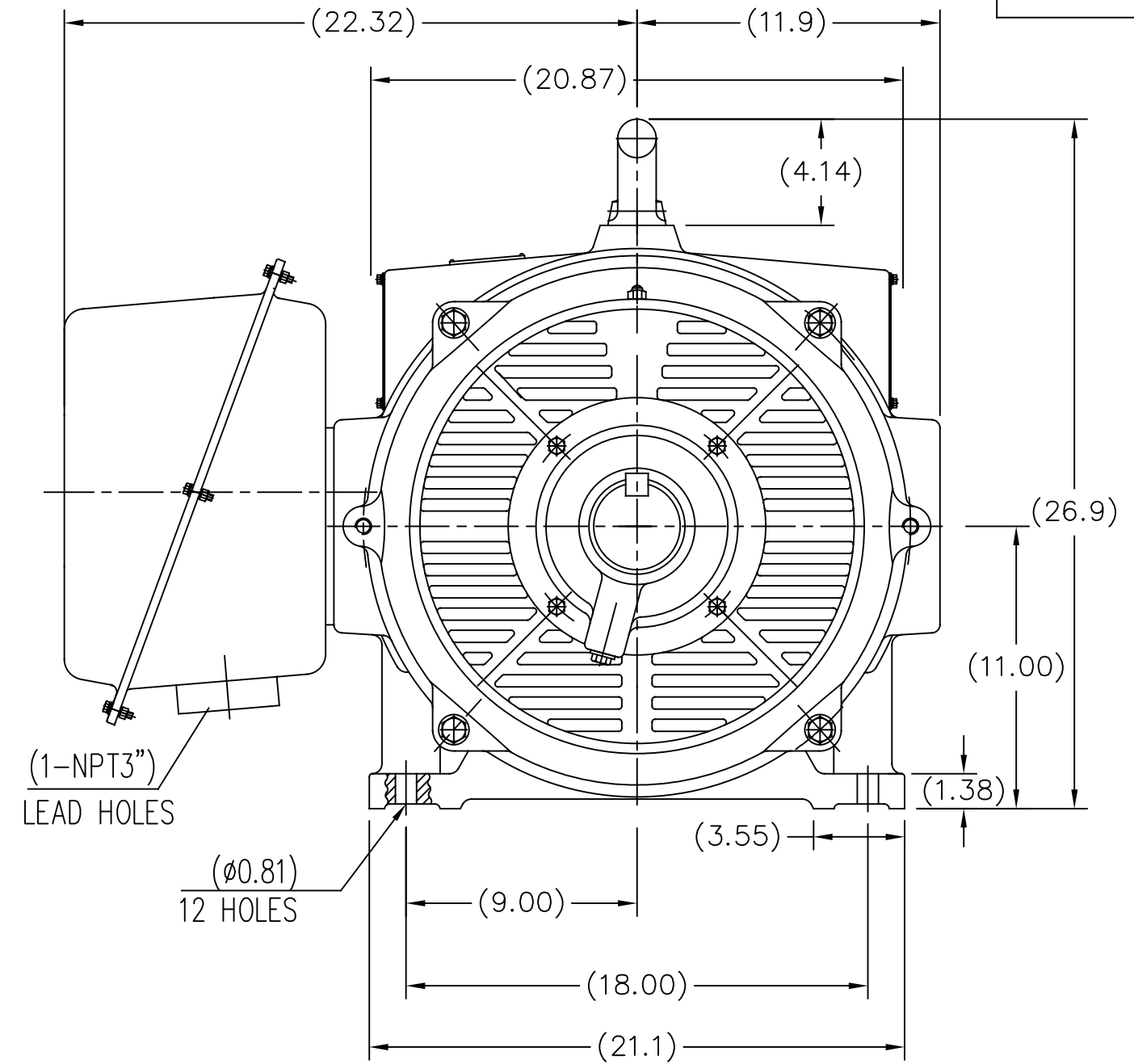
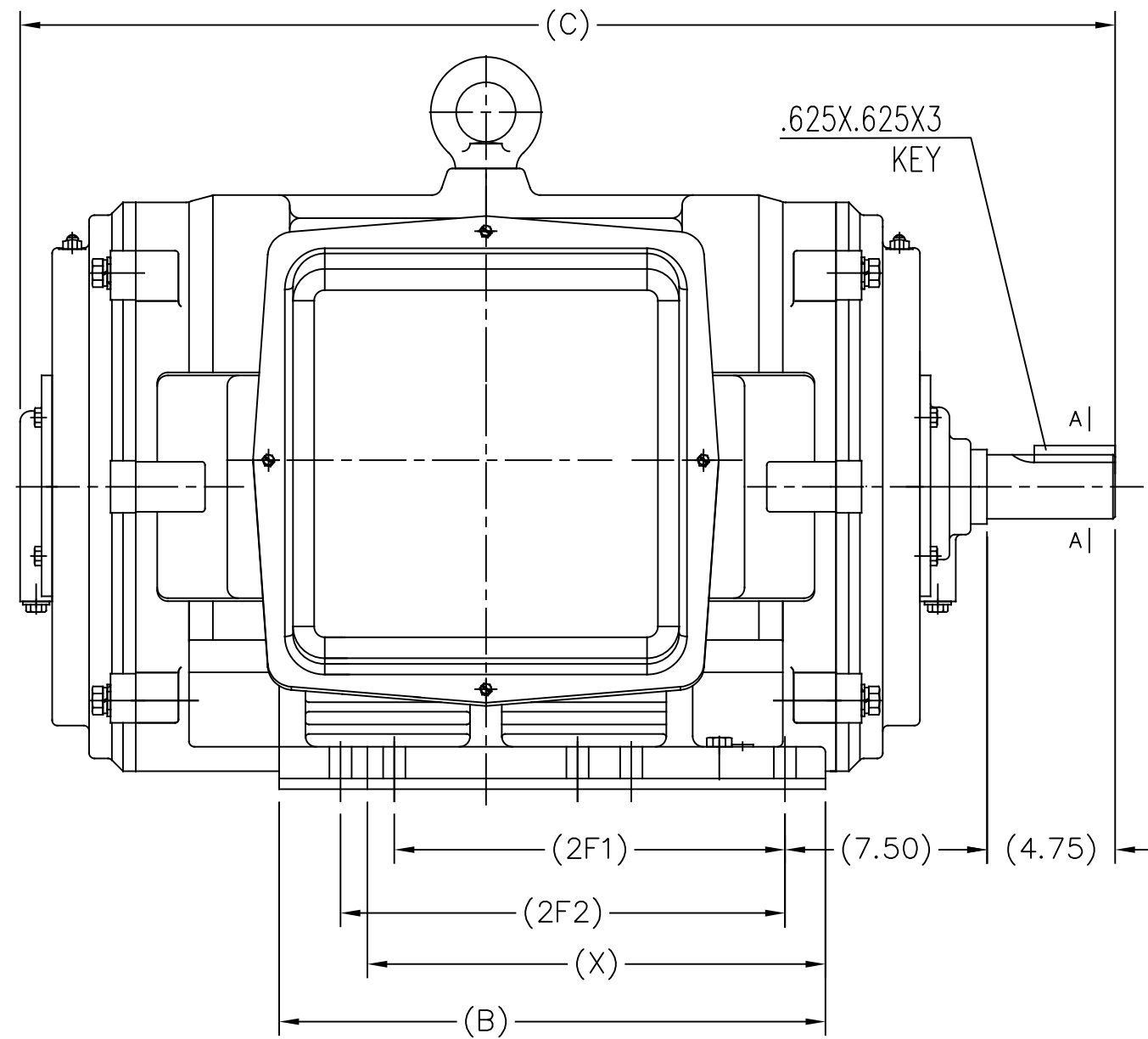
Nameplate Specifications

Phase	3	Output HP	250 & 200 Hp
Output KW	187.0 & 149.0 kW	Voltage	460 & 380 V
Speed	3577 & 2977 rpm	Service Factor	1.15 & 1.15
Frame	445TS	Enclosure	Drip Proof
Thermal Protection	No Protection	Efficiency	95 & 94.8 %
Ambient Temperature	40 °C	Frequency	60 & 50 Hz
Current	270 & 262 A	Power Factor	91
Duty	Continuous	Insulation Class	F
Design Code	B	KVA Code	G
Drive End Bearing Size	6314	Opp Drive End Bearing Size	6314
UL	Recognized	CSA	Y
CE	Y	IP Code	22
Number of Speeds	1		

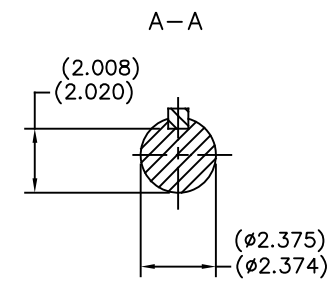
Technical Specifications

Electrical Type	Squirrel Cage Inverter Rated	Starting Method	Part Wdg Start & Wye Start Delta Run Or Inverter
Poles	2	Rotation	Reversible
Resistance Main	.019 Ohms	Mounting	Rigid Base
Motor Orientation	Horizontal	Drive End Bearing	Ball
Opp Drive End Bearing	Ball	Frame Material	Cast Iron
Shaft Type	TS	Shaft Diameter	2.375 in
Assembly/Box Mounting	F1/F2 CAPABLE	Inverter Load	VARIABLE 10:1
Outline Drawing	SS620756-100	Connection Drawing	EE7300BH

This is an uncontrolled document once printed or downloaded and is subject to change without notice. Date Created:10/18/2024



PRELIMINARY



444TS					
445TS	40.83	20.28	14.5	16.5	17.00
447TS					
449TS	45.95	25.28	20	25	22.00
Frame	C	B	2F1	2F2	X

		TOLERANCES UNLESS SPECIFIED		REGAL REGAL-BELOIT CORPORATION		DRAWN C.OHRMUNDT	
		DEC.	INCHES			CHK	
		.X	±.1	TITLE 444/445/447/449TS FR-ODP-CAST IRON		APPD	
		.XX	±.03			SCALE NONE	
		.XXX	±.005			REF	
		.XXXX	±.0005			FMF WUXI	
NO.	REVISION	BY & DATE	CHK	ANG	FINISH	PREV	
THIS DRAWING IN DESIGN AND DETAIL IS OUR PROPERTY AND MUST NOT BE USED EXCEPT IN CONNECTION WITH OUR WORK ALL RIGHTS OF DESIGN AND INVENTION ARE RESERVED THIS IS AN ELECTRONICALLY GENERATED DOCUMENT - DO NOT SCALE THIS PRINT				RFP	CAD FILE SS620756-SKT	SIZE B	DRAWING NO. PAGE 1 OF 1 REV. SS620756-SKT
				DIST			



VIEW OF TERMINAL END

				TOLERANCES UNLESS SPECIFIED		REGAL REGAL - BELOIT CORPORATION	DRAWN RJW 02-11-2005				
				DEC.	INCHES		CHK	ML	02-11-2005		
				.X	±.1		APPD	GK	02-11-2005		
				.XX	±.02	TITLE CONNECTION DIAGRAM		SCALE			
D	CHANGED TO REGAL TITLE BLOCK	ECO-0108299	WGJ 08/22/2016	EMH	.XXX ±.005	12 LEAD- SINGLE VOLTAGE		REF			
1	ADDED IEC TERMINAL MARKINGS	CN 41429	JJB 05/24/2007	ML	.XXXX ±.0005	MAT'L.		FMF			
NO.	REVISION	BY & DATE	CHK	ANG	±7'30"	FINISH		PREV			
THIS DRAWING IN DESIGN AND DETAIL IS OUR PROPERTY AND MUST NOT BE USED EXCEPT IN CONNECTION WITH OUR WORK ALL RIGHTS OF DESIGN AND INVENTION ARE RESERVED THIS IS AN ELECTRONICALLY GENERATED DOCUMENT - DO NOT SCALE THIS PRINT						RFP 02-11-2005	CAD FILE ee7300bh	SIZE A	DRAWING NO. EE7300BH	PAGE OF	REV. C
						DIST LB					

EC Declaration of Conformity

The undersigned representing
the manufacturer:

Regal Beloit America
100 East Randolph St.
Wausau, WI 54401

and the authorized representative
established within the Community:

Marathon Electric UK
6F Thistleton Road Ind. Estate
Market Overton
Oakham, Rutland LE15 7PP UK

are committed to providing customers with products that comply with applicable regulations and international protocols to which they are subject, including the requirements of the European Parliament Directive on the Harmonization of the laws relating to electrical equipment designed for use within certain voltage limits (2014/35/EU).

Regal Beloit America declares that the following product(s), to which this declaration relates, are in conformity with the relevant sections of the EC standards listed below.

This statement supersedes any statements previously issued pertaining to the product(s) listed below and is subject to change without notice.

Model No : 445TSTDCD6001

(Model No. may contain prefix and/or suffix characters)

Catalog No : GT00017

Rework No : N/A

Directives :

Low Voltage Directive 2014/35/EU

Harmonized Standards Used :

EN 60034-1: 2010 (IEC 60034-1: 2010)

EN 60034-5: 2001/A1:2007 (IEC 60034-5: 2000/A1:2006)

Authorized Representative:



Michael A. Logsdon
Vice President, Technology

Authorized Representative in the Community:



Julian Clark
Marketing Engineer

Created on 09/01/2022

CE 22