

PRODUCT INFORMATION PACKET

Model No: 445TSTDCD4032

Catalog No: U1037

Fire Pump 200 HP, 3 Phase DP Motors, 1800 RPM, 60HZ 400 V, 445TS Frame, Rigid Base,
For use on pumps designed for fire pump duty and installed per NFPA-20
Fire Pump Motors



Nameplate Specifications

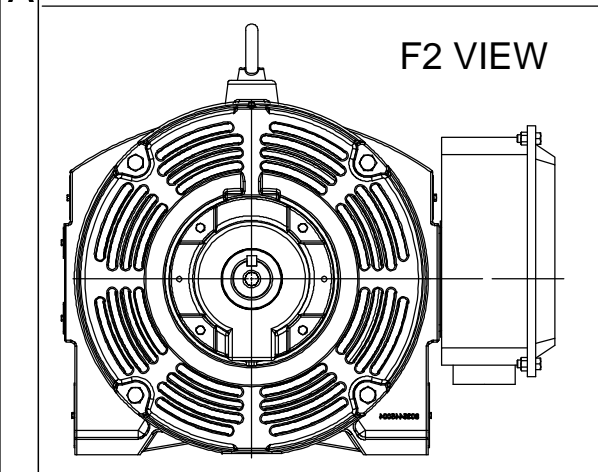
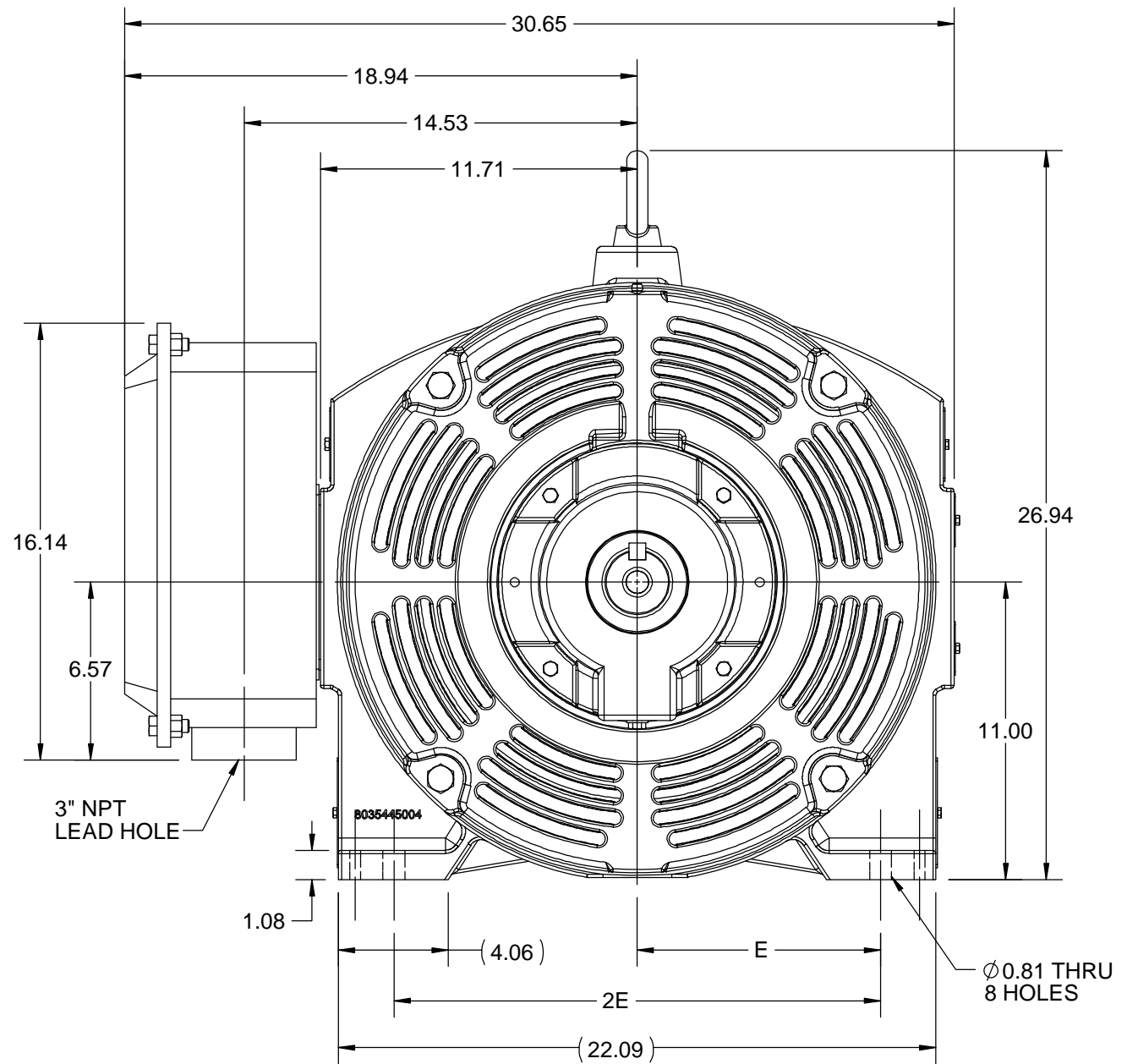
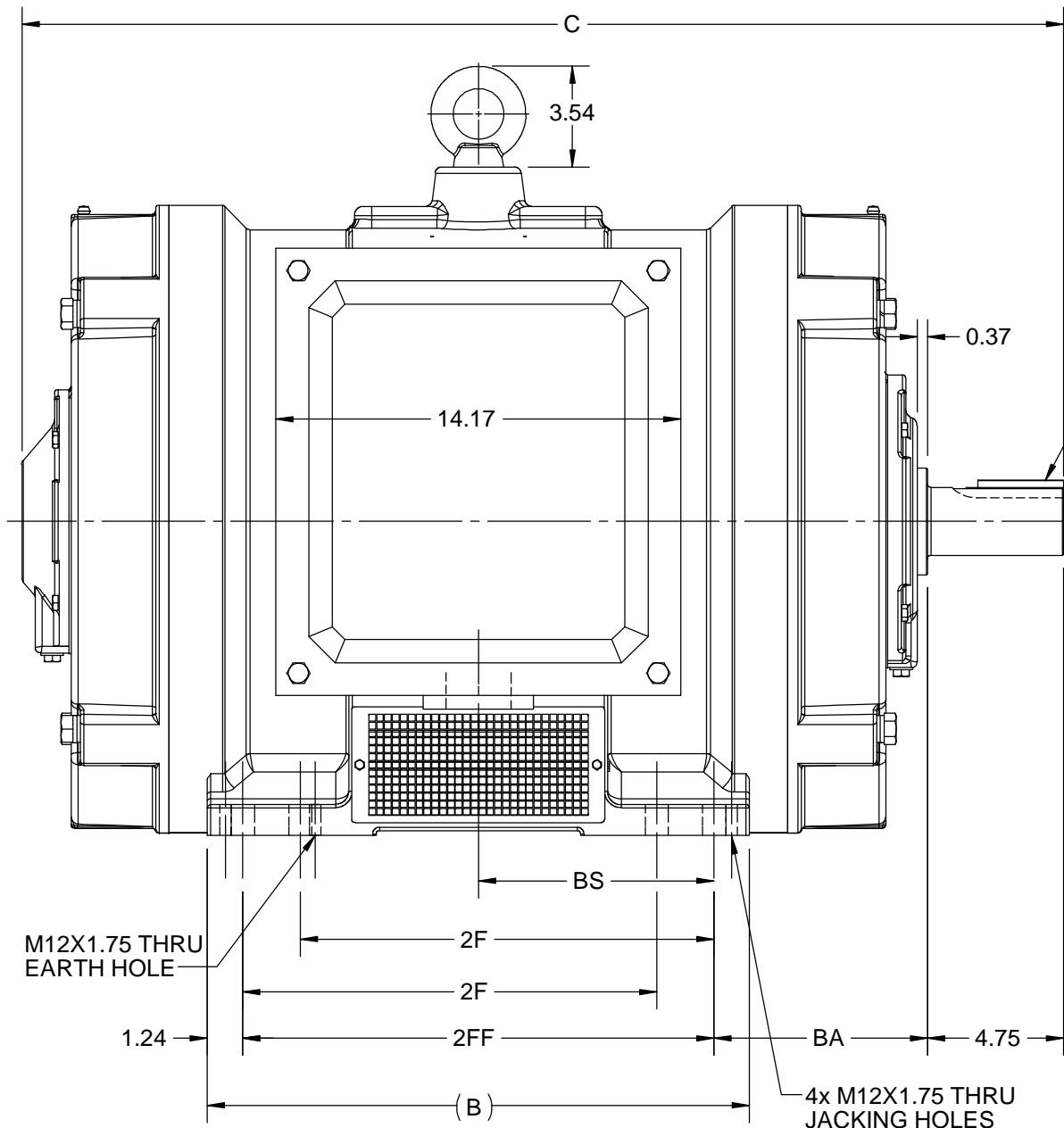
Output HP	200 Hp	Output KW	149.0 kW
Frequency	60 Hz	Voltage	400 V
Current	257.0 A	Speed	1789 rpm
Service Factor	1.15	Phase	3
Efficiency	95 %	Power Factor	87.9
Duty	Continuous	Insulation Class	F
Design Code	B	KVA Code	G
Frame	445TS	Enclosure	Drip Proof
Thermal Protection	No	Ambient Temperature	50 °C
Drive End Bearing Size	6319	Opp Drive End Bearing Size	6317
UL	Listed	CSA	Y
CE	Y	IP Code	23
Number of Speeds	1		

Technical Specifications

Electrical Type	Squirrel Cage Induction Run	Starting Method	Part Wdg Start & Wye Start Delta Run
Poles	4	Rotation	Reversible
Resistance Main	.0297 Ohms	Mounting	Rigid Base
Motor Orientation	Horizontal	Drive End Bearing	Ball
Opp Drive End Bearing	Ball	Frame Material	Cast Iron
Shaft Type	TS	Shaft Diameter	2.375 in
Assembly/Box Mounting	F1/F2 CAPABLE		
Connection Drawing	EE7300BH	Outline Drawing	SS620991

This is an uncontrolled document once printed or downloaded and is subject to change without notice. Date Created:01/27/2022

	4				3				2	1
B	C	E	2E	2F	2FF	BA	BS	MOUNTING		
18.98	36.47	9.00	18.00	14.50	16.50	7.50	8.25	F1 OR F2		



DRAWING REVISION B	REVISION BY BISWA	DATE 30/11/2020
ECO ECO-0195277	APPROVED BY SBD	DATE 30/11/2020
ECO DESCRIPTION		
DRAWING UPDATED		
<small>COPYRIGHT REGAL BELOIT AMERICA, INC. ALL RIGHTS RESERVED. PROPRIETARY AND CONFIDENTIAL INFORMATION - THIS DOCUMENT IS THE PROPERTY OF REGAL BELOIT AMERICA, INC. ("OWNER") AND CONTAINS OWNER'S PROPRIETARY INFORMATION. ANY PERSON, CORPORATION OR OTHER FIRM RECEIVING IT IS DEEMED, BY RECEIVING IT, TO AGREE THAT IT, AND/OR ANY PART OF IT, SHALL NOT BE DISCLOSED TO ANY PERSON, CORPORATION OR OTHER ENTITY, DUPLICATED, AND/OR USED, EXCEPT AS EXPRESSLY APPROVED IN WRITING IN ADVANCE BY OWNER. THIS DOCUMENT SHALL BE RETURNED TO OWNER UPON REQUEST. IT MAY BE SUBJECT TO CERTAIN RESTRICTIONS UNDER APPLICABLE EXPORT CONTROL LAWS AND REGULATIONS.</small>		

DRAWN BY VS	REGAL ™ Regal Beloit America, Inc.
DATE 11/01/2019	
APPROVED BY SBD	DESCRIPTION OUTLINE 444/445 FR TS-NEMA-ODP
DATE 11/01/2019	MATERIAL
REFERENCE	PROCESS/FINISH
THIRD ANGLE PROJECTION	SIZE B
	DRAWING NUMBER SS620991
	SHEET 1 OF 1



VIEW OF TERMINAL END

				TOLERANCES UNLESS SPECIFIED		REGAL REGAL - BELOIT CORPORATION	DRAWN RJW 02-11-2005			
				DEC.	INCHES		CHK	ML	02-11-2005	
				.X	±.1		APPD	GK	02-11-2005	
				.XX	±.02	TITLE CONNECTION DIAGRAM	SCALE			
D	CHANGED TO REGAL TITLE BLOCK	ECO-0108299	WGJ 08/22/2016	EMH	.XXX ±.005	12 LEAD- SINGLE VOLTAGE	REF			
1	ADDED IEC TERMINAL MARKINGS	CN 41429	JJB 05/24/2007	ML	.XXXX ±.0005	MAT'L.	FMF			
NO.	REVISION	BY & DATE	CHK	ANG	±7'30"	FINISH	PREV			
THIS DRAWING IN DESIGN AND DETAIL IS OUR PROPERTY AND MUST NOT BE USED EXCEPT IN CONNECTION WITH OUR WORK ALL RIGHTS OF DESIGN AND INVENTION ARE RESERVED THIS IS AN ELECTRONICALLY GENERATED DOCUMENT - DO NOT SCALE THIS PRINT				RFP	02-11-2005	CAD FILE ee7300bh	SIZE	DRAWING NO.	PAGE OF	REV.
				DIST	LB		A	EE7300BH		C



P.O. BOX 8003
 WAUSAU, WI 54401-8003
 PH. 715-675-3311

DATA VOLTS: 400

CERTIFICATION DATA SHEET

CUSTOMER:
 ORDER #:
 CONN. DIAGRAM: EE7300BH
 OUTLINE: SS620991
 WINDING: HA22804104 NONE 4
 SPEED: _____

CUSTOMER P.O. #:
 REFERENCE MODEL #: 445TSTDCC4032
 CAT #: U1037
 CUSTOMER PART #:
 MOUNTING: F1/F2 CAPABLE

TYPICAL MOTOR PERFORMANCE DATA

HP	KW	SYNC RPM	FL RPM	FRAME	ENCLOSURE	TYPE	KVA CODE	DESIGN
200	149	1800	1789	445TS	DP	TDC	G	B

PH	HZ	VOLTS	AMPS	START TYPE	DUTY	INSL	S.F.	AMB	ELEV.
3	60	400	257	PWS & YDRUN	CONT	F	1.15	50	3300

F.L. EFF	3/4 LD EFF	1/2 LD EFF	GTD EFF	ELECT. TYPE
95.0	95.6	95.2	94.5	SQ CAGE IND RUN
F.L. PF 87.9	3/4 LD PF 86.3	1/2 LD PF 80.8		

F.L. TORQUE	LR AMPS @ 460 V	L.R. TORQUE	B.D. TORQUE	F.L. RISE (°C)
587 LB-FT	1,633	1,400 LB-FT	239%	1,243 LB-FT 212%
				70

SOUND PRESSURE @ 3 FT.	SOUND	POWER	ROTOR WK ²	MAX. LOAD WK ²	SAFE STALL TIME	STARTS/HOUR	APROX.	MOTOR WGT
86 dBA	95 dBA		66.26 LB-FT ²	295 LB-FT ²	25 SEC.	2	1428	LB.

***** SUPPLEMENTAL INFORMATION *****

DE BRACKET TYPE	ODE BRACKET TYPE	MOUNT TYPE	MOTOR ORIENTATION	SEVERE DUTY	HAZARDOUS LOCATION	DRIP COVER	SCREENS	PAINT
STANDARD	STANDARD	RIGID	HORIZONTAL	NO	NONE	YES	RODENT	RED (ENAMEL)

DE	ODE	GREASE	SHAFT TYPE	SPECIAL DE	SPECIAL ODE	SHAFT MATERIAL	FRAME MATERIAL
BALL	BALL	POLYREX EM	TS	NONE	NONE	1045 HOT ROLLED (C-204)	CAST IRON
6319	6317						

THERMOSTATS	PROTECTORS	WDG RTD's	BRG RTD's	THERMISTORS	CONTROL	SPACE HEATERS
NONE	NOT	NONE	NONE	NONE	FALSE	NA

R1 (ohms/ph)	R2 (ohms/ph)	X1 (ohms/ph)	X2 (ohms/ph)	Xm (ohms/ph)	VIBRATION (in/sec)	FLOAT
0.010586011	0.004536862	0.052173913	0.11342155	2.489224953	0.150	ODE

* N O T E S *	INVERTER TORQUE: NONE	
	INV. HP SPEED RANGE: NONE	
	ENCODER: NONE	
	NONE PPR	

PREPARED BY: _____	BRAKE: NONE
DATE: 11/17/2021	NONE NONE
	FT-LB: NA
	VOLTAGE: NONE HZ:
FORM: 3531 REV. 4 2/27/06	UL: NO LETTER - ALL BRANDS-UL LISTED FIRE PUMP MOTORS

Data Sheet

Date: 11/17/2021
 Customer: _____
 Attention: _____
 Submitted by: _____



445TSTD4032

Submittal

Data @ 400 V

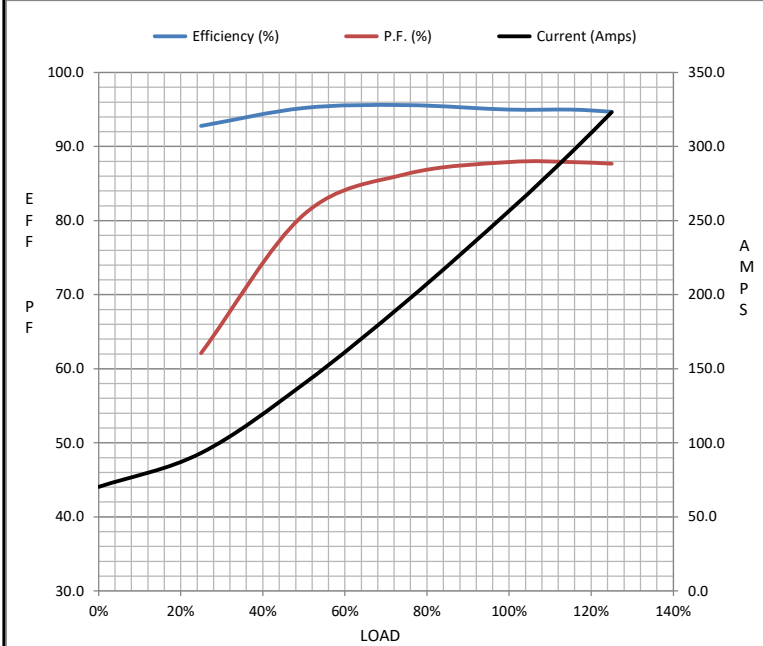
Motor Load Data

Load	0%	25%	50%	75%	100%	115%	125%	LR
Current (Amps)	70.2	93.2	140	196	256	296	323	1,633
Torque (ft-lb)	0.00	146	292	440	587	676	735	1,400
RPM	1800	1797	1795	1792	1789	1,787	1785	0
Efficiency (%)		92.8	95.2	95.6	95.0	95.0	94.7	
P.F. (%)	5.4	62.1	80.8	86.3	87.9	87.9	87.7	42.0

Motor Speed Data

	LR	Pull-Up	BD	Rated	Idle
Speed (RPM)	0	900	1746	1789	1800
Current (Amps)	1,633	1,311	828	256	70.2
Torque (ft-lb)	1,400	1,190	1,243	587	0.00

Information Block				
HP	200.0			
Sync. RPM	1800			
Frame	445			
Enclosure	DP			
Construction	TDC			
Voltage	400 V			
Frequency	60 Hz			
Design	B			
LR Code letter	G			
Service Factor	1.15			
Temp Rise @ FL	70 ° C			
Duty	CONT			
Ambient	40 ° C			
Elevation	3,300 feet			
Rotor/Shaft wk ²	66.26 Lb-F ²			
Ref Wdg	HA22804104 NONE			
Sound Pressure @ 1M	86 dBA			
VFD Rating	NONE			
Outline Dwg	SS620991			
Conn. Diag	EE7300BH			
Additional Specifications:				
0				
0				
EQUIV CKT (OHMS / PHASE)				
R1	R2	X1	X2	Xm
0.0140	0.0060	0.0690	0.1500	3.2920



Speed - Torque Curve

