

PRODUCT INFORMATION PACKET

Model No: 445TSTDCD4003

Catalog No: U1039

Fire Pump 250 HP, 3 Phase DP Motors, 3600 RPM, 60HZ 400 V, 445TS Frame, Rigid Base,
For use on pumps designed for fire pump duty and installed per NFPA-20
Fire Pump Motors



Nameplate Specifications

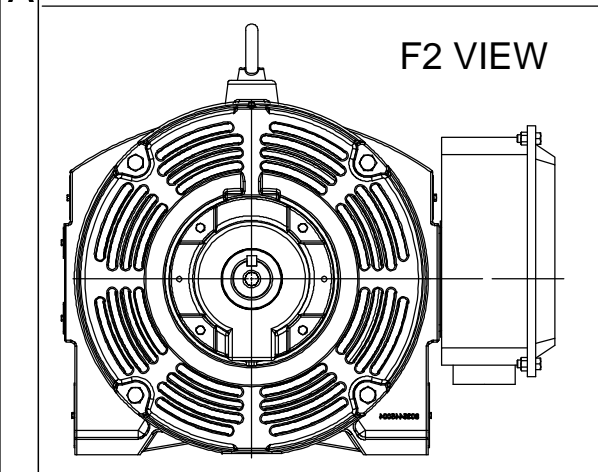
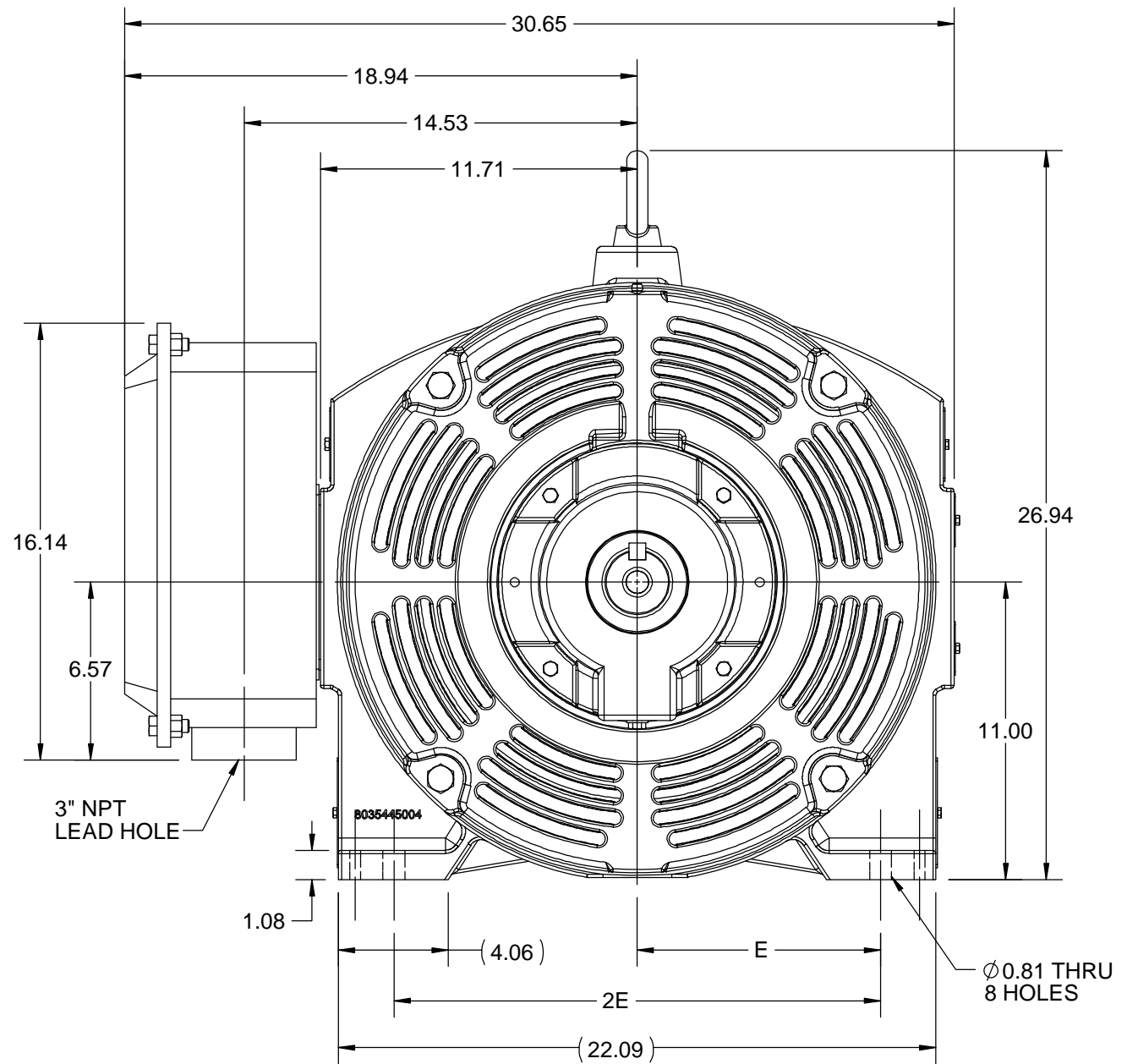
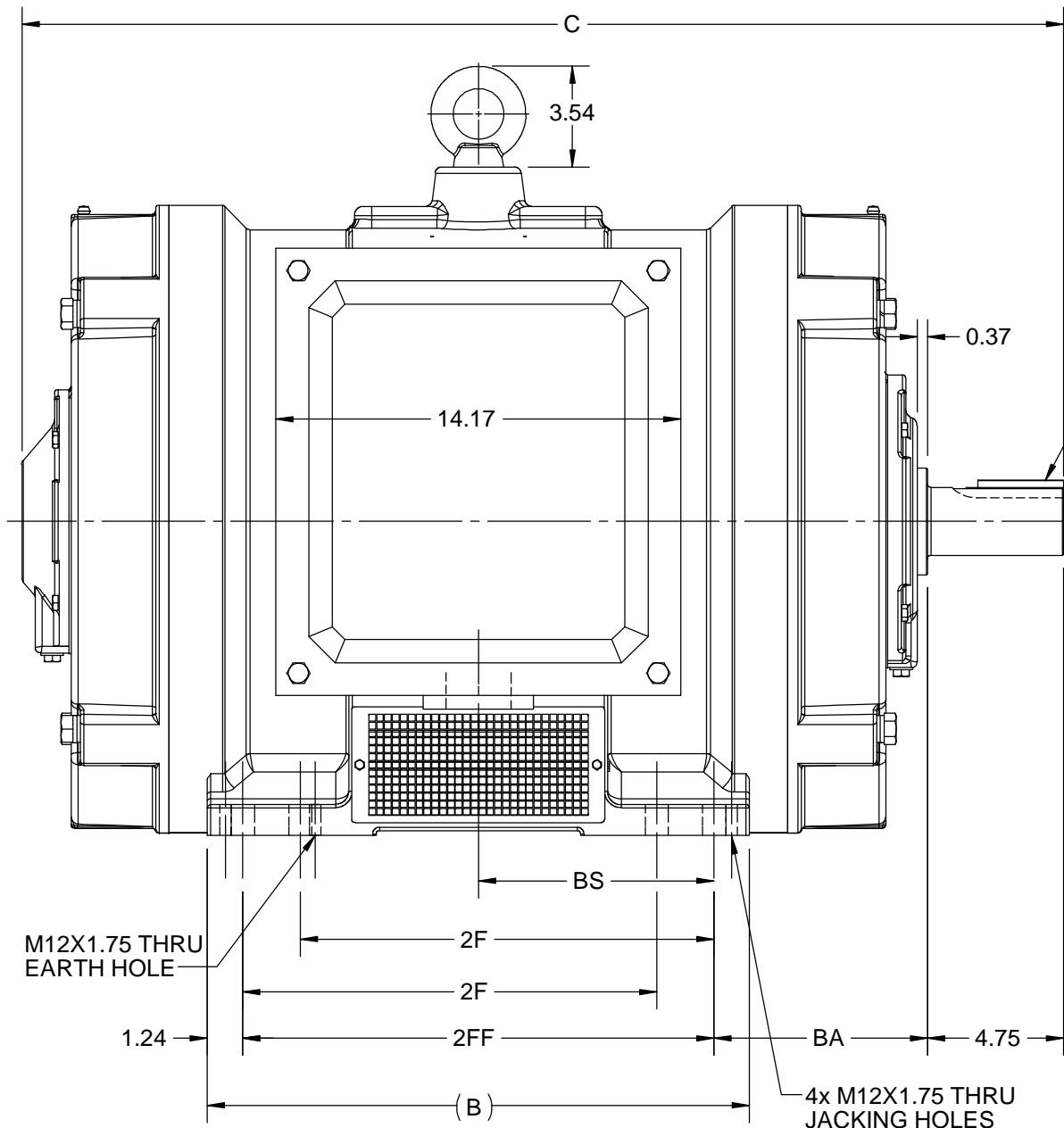
Output HP	250 Hp	Output KW	187.0 kW
Frequency	60 Hz	Voltage	400 V
Current	312.0 A	Speed	3575 rpm
Service Factor	1.15	Phase	3
Efficiency	94.5 %	Power Factor	91
Duty	Continuous	Insulation Class	F
Design Code	B	KVA Code	G
Frame	445TS	Enclosure	Drip Proof
Thermal Protection	No	Ambient Temperature	50 °C
Drive End Bearing Size	6314	Opp Drive End Bearing Size	6314
UL	Listed	CSA	Y
CE	Y	IP Code	23
Number of Speeds	1		

Technical Specifications

Electrical Type	Squirrel Cage Induction Run	Starting Method	Part Wdg Start & Wye Start Delta Run
Poles	2	Rotation	Reversible
Resistance Main	.0306 Ohms	Mounting	Rigid Base
Motor Orientation	Horizontal	Drive End Bearing	Ball
Opp Drive End Bearing	Ball	Frame Material	Cast Iron
Shaft Type	TS	Shaft Diameter	2.375 in
Assembly/Box Mounting	F1/F2 CAPABLE		
Connection Drawing	EE7300BH	Outline Drawing	SS620991

This is an uncontrolled document once printed or downloaded and is subject to change without notice. Date Created:01/27/2022

	4				3				2	1
B	C	E	2E	2F	2FF	BA	BS	MOUNTING		
18.98	36.47	9.00	18.00	14.50	16.50	7.50	8.25	F1 OR F2		



DRAWING REVISION B	REVISION BY BISWA	DATE 30/11/2020
ECO ECO-0195277	APPROVED BY SBD	DATE 30/11/2020
ECO DESCRIPTION		
DRAWING UPDATED		
<small>COPYRIGHT REGAL BELOIT AMERICA, INC. ALL RIGHTS RESERVED. PROPRIETARY AND CONFIDENTIAL INFORMATION - THIS DOCUMENT IS THE PROPERTY OF REGAL BELOIT AMERICA, INC. ("OWNER") AND CONTAINS OWNER'S PROPRIETARY INFORMATION. ANY PERSON, CORPORATION OR OTHER FIRM RECEIVING IT IS DEEMED, BY RECEIVING IT, TO AGREE THAT IT, AND/OR ANY PART OF IT, SHALL NOT BE DISCLOSED TO ANY PERSON, CORPORATION OR OTHER ENTITY, DUPLICATED, AND/OR USED, EXCEPT AS EXPRESSLY APPROVED IN WRITING IN ADVANCE BY OWNER. THIS DOCUMENT SHALL BE RETURNED TO OWNER UPON REQUEST. IT MAY BE SUBJECT TO CERTAIN RESTRICTIONS UNDER APPLICABLE EXPORT CONTROL LAWS AND REGULATIONS.</small>		

DRAWN BY VS	REGAL ™ Regal Beloit America, Inc.
DATE 11/01/2019	
APPROVED BY SBD	DESCRIPTION OUTLINE 444/445 FR TS-NEMA-ODP
DATE 11/01/2019	MATERIAL
REFERENCE	PROCESS/FINISH
THIRD ANGLE PROJECTION	SIZE B
	DRAWING NUMBER SS620991
	SHEET 1 OF 1



VIEW OF TERMINAL END

				TOLERANCES UNLESS SPECIFIED		REGAL REGAL-BELOIT CORPORATION	DRAWN RJW 02-11-2005			
				DEC.	INCHES		CHK	ML	02-11-2005	
				.X	±.1		APPD	GK	02-11-2005	
				.XX	±.02	TITLE CONNECTION DIAGRAM		SCALE		
D	CHANGED TO REGAL TITLE BLOCK	ECO-0108299	WGJ 08/22/2016	EMH	.XXX ±.005	12 LEAD- SINGLE VOLTAGE		REF		
1	ADDED IEC TERMINAL MARKINGS	CN 41429	JJB 05/24/2007	ML	.XXXX ±.0005	MAT'L.		FMF		
NO.	REVISION	BY & DATE	CHK	ANG	±7'30"	FINISH		PREV		
THIS DRAWING IN DESIGN AND DETAIL IS OUR PROPERTY AND MUST NOT BE USED EXCEPT IN CONNECTION WITH OUR WORK ALL RIGHTS OF DESIGN AND INVENTION ARE RESERVED THIS IS AN ELECTRONICALLY GENERATED DOCUMENT - DO NOT SCALE THIS PRINT				RFP	02-11-2005	CAD FILE ee7300bh	SIZE	DRAWING NO.	PAGE OF	REV.
				DIST	LB		A	EE7300BH		C



P.O. BOX 8003
WAUSAU, WI 54401-8003
PH. 715-675-3311

DATA VOLTS: 400

CERTIFICATION DATA SHEET

CUSTOMER:
ORDER #:
CONN. DIAGRAM: EE7300BH
OUTLINE: SS620991
WINDING: HA22802104 NONE 4
SPEED: _____

CUSTOMER P.O. #:
REFERENCE MODEL #: 445TSTDCC4003
CAT #: U1039
CUSTOMER PART #:
MOUNTING: F1/F2 CAPABLE

TYPICAL MOTOR PERFORMANCE DATA

HP	KW	SYNC RPM	FL RPM	FRAME	ENCLOSURE	TYPE	KVA CODE	DESIGN
250	187	3600	3575	445TS	DP	TDC	G	B

PH	HZ	VOLTS	AMPS	START TYPE	DUTY	INSL	S.F.	AMB	ELEV.
3	60	400	312	PWS & YDRUN	CONT	F	1.15	50	3300

F.L. EFF	94.5	3/4 LD EFF	95.0	1/2 LD EFF	94.9	GTD EFF	ELECT. TYPE
F.L. PF	91.0	3/4 LD PF	89.9	1/2 LD PF	85.4	94.1	SQ CAGE IND RUN

F.L. TORQUE	LR AMPS @ 460 V	L.R. TORQUE	B.D. TORQUE	F.L. RISE (°C)
367 LB-FT	1,955	539 LB-FT	147%	831 LB-FT 226%

SOUND PRESSURE @ 3 FT.	SOUND	POWER	ROTOR WK ²	MAX. LOAD WK ²	SAFE STALL TIME	STARTS/HOUR	APROX.	MOTOR WGT
86 dBA	95 dBA		30.34 LB-FT ²	90 LB-FT ²	16 SEC.	2	1425	LB.

***** SUPPLEMENTAL INFORMATION *****

DE BRACKET TYPE	ODE BRACKET TYPE	MOUNT TYPE	MOTOR ORIENTATION	SEVERE DUTY	HAZARDOUS LOCATION	DRIP COVER	SCREENS	PAINT
STANDARD	STANDARD	RIGID	HORIZONTAL	NO	NONE	YES	RODENT	RED (ENAMEL)

DE	ODE	GREASE	SHAFT TYPE	SPECIAL DE	SPECIAL ODE	SHAFT MATERIAL	FRAME MATERIAL
BALL	BALL	POLYREX EM	TS	NONE	NONE	1045 HOT ROLLED (C-204)	CAST IRON
6314	6314						

THERMOSTATS	PROTECTORS	WDG RTD's	BRG RTD's	THERMISTORS	CONTROL	SPACE HEATERS
NONE	NOT	NONE	NONE	NONE	FALSE	NA

R1 (ohms/ph)	R2 (ohms/ph)	X1 (ohms/ph)	X2 (ohms/ph)	Xm (ohms/ph)	VIBRATION (in/sec)	FLOAT
0.010586011	0.003780718	0.0536862	0.065028355	2.347069943	0.150	ODE

* N O T E S *	INVERTER TORQUE: NONE					
	INV. HP SPEED RANGE: NONE					
	ENCODER: NONE					
	NONE PPR					

PREPARED BY:					
DATE:	11/17/2021				
	BRAKE: NONE				
	NONE NONE				
	FT-LB: NA				
	VOLTAGE: NONE				
	HZ:				

FORM: 3531 REV. 4 2/27/06

UL: NO LETTER - ALL BRANDS-UL LISTED FIRE PUMP MOTORS

Data Sheet

Date: 11/17/2021
 Customer: _____
 Attention: _____
 Submitted by: _____



445TSTDCD4003

Submittal

Data @ 400 V

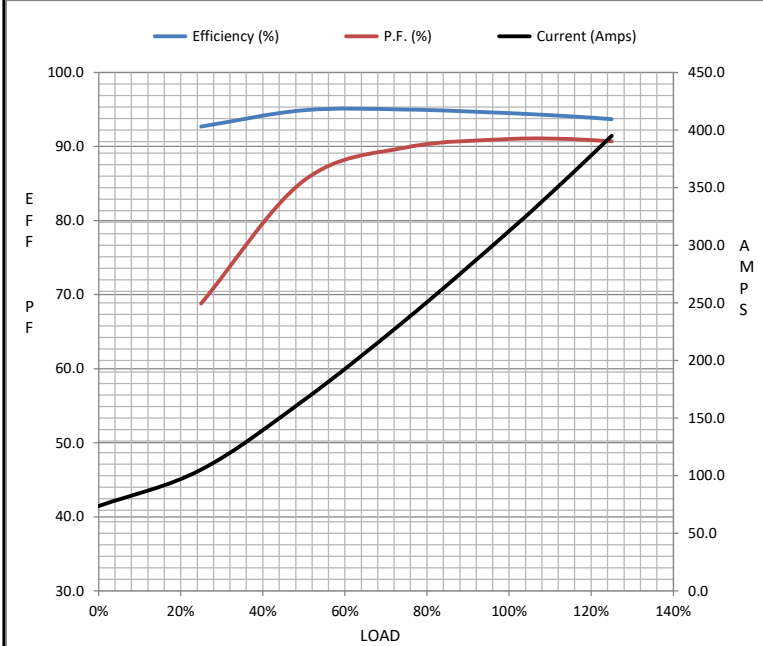
Motor Load Data

Load	0%	25%	50%	75%	100%	115%	125%	LR
Current (Amps)	73.6	105	166	236	312	361	395	1,955
Torque (ft-lb)	0.00	91.3	183	275	367	423	460	539
RPM	3600	3594	3588	3582	3575	3,571	3567	0
Efficiency (%)		92.7	94.9	95.0	94.5	94.1	93.7	
P.F. (%)	6.3	68.8	85.4	89.9	91.0	91.0	90.7	33.0

Motor Speed Data

	LR	Pull-Up	BD	Rated	Idle
Speed (RPM)	0	1800	3466	3575	3600
Current (Amps)	1,955	1,553	1,081	312	73.6
Torque (ft-lb)	539	470	831	367	0.00

Information Block				
HP	250.0			
Sync. RPM	3600			
Frame	445			
Enclosure	DP			
Construction	TDC			
Voltage	400 V			
Frequency	60 Hz			
Design	B			
LR Code letter	G			
Service Factor	1.15			
Temp Rise @ FL	75 ° C			
Duty	CONT			
Ambient	40 ° C			
Elevation	3,300 feet			
Rotor/Shaft wk ²	30.34 Lb-F ²			
Ref Wdg	HA22802104 NONE			
Sound Pressure @ 1M	86 dBA			
VFD Rating	NONE			
Outline Dwg	SS620991			
Conn. Diag	EE7300BH			
Additional Specifications:				
0				
0				
EQUIV CKT (OHMS / PHASE)				
R1	R2	X1	X2	Xm
0.0140	0.0050	0.0710	0.0860	3.1040



Speed - Torque Curve

