

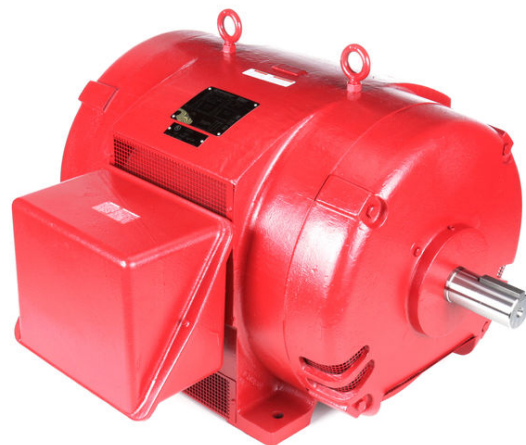
PRODUCT INFORMATION PACKET

Model No: 445TSTD14047

Catalog No: U1537A

200 HP Fire Pump Motor, 3 phase, 1800 RPM, 380-400 V, 445TS Frame, ODP

Fire Pump Motors



Regal and Marathon are trademarks of Regal Rexnord Corporation or one of its affiliated companies.
©2022 Regal Rexnord Corporation, All Rights Reserved. MC017097E

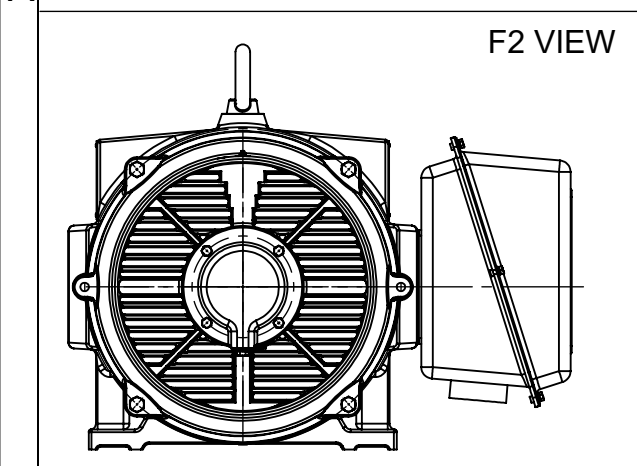
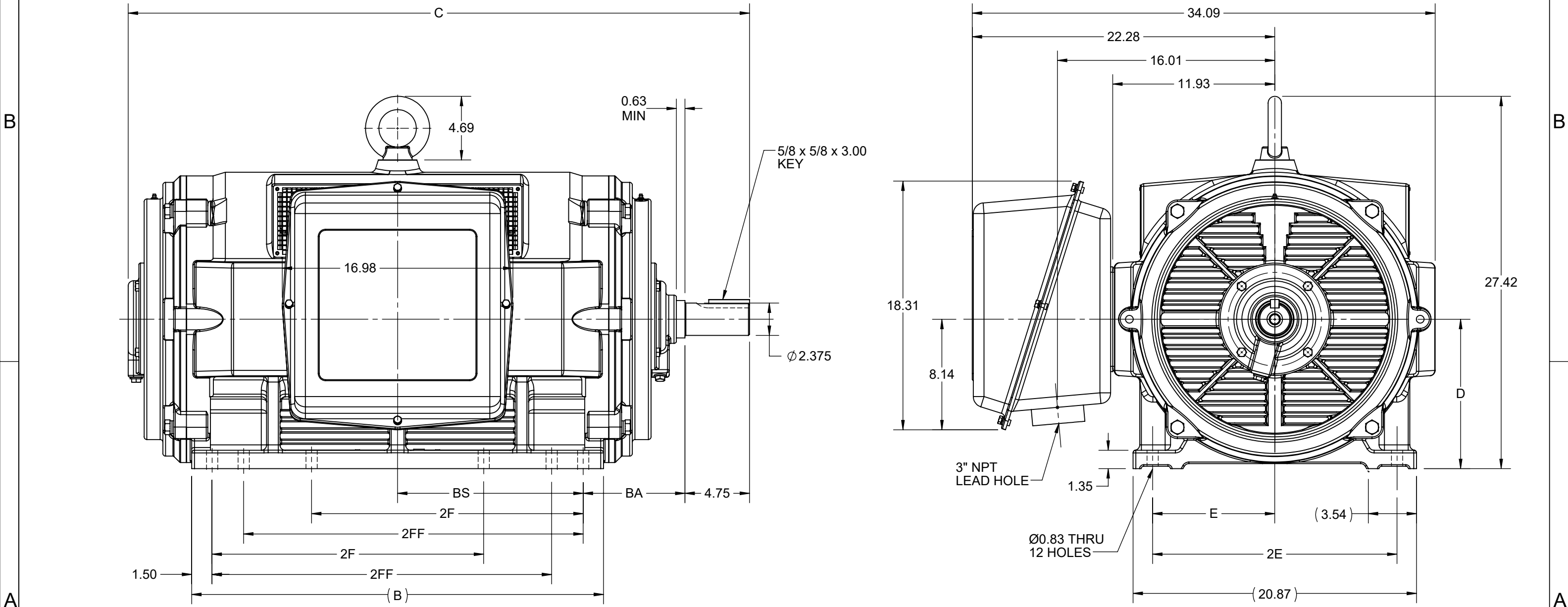
Nameplate Specifications

| | | | |
|------------------------|----------------------|----------------------------|-------------------|
| Output HP | 200 Hp | Output KW | 149.0 kW |
| Frequency | 60 Hz | Voltage | 380-400 V |
| Current | 270.0-257.0 A | Speed | 1788 rpm |
| Service Factor | 1.15 | Phase | 3 |
| Efficiency | 95.4 % | Power Factor | 86 |
| Duty | Continuous | Insulation Class | F |
| Design Code | B | KVA Code | F |
| Frame | 445TS | Enclosure | Drip Proof |
| Thermal Protection | No | Ambient Temperature | 50 °C |
| Drive End Bearing Size | 6319 | Opp Drive End Bearing Size | 6317 |
| UL | Listed | CSA | Y |
| CE | Y | IP Code | 23 |
| Number of Speeds | 1 | | |

Technical Specifications

| | | | |
|-----------------------|------------------------------------|-----------------------|---|
| Electrical Type | Squirrel Cage Induction Run | Starting Method | Part Wdg Start & Wye Start Delta Run |
| Poles | 4 | Rotation | Reversible |
| Resistance Main | .028 Ohms | Mounting | Rigid Base |
| Motor Orientation | Horizontal | Drive End Bearing | Ball |
| Opp Drive End Bearing | Ball | Frame Material | Cast Iron |
| Shaft Type | TS | Overall Length | 40.83 in |
| Frame Length | 25.98 in | Shaft Diameter | 2.375 in |
| Shaft Extension | 4.75 in | Assembly/Box Mounting | F1/F2 CAPABLE |
| Outline Drawing | SS620756-445TS | Connection Drawing | EE7300BH |

| DASH NO. | 4 | | 3 | | | | | 2 | | 1 | |
|----------|-------|-------|-------|------|-------|-------|-------|------|-------|----------|-----------|
| | B | C | D | E | 2E | 2F | 2FF | BA | BS | MOUNTING | FRAME |
| 100 | 25.20 | 40.64 | 11.00 | 9.00 | 18.00 | 14.50 | 16.50 | 7.50 | 11.10 | F1 OR F2 | 444/445TS |
| 200 | 30.31 | 45.76 | | | | 20.00 | 25.00 | | 13.66 | | 447/449TS |



| | | |
|---|-----------------------|-------------------------------|
| DRAWING REVISION C | REVISION BY GOPI J | REV DATE/© DATE 09/02/2022 |
| REQUEST NUMBER CR-0006851 | APPROVED BY SBD | DATE 09/02/2022 |
| REQUEST NUMBER DESCRIPTION VIEWS UPDATED AS PER 3D | | |
| <small>COPYRIGHT (PER REVISION DATE) REGAL BELOIT AMERICA, INC. ALL RIGHTS RESERVED. PROPRIETARY AND CONFIDENTIAL INFORMATION - THIS DOCUMENT IS THE PROPERTY OF REGAL BELOIT AMERICA, INC. ("OWNER") AND CONTAINS OWNER'S PROPRIETARY INFORMATION. ANY PERSON, CORPORATION OR OTHER FIRM RECEIVING IT IS DEEMED, BY RECEIVING IT, TO AGREE THAT IT, AND/OR ANY PART OF IT, SHALL NOT BE DISCLOSED TO ANY PERSON, CORPORATION OR OTHER ENTITY, DUPLICATED, AND/OR USED, EXCEPT AS EXPRESSLY APPROVED IN WRITING IN ADVANCE BY OWNER. THIS DOCUMENT SHALL BE RETURNED TO OWNER UPON REQUEST. IT MAY BE SUBJECT TO CERTAIN RESTRICTIONS UNDER APPLICABLE EXPORT CONTROL LAWS AND REGULATIONS.</small> | | |

PRIMARY DIMENSIONS ARE INCH
mm DIMENSIONS IN [BRACKETS]
ARE FOR REFERENCE ONLY

| | | |
|------------------------|---|----------------------------|
| DRAWN BY ZXW | Regal Beloit America, Inc. | |
| DATE 21/07/2016 | | |
| APPROVED BY | DESCRIPTION OUTLINE | |
| DATE | 444/445/447/449TS FR NEMA ODP CAST IRON | |
| REFERENCE | MATERIAL | PROCESS/FINISH |
| THIRD ANGLE PROJECTION | SIZE B | DRAWING NUMBER SS620756 |
| | | SHEET 1 OF 1 |



VIEW OF TERMINAL END

| | | | | TOLERANCES UNLESS SPECIFIED | | REGAL REGAL-BELOIT CORPORATION | DRAWN RJW 02-11-2005 | | | | |
|--|------------------------------|-------------|----------------|-----------------------------|--------------|--------------------------------|----------------------|--------|----------------------|---------|--------|
| | | | | DEC. | INCHES | | CHK | ML | 02-11-2005 | | |
| | | | | .X | ±.1 | | APPD | GK | 02-11-2005 | | |
| | | | | .XX | ±.02 | TITLE CONNECTION DIAGRAM | | SCALE | | | |
| D | CHANGED TO REGAL TITLE BLOCK | ECO-0108299 | WGJ 08/22/2016 | EMH | .XXX ±.005 | 12 LEAD- SINGLE VOLTAGE | | REF | | | |
| 1 | ADDED IEC TERMINAL MARKINGS | CN 41429 | JJB 05/24/2007 | ML | .XXXX ±.0005 | MAT'L. | | FMF | | | |
| NO. | REVISION | BY & DATE | CHK | ANG | ±7'30" | FINISH | | PREV | | | |
| THIS DRAWING IN DESIGN AND DETAIL IS OUR PROPERTY AND MUST NOT BE USED EXCEPT IN CONNECTION WITH OUR WORK ALL RIGHTS OF DESIGN AND INVENTION ARE RESERVED THIS IS AN ELECTRONICALLY GENERATED DOCUMENT - DO NOT SCALE THIS PRINT | | | | | | RFP 02-11-2005 | CAD FILE ee7300bh | SIZE A | DRAWING NO. EE7300BH | PAGE OF | REV. C |
| | | | | | | DIST LB | | | | | |



P.O. BOX 8003
WAUSAU, WI 54401-8003
PH. 715-675-3311

DATA VOLTS: 460

CERTIFICATION DATA SHEET

CUSTOMER: _____ CUSTOMER P.O. #: _____
 ORDER #: _____ REFERENCE MODEL #: 445TSTDCD14047
 CONN. DIAGRAM: EE7300BH CAT #: U1537A
 OUTLINE: SS620756 CUSTOMER PART #: _____
 WINDING: IE3L2804111 NONE 2 MOUNTING: F1/F2 CAPABLE
 SPEED: _____

TYPICAL MOTOR PERFORMANCE DATA

| HP | KW | SYNC RPM | FL RPM | FRAME | ENCLOSURE | TYPE | KVA CODE | DESIGN |
|-----|-----|----------|--------|-------|-----------|------|----------|--------|
| 200 | 149 | 1800 | 1788 | 445TS | DP | TDC | F | B |

| PH | HZ | VOLTS | AMPS | START TYPE | DUTY | INSL | S.F. | AMB | ELEV. |
|----|----|---------|---------|-------------|------|------|------|-----|-------|
| 3 | 60 | 380-400 | 270-257 | PWS & YDRUN | CONT | F | 1.15 | 50 | 3300 |

| F.L. EFF | 95.4 | 3/4 LD EFF | 95.8 | 1/2 LD EFF | 95.4 | GTD EFF | 94.5 | ELECT. TYPE | SQ CAGE IND RUN |
|----------|------|------------|------|------------|------|---------|------|-------------|-----------------|
| F.L. PF | 87.0 | 3/4 LD PF | 85.0 | 1/2 LD PF | 81.0 | | | | |

| F.L. TORQUE | LR AMPS @ 460 V | L.R. TORQUE | B.D. TORQUE | F.L. RISE (°C) |
|-------------|-----------------|------------------|------------------|----------------|
| 588 LB-FT | 1,524 | 1,000 LB-FT 170% | 1,200 LB-FT 204% | 55 |

| @ 3 FT. | POWER | ROTOR WK ² | MAX. LOAD WK ² | SAFE STALL TIME | STARTS/HOUR | MOTOR WGT |
|---------|--------|-------------------------|---------------------------|-----------------|-------------|-----------|
| 85 dBA | 94 dBA | 95.0 LB-FT ² | 0 LB-FT ² | 15 SEC. | 0 | 3500 LB. |

***** SUPPLEMENTAL INFORMATION *****

| DE BRACKET TYPE | ODE BRACKET TYPE | MOUNT TYPE | MOTOR ORIENTATION | SEVERE DUTY | HAZARDOUS LOCATION | DRIP COVER | SCREENS | PAINT |
|-----------------|------------------|------------|-------------------|-------------|--------------------|------------|---------|--------------|
| STANDARD | STANDARD | RIGID | HORIZONTAL | NO | NONE | NO | NONE | RED (ENAMEL) |

| BEARINGS | | GREASE | SHAFT TYPE | SPECIAL DE | SPECIAL ODE | SHAFT MATERIAL | FRAME MATERIAL |
|----------|------|------------|------------|------------|-------------|-------------------------|----------------|
| DE | ODE | POLYREX EM | TS | NONE | NONE | 1045 HOT ROLLED (C-204) | CAST IRON |
| BALL | BALL | | | | | | |
| 6319 | 6317 | | | | | | |

| THERMOSTATS | PROTECTORS | WDG RTD's | BRG RTD's | THERMISTORS | CONTROL | SPACE HEATERS |
|-------------|------------|-----------|-----------|-------------|---------|---------------|
| NONE | NOT | NONE | NONE | NONE | FALSE | NA |

| R1 (ohms/ph) | R2 (ohms/ph) | X1 (ohms/ph) | X2 (ohms/ph) | Xm (ohms/ph) | VIBRATION (in/sec) | FLOAT |
|--------------|--------------|--------------|--------------|--------------|--------------------|-------|
| 0.013 | 0.006 | 0.067 | 0.156 | 3.463 | 0.150 | ODE |

| | | | | | | |
|---------------------------------|---------------------------|--|--|--|--|--|
| * N O T E S * | INVERTER TORQUE: NONE | | | | | |
| | INV. HP SPEED RANGE: NONE | | | | | |
| | ENCODER: NONE | | | | | |
| | NONE | | | | | |
| | NONE NONE PPR | | | | | |

| | |
|-------------------------------|-------------------|
| PREPARED BY: FAREEDA DUDEKULA | BRAKE: NONE |
| DATE: 8/21/2018 | NONE NONE |
| | FT-LB: NA |
| | VOLTAGE: NONE HZ: |
| | UL: NONE |

FORM: 3531 REV_4 2/27/06

Data Sheet

445TSTD14047

Date: 12/12/2018
 Customer: _____
 Attention: _____
 Submitted by: FAREEDA DUDEKULA



Submittal

Data @ 400 V

Motor Load Data

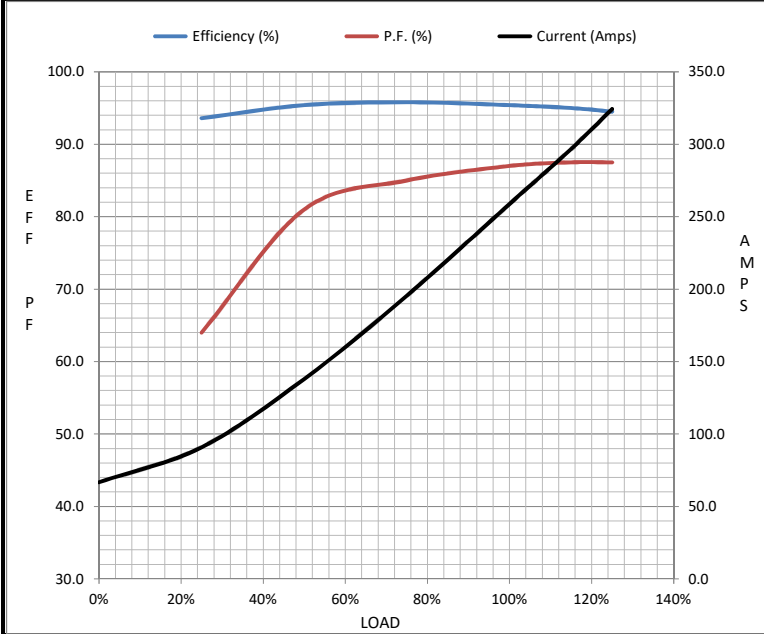
| Load | 0% | 25% | 50% | 75% | 100% | 115% | 125% | LR |
|----------------|------|------|------|------|------|-------|------|-------|
| Current (Amps) | 66.7 | 90.9 | 138 | 196 | 259 | 297 | 324 | 1,524 |
| Torque (ft-lb) | 0.00 | 146 | 293 | 440 | 588 | 677 | 736 | 1,000 |
| RPM | 1800 | 1796 | 1794 | 1790 | 1788 | 1,786 | 1784 | 0 |
| Efficiency (%) | | 93.6 | 95.4 | 95.8 | 95.4 | 95.0 | 94.5 | |
| P.F. (%) | 4.5 | 64.0 | 81.0 | 85.0 | 87.0 | 87.5 | 87.5 | 40.0 |

Motor Speed Data

| | LR | Pull-Up | BD | Rated | Idle |
|----------------|-------|---------|-------|-------|------|
| Speed (RPM) | 0 | 900 | 1725 | 1788 | 1800 |
| Current (Amps) | 1,524 | 1,438 | 805 | 259 | 66.7 |
| Torque (ft-lb) | 1,000 | 850 | 1,200 | 588 | 0.00 |

Information Block

| | | | | |
|-----------------------------|-------------------------|--------|--------|--------|
| HP | 200.0 | | | |
| Sync. RPM | 1800 | | | |
| Frame | 445 | | | |
| Enclosure | DP | | | |
| Construction | TDC | | | |
| Voltage | 380-400 V | | | |
| Frequency | 60 Hz | | | |
| Design | B | | | |
| LR Code letter | F | | | |
| Service Factor | 1.15 | | | |
| Temp Rise @ FL | 55 °C | | | |
| Duty | CONT | | | |
| Ambient | 40 °C | | | |
| Elevation | 1,000 feet | | | |
| Rotor/Shaft wk ² | 95.0 Lb-Ft ² | | | |
| Ref Wdg | IE3L2804111 NONE | | | |
| Sound Pressure @ 1M | 85 dBA | | | |
| VFD Rating | NONE | | | |
| Outline Dwg | SS620756 | | | |
| Conn. Diag | EE7300BH | | | |
| Additional Specifications: | | | | |
| 0 | | | | |
| 0 | | | | |
| EQUIV CKT (OHMS / PHASE) | | | | |
| R1 | R2 | X1 | X2 | Xm |
| 0.0130 | 0.0060 | 0.0670 | 0.1560 | 3.4630 |



Speed - Torque Curve

