

PRODUCT INFORMATION PACKET

Model No: 444VTDC6026

Catalog No: V143A

Vertical Pump Motor, 150 & 125 HP, 3 Ph, 60 & 50 Hz, 460 & 380 V, 1800 & 1500 RPM, 444TPV Frame,
WPI



Regal and Marathon are trademarks of Regal Rexnord Corporation or one of its affiliated companies.

©2023 Regal Rexnord Corporation, All Rights Reserved. MC017097E

Nameplate Specifications

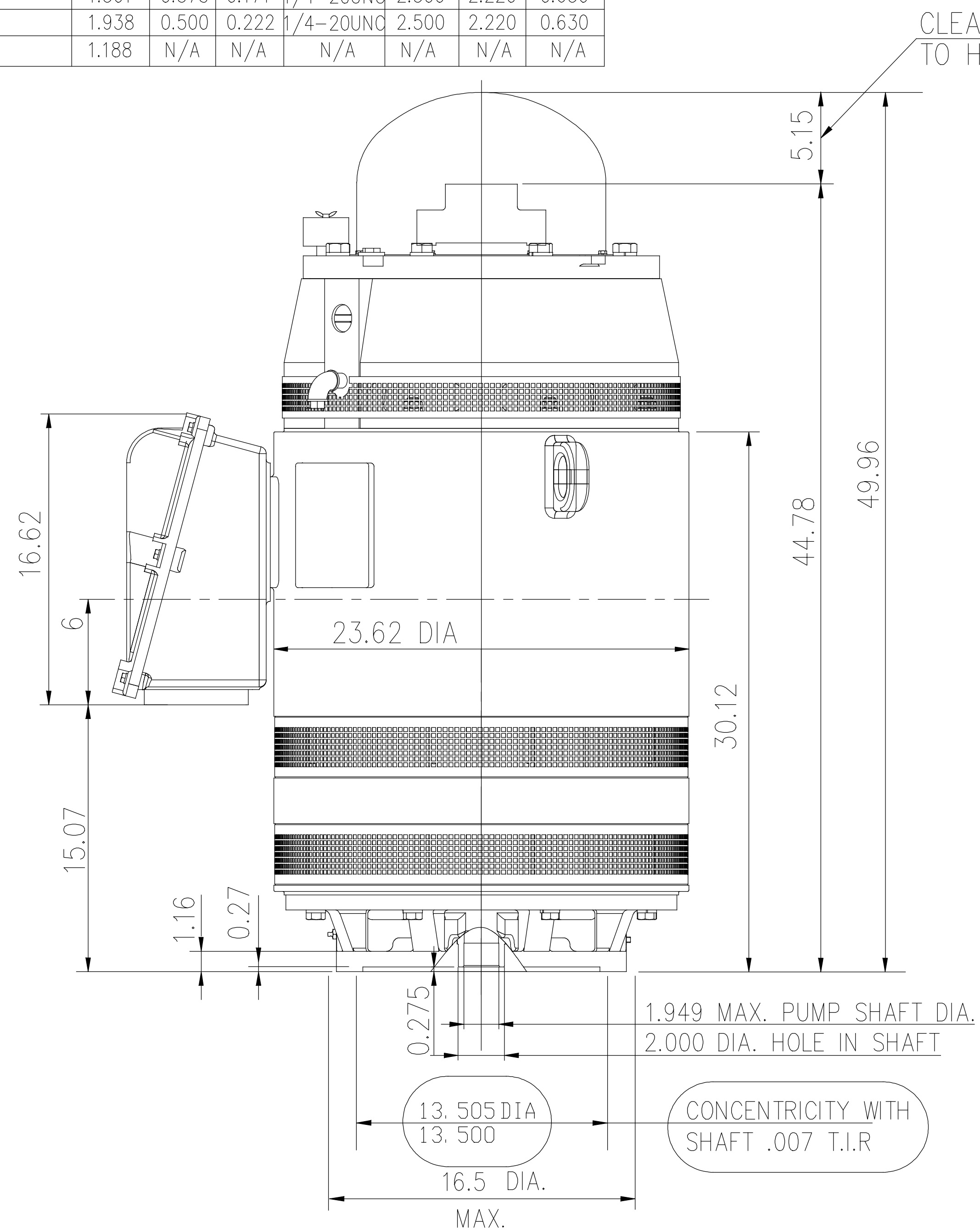
Phase	3	Output HP	150 & 125 Hp
Output KW	112.0 & 93.0 kW	Voltage	460 & 380 V
Speed	1785 & 1485 rpm	Service Factor	1.15 & 1.15
Frame	444TPV	Enclosure	Weather Protected 1
Thermal Protection	No Protection	Efficiency	96 & 95 %
Ambient Temperature	40 °C	Frequency	60 & 50 Hz
Current	174 & 180 A	Power Factor	84
Duty	Continuous	Insulation Class	F
Design Code	B	KVA Code	G
Drive End Bearing Size	6314	Opp Drive End Bearing Size	7222DT
UL	Recognized	CSA	Y
CE	Y	IP Code	23
Number of Speeds	1		

Technical Specifications

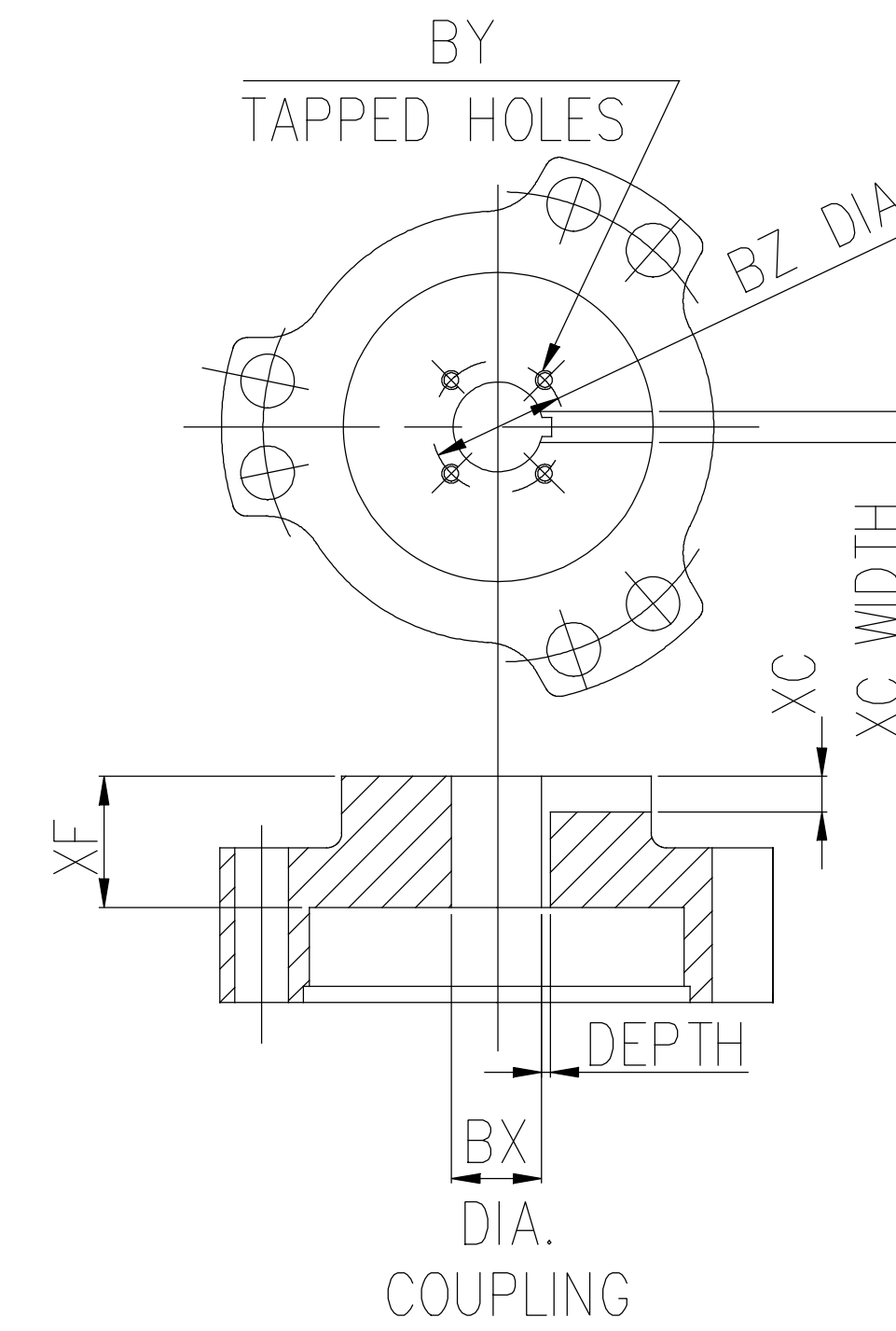
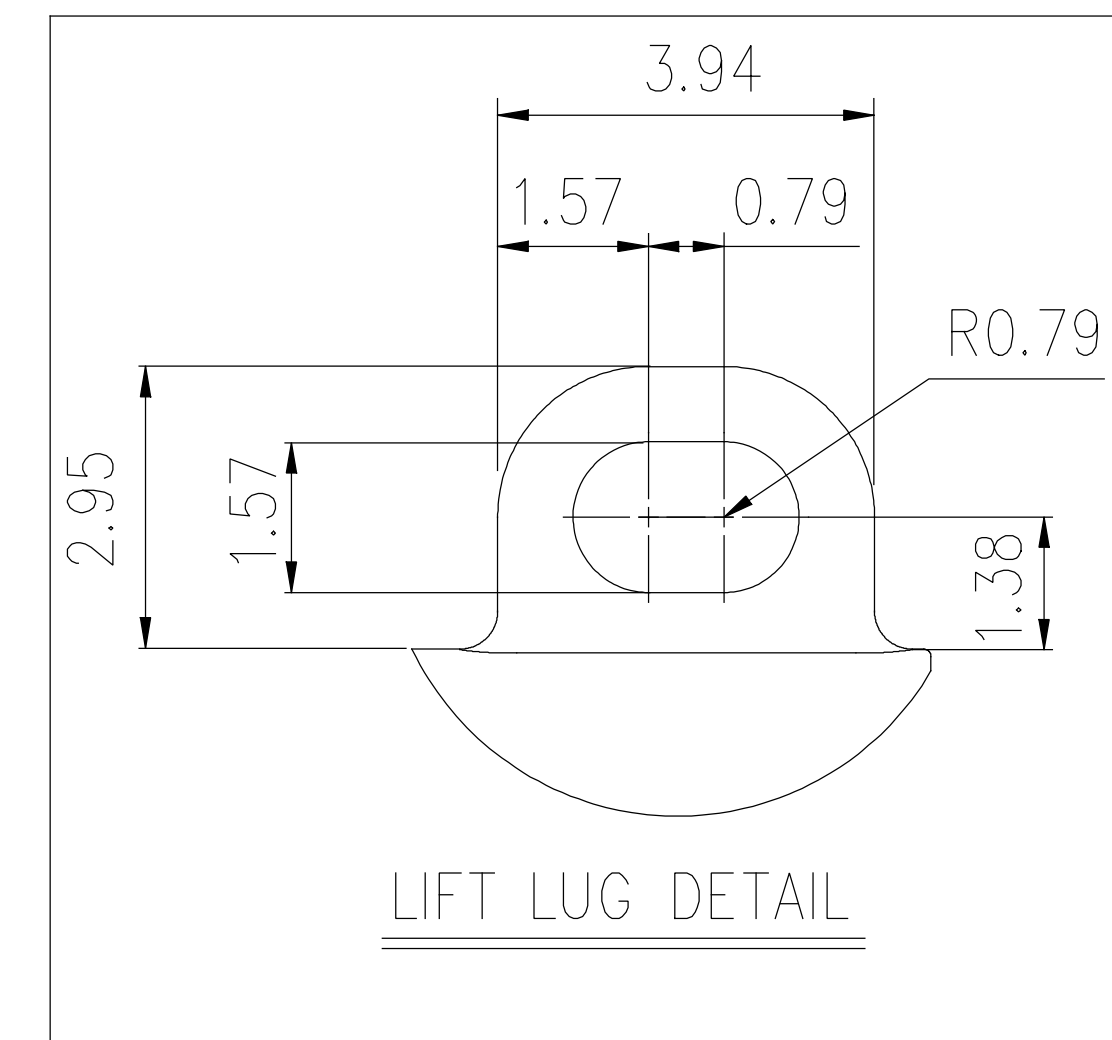
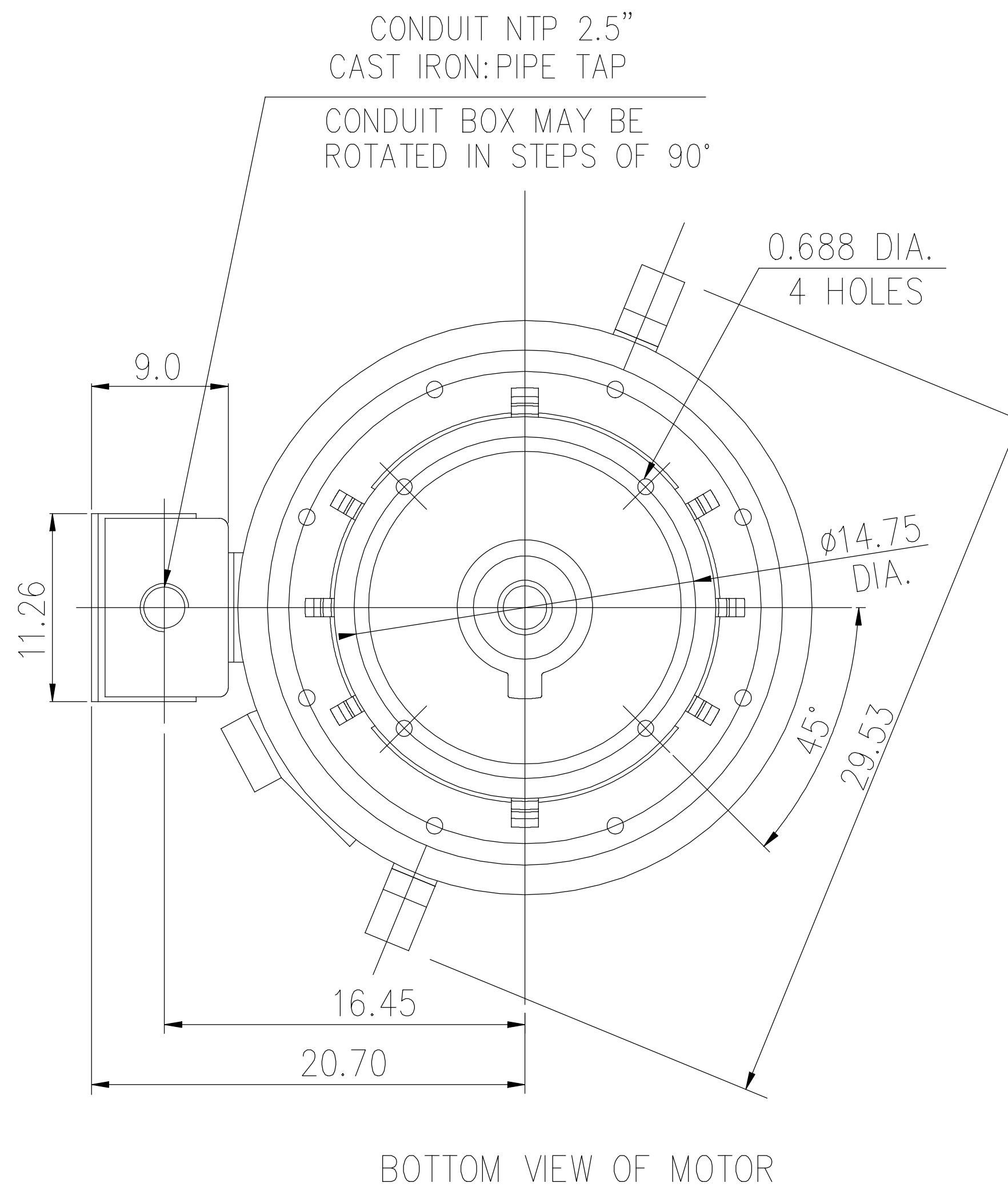
Electrical Type	Squirrel Cage Inverter Rated	Starting Method	Part Wdg Start Or Inverter
Poles	4	Rotation	Counterclockwise Rotation, Reversible without Non-Reversible Ratchet
Mounting	Round	Motor Orientation	Shaft Down
Drive End Bearing	Ball	Opp Drive End Bearing	Duplex Tandem Angular Contact
Frame Material	Cast Iron	Shaft Type	TP
Overall Length	49.96 in	Shaft Diameter	2.000 in
Shaft Extension	0.27 in	Assembly/Box Mounting	F1/F2 CAPABLE
Inverter Load	VARIABLE 3:1		
Connection Drawing	EE7341S	Outline Drawing	SS620843

SS620843

COUPLING	BX DIA.	KEYWAY		BY	BZ	XF	XC
		WIDE	DEEP				
	1.188	0.250	0.116	1/4-20UNC	1.750	2.220	0.630
	1.251	0.375	0.168	1/4-20UNC	2.120	2.220	0.630
	1.438	0.375	0.171	1/4-20UNC	2.500	2.220	0.630
	1.501	0.375	0.171	1/4-20UNC	2.500	2.220	0.630
	1.938	0.500	0.222	1/4-20UNC	2.500	2.220	0.630
	1.188	N/A	N/A	N/A	N/A	N/A	N/A



CLEARANCE TO HOOD



- (1) DIMENSIONS ARE IN INCHES.
- (2) DRIVE END BEARING 6314
OPPOSITE DRIVE END BEARING 7222DT
- (3) APPROXIMATE WEIGHT = 2050 LB

- (4) END OF LINE TESTS - SPECIFIC TO EACH RATING
 - *NO LOAD AMPS @ FULL VOLTAGE
 - *NO LOAD WATTS @ FULL VOLTAGE
 - *VIBRATION MEETS MG-1 STANDARD
 - BALANCE 0.15 IN/S 3.8 MM/S

NO.	REVISION	BY & DATE	CHK	ANG	TOLERANCES UNLESS SPECIFIED		TITLE	DRAWN
					DEC.	INCHES		
C	UPDATED PER MARK-UPS ECO-0151417	WGJ 9-11-2018	AL	.XX	±.03		REGAL - BELOIT CORPORATION OUTLINE 444/445TP16 FRAME	CHK
B	RE-PUBLISHED ECO-0125813	WGJ 6-21-2017	EMH	.XXX	±.005			APPD
A	RELEASED FOR PRODUCTION ECO-0125213	WGJ 6-13-2017	AL	.XXXX	±.0005			SCALE
							MAT'L.	REF
							FINISH	FMF
							CAD FILE	PREV
			RFP					SIZE
			DIST					DRAWING NO.
							B	SS620843
								REV.
								C

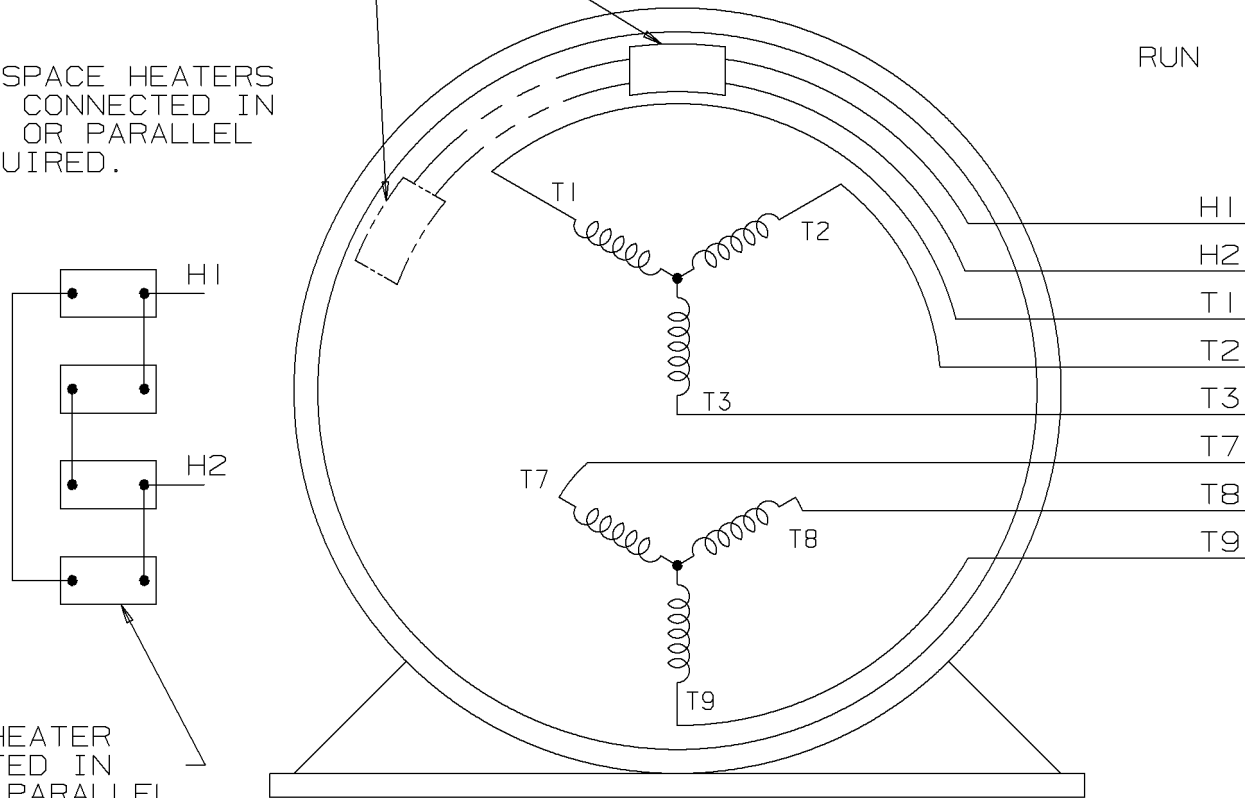
SPACE HEATER

NOTE: SPACE HEATERS CAN BE CONNECTED IN SERIES OR PARALLEL AS REQUIRED.

START - CONNECT T1 TO L1
 CONNECT T2 TO L2
 CONNECT T3 TO L3
 OPEN T7, T8 & T9


RUN - CONNECT T1 & T7 TO L1
 CONNECT T2 & T8 TO L2
 CONNECT T3 & T9 TO L3

H1 & H2 CONNECTED TO SPACE HEATER CIRCUIT



SPACE HEATER CONNECTED IN SERIES PARALLEL

NT4K
 NT4N

				<input checked="" type="checkbox"/> MAX. SURFACE ROUGHNESS UNLESS NOTED OTHERWISE UNLESS OTHERWISE SPECIFIED DIMENSIONS ARE IN INCHES TOL. ON XX± XXX±.005 XXXX±.0005 ANGLES±	
			MATL SPEC	DRAWN BY DRS 08-11-1998 CHKD BY MRB 08-11-1998 APPD BY DD 08-11-1998	
			FINISH	 WAUSAU, WISCONSIN 54401	
1	08-11-1998	NEW DRAWING	MU-21255	DRS	
REV	DATE	CHANGE	NAME	PART NAME	DRWG NO
				3 PH - 2 CKT Y - 6 LEADS - W/ SPACE HEATERS	A- EE7341S

SHOP BOOK

PURCHASED

DISTRIBUTION - WA - LB - WP - LM

CADD FILE NO.

EE7341S



**P.O. BOX 8003
WAUSAU, WI 54401-8003
PH. 715-675-3311**

CERTIFICATION DATA SHEET

CUSTOMER:
ORDER #:
CONN. DIAGRAM: EE7341S
OUTLINE: SS620843
WINDING #: TPE4444001 1

CUSTOMER PO#:
MODEL #: 444VTDC6026 AA
CUSTOMER PART #:
MOUNTING: F1/F2 CAPABLE

TYPICAL MOTOR PERFORMANCE DATA

HP	kW	SYNC. RPM	F.L. RPM	FRAME	ENCLOSURE	KVA CODE	DESIGN
150&125	112&93.0	1800	1785&1485	444TPV	WPI	G	B

PH	Hz	VOLTS	AMPS	START TYPE	DUTY	INSL	S.F.	AMB°C
3	60/50	460&380	174&180	PWS OR INVERTER	CONTINUOUS	F	1.15/1.15	40

FULL LOAD EFF:	96&95	3/4 LOAD EFF:	95.4	1/2 LOAD EFF:	95	GTD. EFF		ELEC. TYPE	
FULL LOAD PF:	84&83	3/4 LOAD PF:	84	1/2 LOAD PF:	72	95		SQ CAGE INV RATED	

F.L. TORQUE	LOCKED ROTOR AMPS	L.R. TORQUE	B.D. TORQUE	F.L. RISE°C
441 LB-FT	1085	800 LB-FT 180 %	1050 LB-FT 238 %	60

SOUND PRESSURE @ 3 FT.	SOUND POWER	ROTOR WK^2	MAX. WK^2	SAFE STALL TIME	STARTS / HOUR	APPROX. MOTOR WGT
78 dBA	88 dBA	55.2 LB-FT^2	1670 LB-FT^2	12 SEC.	2	2100 LBS.

***** SUPPLEMENTAL INFORMATION *****

DE BRACKET TYPE	ODE BRACKET TYPE	MOUNT TYPE	ORIENTATION	SEVERE DUTY	HAZARDOUS LOCATION	DRIP COVER	SCREENS	PAINT
P-BASE-16	STANDARD	ROUND	SHAFT DOWN	FALSE	NONE	TRUE	RODENT	BLUE (ENAMEL)

BEARINGS		GREASE	SHAFT TYPE	SPECIAL DE	SPECIAL ODE	SHAFT MATERIAL	FRAME MATERIAL
DE	ODE						
BALL	DUPLEX TANDEM ANGULAR CONTACT	POLYREX/ISOVG32	TP	NONE	NONE	1045 HOT ROLLED (C-204)	CAST IRON
6314	7222DT						

THERMO-PROTECTORS				THERMISTORS	CONTROL	SPACE HEATERS
THERMOSTATS	PROTECTORS	WDG RTDs	BRG RTDs			
NONE	NOT	NONE	NONE	NONE	FALSE	110 VOLTS

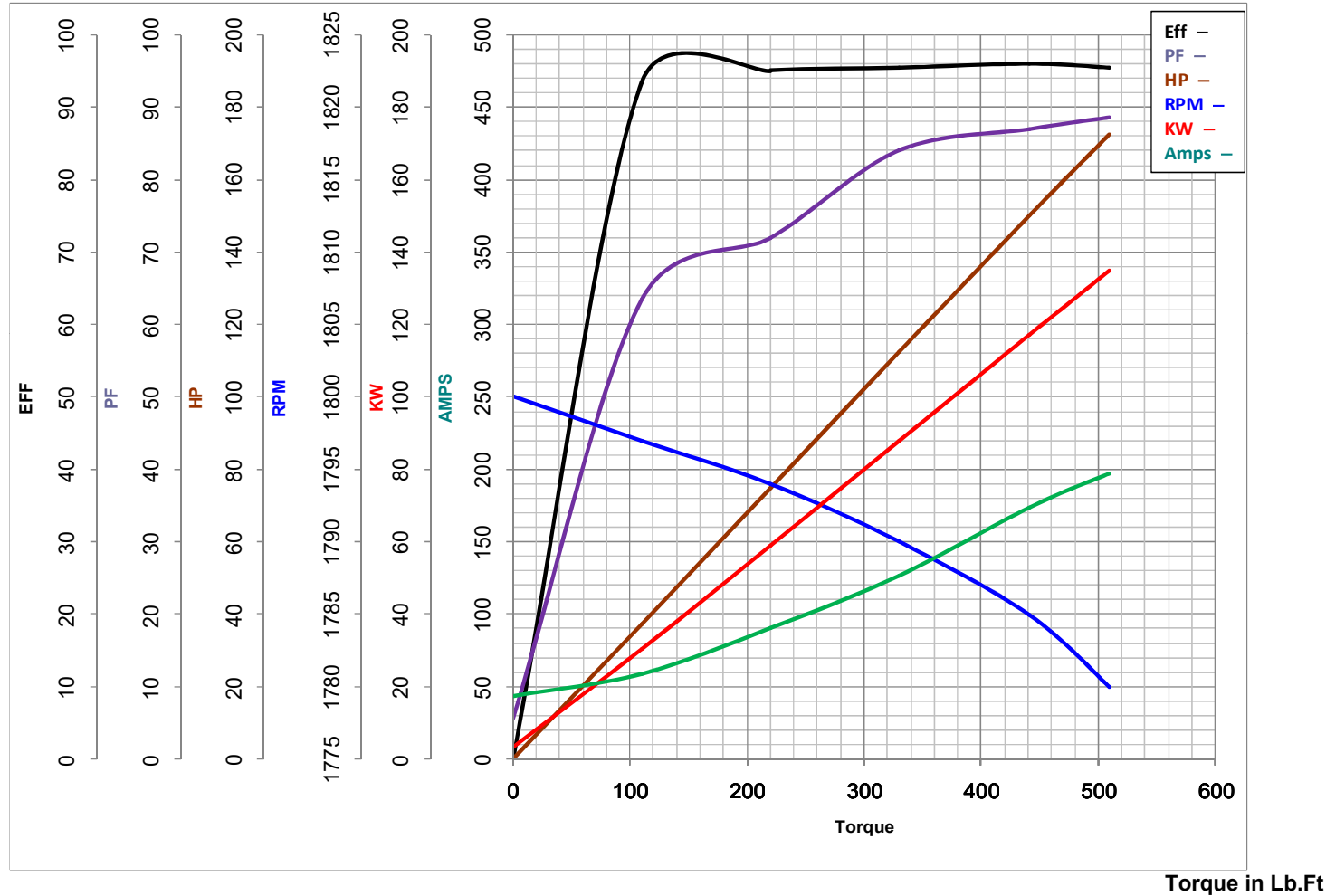
* N O T E S *	INVERTER TORQUE: VARIABLE 3:1
	INV. HP SPEED RANGE: NONE
	ENCODER: NONE NONE NONE NONE NONE PPR
	BRAKE: NONE NONE NONE P/N NONE NONE NONE NONE FT-LB NONE V NONE Hz

PREPARED BY: Dinesh
Suddula **DATE:**
02/18/2019 03:27:57 AM
FORM 3531 REV.3 02/07/99
** Subject to change without
notice.



MARATHON ELECTRIC CORPORATION
TYPICAL PERFORMANCE CURVE for AC MOTOR

Customer _____ Curve at 460 Volts HP 150&125 PHASE 3
 Model No 444VTDC6026 60 HZ
150 HP VOLTS 460&380
 Catalog No V143A HZ 60&50 RPM 1785&1485



FL TORQUE	<u>441</u>	Lb.Ft	FL AMPS	<u>174</u>	
BD TORQUE	<u>1050</u>	Lb.Ft	PU TORQUE	<u>700.0</u>	Lb.Ft
LR TORQUE	<u>800</u>	Lb.Ft	LR AMPS	<u>1085</u>	
WINDING	TPE4444001-1		Date	11/2/2018	

EC Declaration of Conformity

The undersigned representing
the manufacturer:

Regal Beloit America
100 East Randolph St.
Wausau, WI 54401

and the authorized representative
established within the Community:

Marathon Electric UK
6F Thistleton Road Ind. Estate
Market Overton
Oakham, Rutland LE15 7PP UK

are committed to providing customers with products that comply with applicable regulations and international protocols to which they are subject, including the requirements of the European Parliament Directive on the Harmonization of the laws relating to electrical equipment designed for use within certain voltage limits (2014/35/EU).

Regal Beloit America declares that the following product(s), to which this declaration relates, are in conformity with the relevant sections of the EC standards listed below.

This statement supersedes any statements previously issued pertaining to the product(s) listed below and is subject to change without notice.

Model No : 444VTDC6026

(Model No. may contain prefix and/or suffix characters)

Catalog No : V143A

Rework No : N/A

Directives :

Low Voltage Directive 2014/35/EU

Harmonized Standards Used :

EN 60034-1: 2010 (IEC 60034-1: 2010)

EN 60034-5: 2001/A1:2007 (IEC 60034-5: 2000/A1:2006)

Authorized Representative:



Michael A. Logsdon
Vice President, Technology

Authorized Representative in the Community:



Julian Clark
Marketing Engineer

Created on 09/01/2022

CE 22