

PRODUCT INFORMATION PACKET

marathon®
Motors

Model No: 444TTGN12543
Catalog No: 444TTGN12543
125,1800,EPFC,444TCVZ,3/60/575

Regal and Marathon are trademarks of Regal Rexnord Corporation or one of its affiliated companies.
©2024 Regal Rexnord Corporation, All Rights Reserved. MC017097E

RegalRexnord

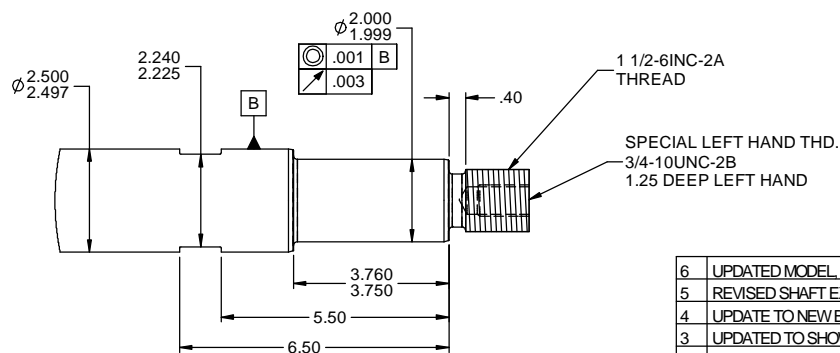
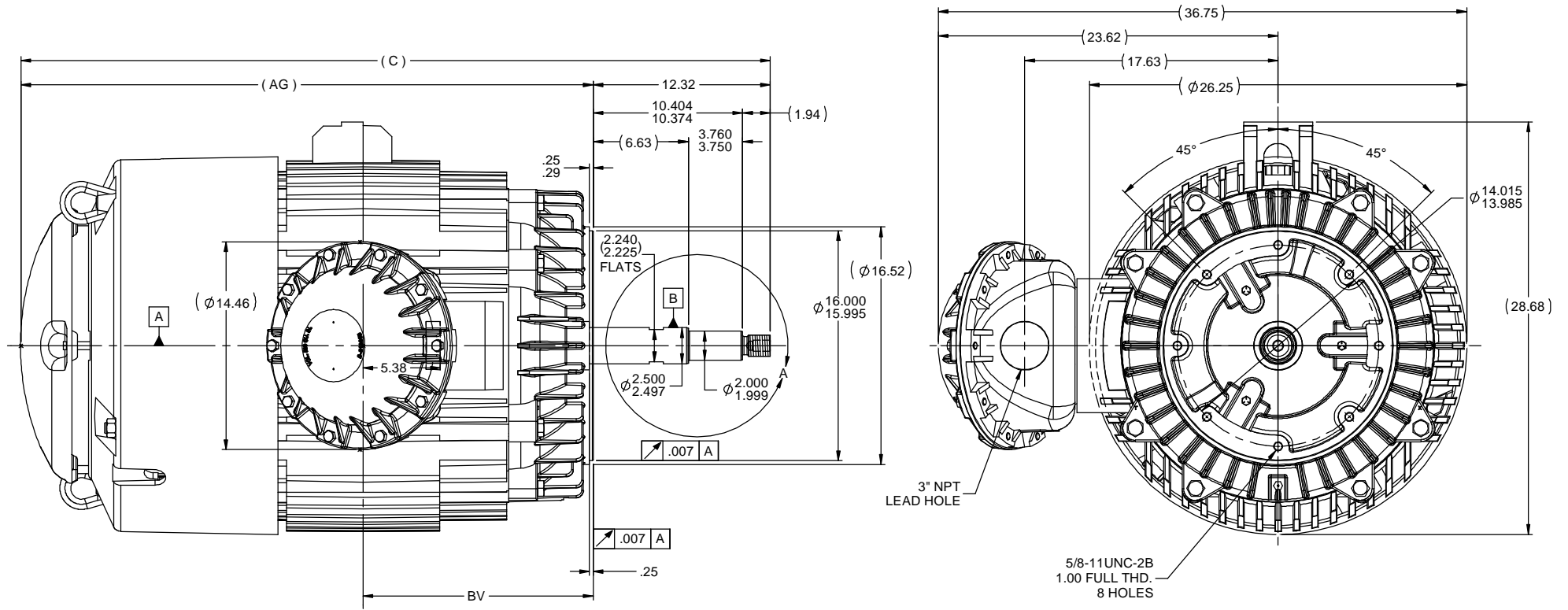
Nameplate Specifications

Phase	3	Output HP	125 Hp
Output KW	93.0 kW	Voltage	575 V
Speed	1785 rpm	Service Factor	1.15
Frame	444TCVZ	Enclosure	Explosion Proof Fan cooled
Thermal Protection	No Protection	Efficiency	95.8 %
Ambient Temperature	55 °C	Frequency	60 Hz
Current	114.0 A	Power Factor	86
Duty	Continuous	Insulation Class	F
Design Code	B	KVA Code	G
Drive End Bearing Size	6318	Opp Drive End Bearing Size	6316
UL	No	CSA	N
CE	N	IP Code	54
Number of Speeds	1	Hazardous Location	EXP PROOF CL I GR C&D T2A

Technical Specifications

Electrical Type	Squirrel Cage Inverter Rated	Starting Method	Line Or Inverter
Poles	4	Rotation	Reversible
Resistance Main	.0385 Ohms	Mounting	Round
Motor Orientation	Shaft Down	Drive End Bearing	Ball
Opp Drive End Bearing	Ball	Frame Material	Cast Iron
Shaft Type	Single Special Extension	Assembly/Box Mounting	F1/F2 CAPABLE
Outline Drawing	B-SS552137-2025	Connection Drawing	A-EE7300U

This is an uncontrolled document once printed or downloaded and is subject to change without notice. Date Created:09/24/2024



DETAIL A
SCALE 1 : 3

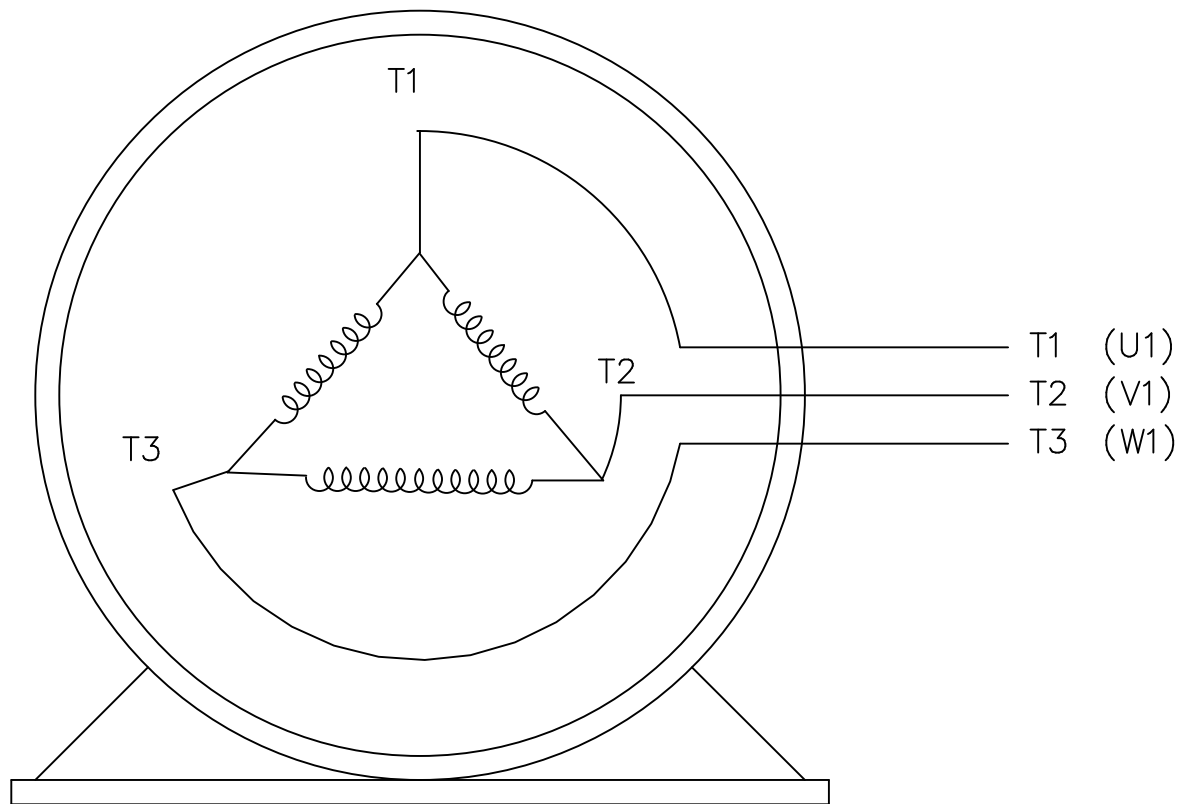
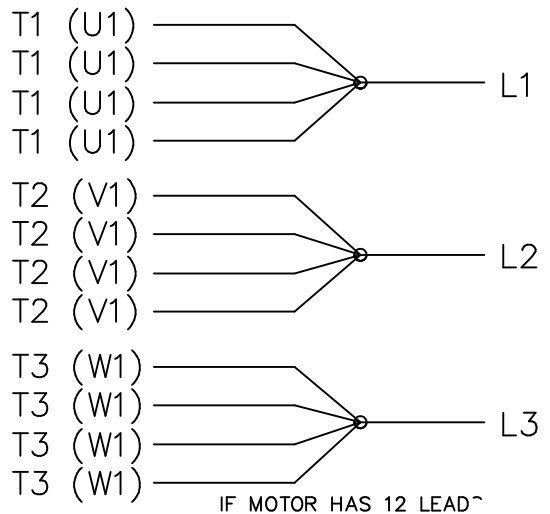
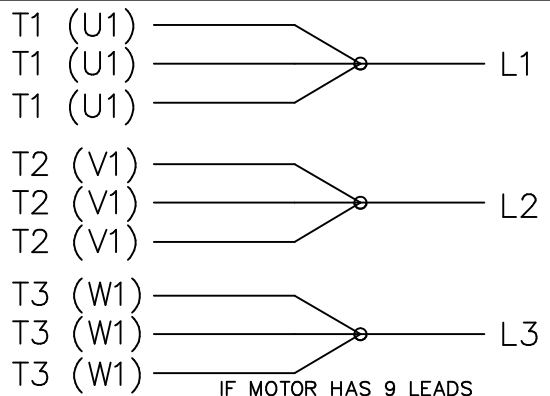
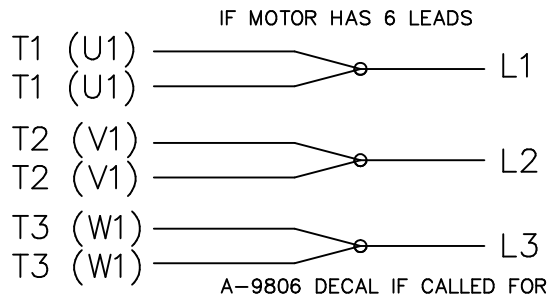
NOTES:
 1. CONDUIT BOX CAN BE ROTATED IN 90° STEPS.
 2. NAMEPLATES TO BE READ FROM CONDUIT BOX SIDE OF MOTOR.

DASH	FRAME	C	AG	BV
2025	440TCVZ	52.11	39.79	16.00


NO	REVISION	BY & DATE	CHK	LANG	±	FINISH	MATL	TITLE	SCALE	REF	FPMF	REV
6	UPDATED MODEL REVD BV DIM. WAS 15.75	MU105400	JJB	12/27/2011	MUS	TOLERANCES UNLESS SPECIFIED						
5	REVISED SHAFT EXTENSION	ISAAC 11-1324	VGJ	4/20/2011	EMH	DEC	INCHES					
4	UPDATE TO NEW BOLT-ON CBOX		RWR	05/31/2007	ML	X	±.1					
3	UPDATED TO SHOW PIPE NIPPLE	MU78960	TJW	5/24/2007	ML	XX	±.03	OUTLINE - VERT. - SPL EXT.	1:6.8			
2	REVISED SHAFT EXT. PER CN40781		TJW	5/23/2007	ML	XXX	±.005	440TCVZ FR. - EPFC - TGN				
1	UPDATE D.E. EXT. AND ADD DETAIL	CN40940	RWR	01-17-2007	ML	XXXX	±.0005					
							±7.30"					



RFP	PREV	SIZE	DRAWING NO	REV
NETWORK FILE NAME	SS552137	B	SS552137	6



VIEW OF TERMINAL END

				TOLERANCES UNLESS SPECIFIED			DRAWN KL 12-06-2000				
				DEC.	INCHES		CHK DJK 12-06-2000				
				.X	±.1		APPD DJK 12-06-2000				
				.XX	±.02		SCALE				
2	ADDED TABLES	CN39272	RJW 06-03-2005	ML	.XXX	±.005	TITLE EXTERNAL CONNECTION DIAGRAM 3Ø SINGLE VOLTAGE DELTA				
1	NEW DRAWING	MU34873	KL 12-06-2000		.XXXX	±.0005				REF	
NO.	REVISION	BY & DATE	CHK	ANG	±7'30"		PREV				
THIS DRAWING IN DESIGN AND DETAIL IS OUR PROPERTY AND MUST NOT BE USED EXCEPT IN CONNECTION WITH OUR WORK ALL RIGHTS OF DESIGN AND INVENTION ARE RESERVED THIS IS AN ELECTRONICALLY GENERATED DOCUMENT - DO NOT SCALE THIS PRINT				RFP	CAD FILE EE7300U_LN			SIZE	DRAWING NO.	PAGE OF	REV.
				DIST	LE			A	EE7300U-LN	2	2