

PRODUCT INFORMATION PACKET

Model No: 444TTFS6590

Catalog No: E405

Other Purpose Motor, 100 HP, 3 Ph, 60 Hz, 575 V, 1200 RPM, 444T Frame, TEFC

Regal and are trademarks of Regal Rexnord Corporation or one of its affiliated companies.
©2022 Regal Rexnord Corporation, All Rights Reserved. MC017097E



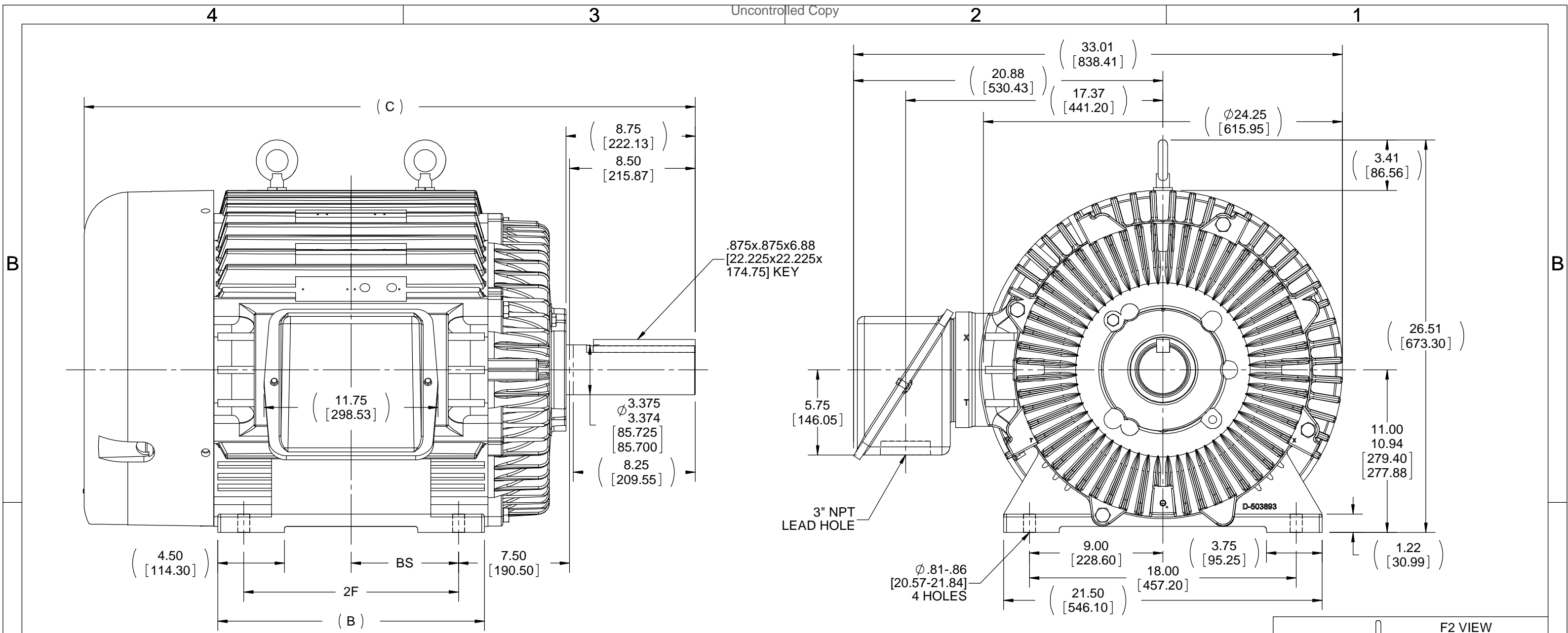
Nameplate Specifications

| | | | |
|------------------------|----------------------|----------------------------|------------------------------------|
| Output HP | 100 Hp | Output KW | 75.0 kW |
| Frequency | 60 Hz | Voltage | 575 V |
| Current | 95.0 A | Speed | 1190 rpm |
| Service Factor | 1.15 | Phase | 3 |
| Efficiency | 94.5 % | Power Factor | 83 |
| Duty | Continuous | Insulation Class | F |
| Design Code | B | KVA Code | G |
| Frame | 444T | Enclosure | Totally Enclosed Fan Cooled |
| Thermal Protection | No Protection | Ambient Temperature | 40 °C |
| Drive End Bearing Size | 6318 | Opp Drive End Bearing Size | 6316 |
| UL | Recognized | CSA | Y |
| CE | Y | IP Code | 54 |
| Number of Speeds | 1 | | |

Technical Specifications

| | | | |
|-----------------------|-------------------------------------|-----------------------|-------------------------|
| Electrical Type | Squirrel Cage Inverter Rated | Starting Method | Line Or Inverter |
| Poles | 6 | Rotation | Reversible |
| Resistance Main | .072 Ohms | Mounting | Rigid Base |
| Motor Orientation | Horizontal | Drive End Bearing | Ball |
| Opp Drive End Bearing | Ball | Frame Material | Cast Iron |
| Shaft Type | T | Overall Length | 41.27 in |
| Frame Length | 18.50 in | Shaft Diameter | 3.375 in |
| Shaft Extension | 8.75 in | Assembly/Box Mounting | F1/F2 CAPABLE |
| Outline Drawing | B-SS508879-1850 | Connection Drawing | A-EE7300U |

This is an uncontrolled document once printed or downloaded and is subject to change without notice. Date Created:09/07/2022



- NOTES:
 1. CONDUIT BOX CAN BE ROTATED IN 90° STEPS.
 2. CONDUIT BOX CAN BE MOUNTED ON OPPOSITE SIDE BY REMOVING BRACKETS AND TURNING FRAME 180°
 3. NAMEPLATES TO BE READ FROM CONDUIT BOX SIDE OF MOTOR.

| DASH | FRAME | B | C | BS | 2F |
|------|-------|-------------------|--------------------|------------------|-------------------|
| 1850 | 444T | 18.00 [457.20] | 41.27 [1048.26] | 7.25 [184.15] | 14.50 [368.30] |
| 2050 | 445T | 20.00 [508.00] | 43.27 [1099.06] | 8.25 [209.55] | 16.50 [419.10] |

| | | |
|---|----------------------------|--------------------|
| DRAWING REVISION D | REVISION BY W. JOERGER | DATE 05-11-2018 |
| ECO ECO-0138798 | APPROVED BY C. OHRMUNDT | DATE 05-11-2018 |
| ECO DESCRIPTION ADDED CORRECT FRAME (NON-GROUND HOLE) | | |
| <small>COPYRIGHT REGAL BELOIT AMERICA, INC. ALL RIGHTS RESERVED. PROPRIETARY AND CONFIDENTIAL INFORMATION - THIS DOCUMENT IS THE PROPERTY OF REGAL BELOIT AMERICA, INC. ("OWNER") AND CONTAINS OWNER'S PROPRIETARY INFORMATION. ANY PERSON, CORPORATION OR OTHER FIRM RECEIVING IT IS DEEMED, BY RECEIVING IT, TO AGREE THAT IT, AND/OR ANY PART OF IT, SHALL NOT BE DISCLOSED TO ANY PERSON, CORPORATION OR OTHER ENTITY, DUPLICATED, AND/OR USED, EXCEPT AS EXPRESSLY APPROVED IN WRITING IN ADVANCE BY OWNER. THIS DOCUMENT SHALL BE RETURNED TO OWNER UPON REQUEST. IT MAY BE SUBJECT TO CERTAIN RESTRICTIONS UNDER APPLICABLE EXPORT CONTROL LAWS AND REGULATIONS.</small> | | |

TOLERANCES UNLESS OTHERWISE SPECIFIED:

| DEC. | INCH | mm | ANGLE |
|-------|---------|-----------|---------|
| .X | ±0.1 | [±2.5] | ±7° 30" |
| .XX | ±0.03 | [±0.76] | |
| .XXX | ±0.005 | [±0.127] | |
| .XXXX | ±0.0005 | [±0.0127] | |

REMOVE BURRS & BREAK SHARP
 EDGES: .003/.015 [0.076/.381]
 CORNER FILLETS: .02 [0.51]
 MACHINED SURFACES: 200 INCH/mm 5.1
 mm SHOWN IN [BRACKETS]

| | |
|-------------------|------------------------|
| DRAWN BY TLB | DATE 12-14-1988 |
| APPROVED BY ML | DATE 12-14-1988 |
| REFERENCE | THIRD ANGLE PROJECTION |

| | |
|---|-----------------------------------|
| REGAL ™ Regal Beloit America, Inc. | |
| DESCRIPTION OUTLINE 440T FR. - TEFC - TAPPED LEAD HOLE | |
| MATERIAL | PROCESS/FINISH |
| SIZE B | DRAWING NUMBER SS508879 |
| SHEET 1 OF 1 | |

IF MOTOR HAS 9 LEADS

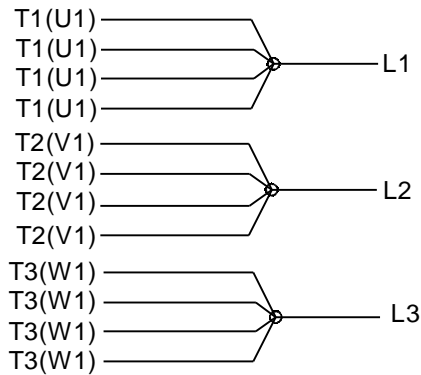


IF MOTOR HAS 6 LEADS



A-9806 DECAL IF CALLED FOR

IF MOTOR HAS 12 LEADS



VIEW OF TERMINAL END

| | | | | | | | | | | | | | | | | | | | | | | | | | | |
|--|---------------------------|---------------------------|--|---------------------------|-----------------------------------|----------------|------------------------|------------------|----------------------------------|------------------------|------|--------|---------|-----|-------|---------|--|------|--------|----------|--|-------|---------|-----------|--|---------------------------|
| DRAWING REVISION L | REVISION BY AJW | DATE 05-04-2015 | TOLERANCES UNLESS OTHERWISE SPECIFIED: | DRAWN BY DRS | Regal Beloit America, Inc. | | | | | | | | | | | | | | | | | | | | | |
| ECO ECO-0077067 | APPROVED BY EWH | DATE 05-05-2015 | <table style="font-size: small; border-collapse: collapse;"> <tr> <td><u>DEC.</u></td> <td><u>INCH</u></td> <td><u>mm</u></td> <td><u>ANGLE</u></td> </tr> <tr> <td>.X</td> <td>±0.1</td> <td>[±2.5]</td> <td>±7' 30"</td> </tr> <tr> <td>.XX</td> <td>±0.02</td> <td>[±0.51]</td> <td></td> </tr> <tr> <td>.XXX</td> <td>±0.005</td> <td>[±0.127]</td> <td></td> </tr> <tr> <td>.XXXX</td> <td>±0.0005</td> <td>[±0.0127]</td> <td></td> </tr> </table> | <u>DEC.</u> | | | <u>INCH</u> | <u>mm</u> | <u>ANGLE</u> | .X | ±0.1 | [±2.5] | ±7' 30" | .XX | ±0.02 | [±0.51] | | .XXX | ±0.005 | [±0.127] | | .XXXX | ±0.0005 | [±0.0127] | | DATE 09-27-1996 |
| <u>DEC.</u> | <u>INCH</u> | <u>mm</u> | <u>ANGLE</u> | | | | | | | | | | | | | | | | | | | | | | | |
| .X | ±0.1 | [±2.5] | ±7' 30" | | | | | | | | | | | | | | | | | | | | | | | |
| .XX | ±0.02 | [±0.51] | | | | | | | | | | | | | | | | | | | | | | | | |
| .XXX | ±0.005 | [±0.127] | | | | | | | | | | | | | | | | | | | | | | | | |
| .XXXX | ±0.0005 | [±0.0127] | | | | | | | | | | | | | | | | | | | | | | | | |
| ECO DESCRIPTION UPDATED TO SOLIDWORKS <small>COPYRIGHT REGAL BELOIT AMERICA, INC. ALL RIGHTS RESERVED. PROPRIETARY AND CONFIDENTIAL INFORMATION - THIS DOCUMENT IS THE PROPERTY OF REGAL BELOIT AMERICA, INC. ("OWNER") AND CONTAINS OWNER'S PROPRIETARY INFORMATION. ANY PERSON, CORPORATION OR OTHER FIRM RECEIVING IT IS DEEMED, BY RECEIVING IT, TO AGREE THAT IT, AND/OR ANY PART OF IT, SHALL NOT BE DISCLOSED TO ANY PERSON, CORPORATION OR OTHER ENTITY, DUPLICATED, AND/OR USED, EXCEPT AS EXPRESSLY APPROVED IN WRITING IN ADVANCE BY OWNER. THIS DOCUMENT SHALL BE RETURNED TO OWNER UPON REQUEST. IT MAY BE SUBJECT TO CERTAIN RESTRICTIONS UNDER APPLICABLE EXPORT CONTROL LAWS AND REGULATIONS.</small> | | | APPROVED BY GK | DATE 09-30-1996 | MATERIAL | PROCESS/FINISH | | | | | | | | | | | | | | | | | | | | |
| | | | REMOVE BURRS & BREAK SHARP EDGES: .003/.015 [.076/.381] X 45° CORNER FILLETS: R.02 [.51] MACHINED SURFACES: 200 $\sqrt{\text{INCH}}$ 5.1 $\sqrt{\text{mm}}$ mm SHOWN IN [BRACKETS] | | | REFERENCE | THIRD ANGLE PROJECTION | SIZE A | DRAWING NUMBER EE7300U | SHEET 1 OF 1 | | | | | | | | | | | | | | | | |