

PRODUCT INFORMATION PACKET

Model No: 444TTFC6685
Catalog No: E1247
100,1200,TEFC,444T,3/60/460

Regal and are trademarks of Regal Rexnord Corporation or one of its affiliated companies.
©2022 Regal Rexnord Corporation, All Rights Reserved. MC017097E



Nameplate Specifications

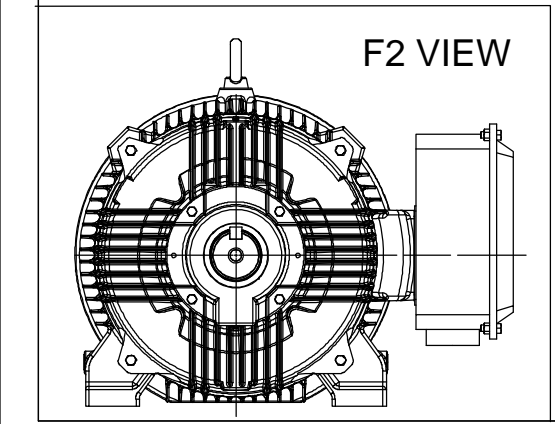
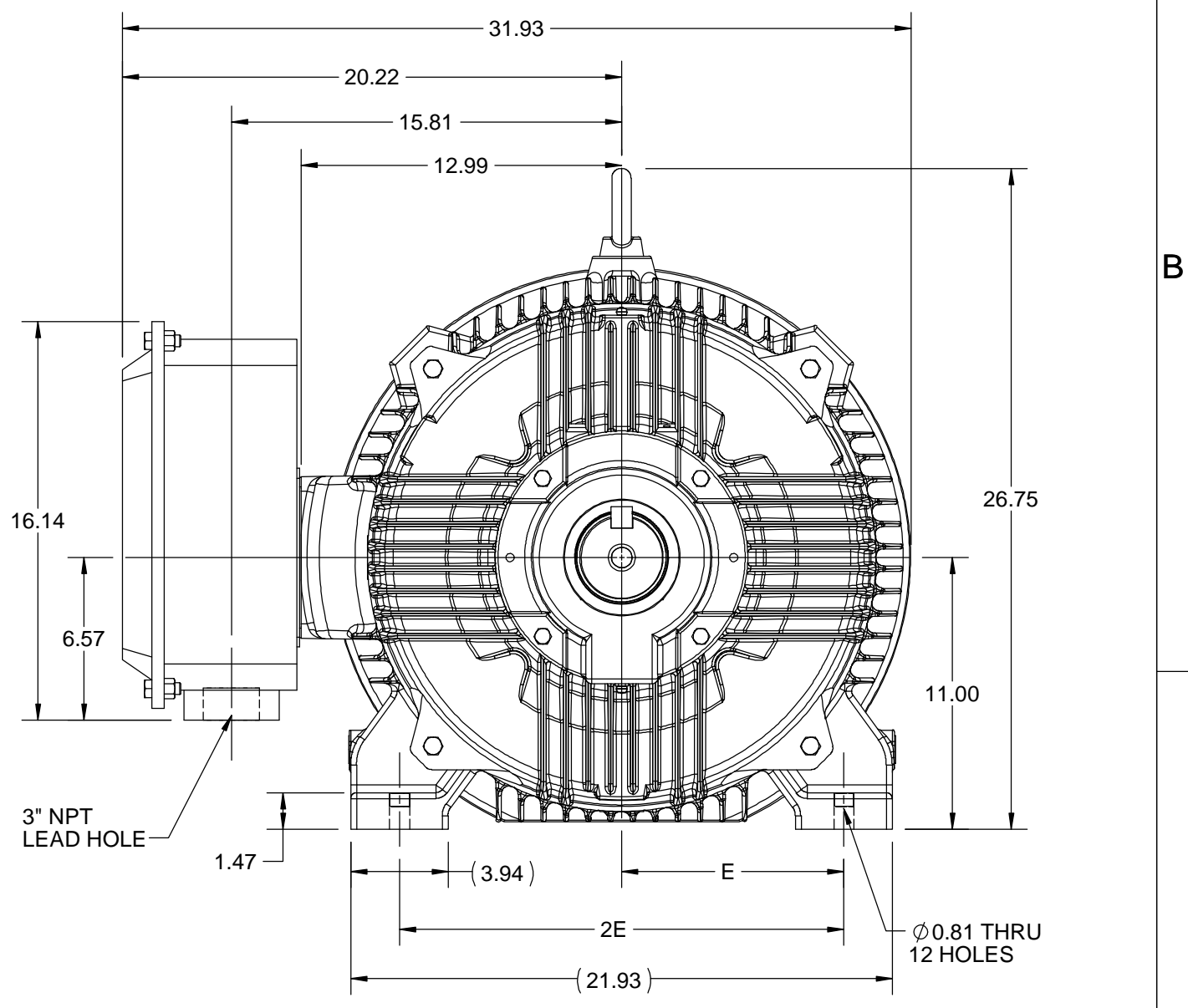
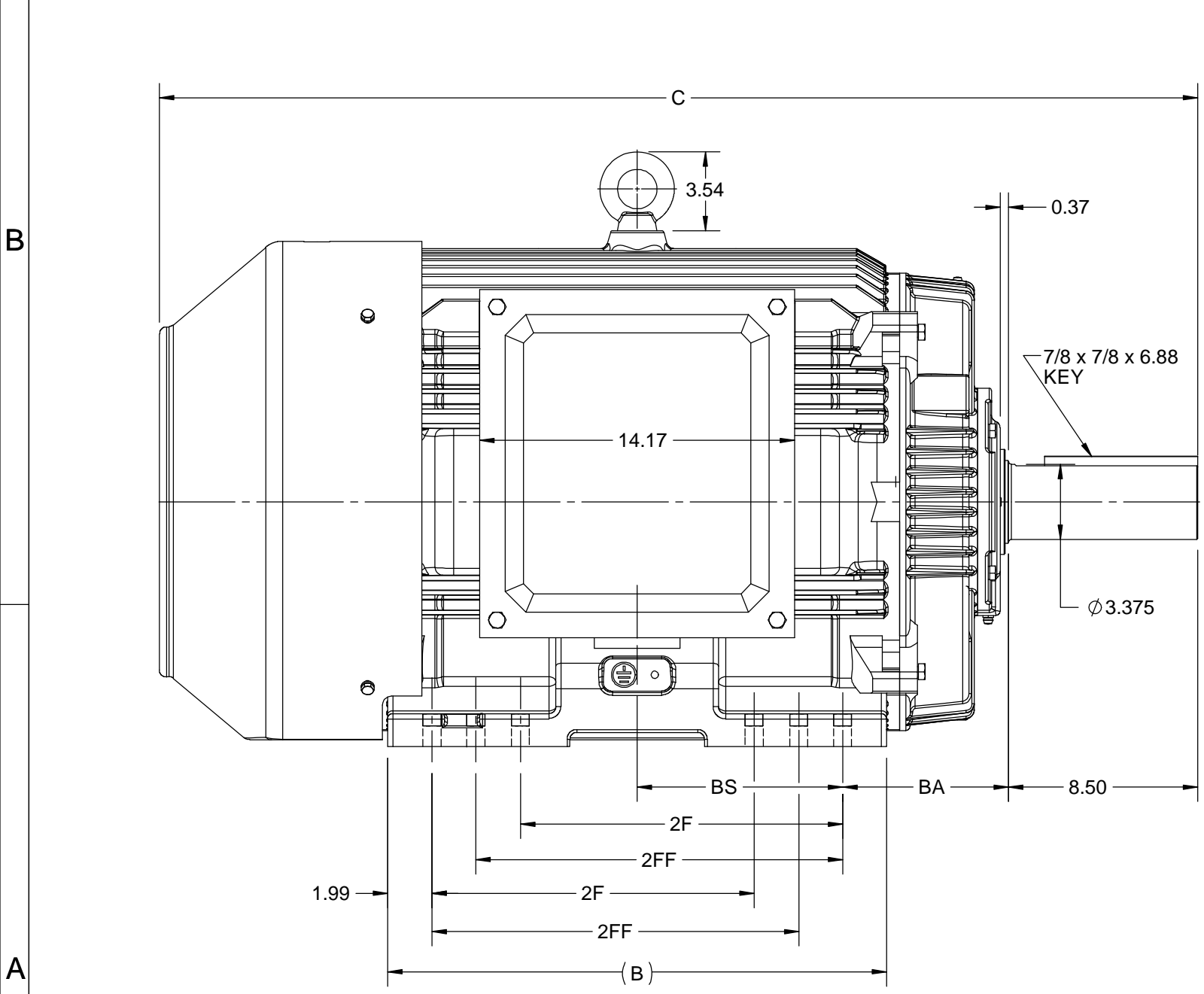
| | | | |
|------------------------|----------------|----------------------------|-----------------------------|
| Output HP | 100 Hp | Output KW | 75.0 kW |
| Frequency | 60 Hz | Voltage | 460 V |
| Current | 115.0 A | Speed | 1190 rpm |
| Service Factor | 1.15 | Phase | 3 |
| Efficiency | 95 % | Power Factor | 86 |
| Duty | Continuous | Insulation Class | H |
| Design Code | B | KVA Code | G |
| Frame | 444T | Enclosure | Totally Enclosed Fan Cooled |
| Thermal Protection | No Protection | Ambient Temperature | 40 °C |
| Drive End Bearing Size | NU319 | Opp Drive End Bearing Size | 6317 |
| UL | Listed | CSA | Y |
| CE | Y | IP Code | 55 |
| Hazardous Location | DIVISION 2 T2B | Number of Speeds | 1 |

Technical Specifications

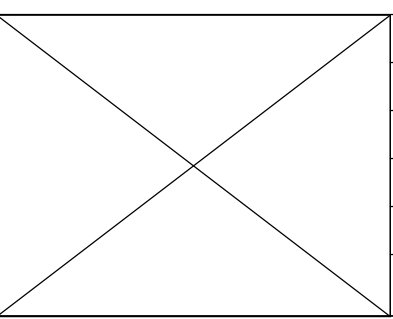
| | | | |
|-----------------------|------------------------------|--------------------|--------------------------------------------------|
| Electrical Type | Squirrel Cage Inverter Rated | Starting Method | Part Wdg Start & Wye Start Delta Run Or Inverter |
| Poles | 6 | Rotation | Selective Clockwise |
| Resistance Main | .0444 Ohms | Mounting | Rigid Base |
| Motor Orientation | Horizontal | Drive End Bearing | Roller |
| Opp Drive End Bearing | Ball | Frame Material | Cast Iron |
| Shaft Type | T | Shaft Diameter | 3.375 in |
| Assembly/Box Mounting | F1/F2 CAPABLE | | |
| Outline Drawing | SS557009 | Connection Drawing | EE7300BH |



This is an uncontrolled document once printed or downloaded and is subject to change without notice. Date Created:09/05/2022

| | | | | | | | | |
|-------|-------|------|-------|-------|-------|------|------|----------|
| 4 | | | | 3 | | | | |
| B | C | E | 2E | 2F | 2FF | BA | BS | MOUNTING |
| 22.44 | 46.71 | 9.00 | 18.00 | 14.50 | 16.50 | 7.50 | 9.24 | F1 OR F2 |



| | | |
|---------------------------------------------------------------------------------------------------------------------------------------------------------------------------------------------------------------------------------------------------------------------------------------------------------------------------------------------------------------------------------------------------------------------------------------------------------------------------------------------------------------------------------------------------------------------------------------------------------------------------------------------------------------------------------|----------------------|--------------------|
| DRAWING REVISION E | REVISION BY BISWA | DATE 12/10/2020 |
| ECO ECO-0195135 | APPROVED BY GNK | DATE 12/10/2020 |
| ECO DESCRIPTION | | |
| DRAWING UPDATED | | |
| <small>COPYRIGHT REGAL BELOIT AMERICA, INC. ALL RIGHTS RESERVED. PROPRIETARY AND CONFIDENTIAL INFORMATION - THIS DOCUMENT IS THE PROPERTY OF REGAL BELOIT AMERICA, INC. ("OWNER") AND CONTAINS OWNER'S PROPRIETARY INFORMATION. ANY PERSON, CORPORATION OR OTHER FIRM RECEIVING IT IS DEEMED, BY RECEIVING IT, TO AGREE THAT IT, AND/OR ANY PART OF IT, SHALL NOT BE DISCLOSED TO ANY PERSON, CORPORATION OR OTHER ENTITY, DUPLICATED, AND/OR USED, EXCEPT AS EXPRESSLY APPROVED IN WRITING IN ADVANCE BY OWNER. THIS DOCUMENT SHALL BE RETURNED TO OWNER UPON REQUEST. IT MAY BE SUBJECT TO CERTAIN RESTRICTIONS UNDER APPLICABLE EXPORT CONTROL LAWS AND REGULATIONS.</small> | | |



| | |
|--------------------------------------------------------------------------------------------------------------|------------------------------------------------------------------------------------------------------------------|
| DRAWN BY NIV |  Regal Beloit America, Inc. |
| DATE 25/03/2016 | |
| APPROVED BY SBD | DESCRIPTION OUTLINE 444/445T FR-TEFC |
| DATE 25/03/2016 | |
| REFERENCE | MATERIAL PROCESS/FINISH |
| THIRD ANGLE PROJECTION  | SIZE B |
| | DRAWING NUMBER SS557009 |
| | SHEET 1 OF 1 |



VIEW OF TERMINAL END

| | | | | TOLERANCES UNLESS SPECIFIED | | REGAL REGAL - BELOIT CORPORATION | DRAWN RJW 02-11-2005 | | | | |
|----------------------------------------------------------------------------------------------------------------------------------------------------------------------------------------------------------------------------------|------------------------------|-------------|----------------|-----------------------------|--------------|----------------------------------|----------------------|--------|----------------------|---------|--------|
| | | | | DEC. | INCHES | | CHK | ML | 02-11-2005 | | |
| | | | | .X | ±.1 | | APPD | GK | 02-11-2005 | | |
| | | | | .XX | ±.02 | TITLE CONNECTION DIAGRAM | | SCALE | | | |
| D | CHANGED TO REGAL TITLE BLOCK | ECO-0108299 | WGJ 08/22/2016 | EMH | .XXX ±.005 | 12 LEAD- SINGLE VOLTAGE | | REF | | | |
| 1 | ADDED IEC TERMINAL MARKINGS | CN 41429 | JJB 05/24/2007 | ML | .XXXX ±.0005 | MAT'L. | | FMF | | | |
| NO. | REVISION | BY & DATE | CHK | ANG | ±7'30" | FINISH | | PREV | | | |
| THIS DRAWING IN DESIGN AND DETAIL IS OUR PROPERTY AND MUST NOT BE USED EXCEPT IN CONNECTION WITH OUR WORK ALL RIGHTS OF DESIGN AND INVENTION ARE RESERVED THIS IS AN ELECTRONICALLY GENERATED DOCUMENT - DO NOT SCALE THIS PRINT | | | | | | RFP 02-11-2005 | CAD FILE ee7300bh | SIZE A | DRAWING NO. EE7300BH | PAGE OF | REV. C |
| | | | | | | DIST LB | | | | | |