

PRODUCT INFORMATION PACKET

marathon®
Motors

Model No: 444TTFCD6101

Catalog No: GT10129

Globetrotter® General Purpose Motor, 75 & 60 HP, 3 Ph, 60 & 50 Hz, 230/460 & 190/380 V,
900 & 750 RPM, 444T Frame, TEFC



Regal and Marathon are trademarks of Regal Rexnord Corporation or one of its affiliated companies.

©2023 Regal Rexnord Corporation, All Rights Reserved. MC017097E

RegalRexnord

Nameplate Specifications

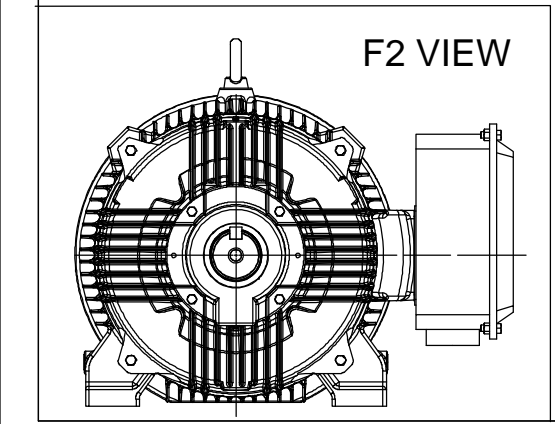
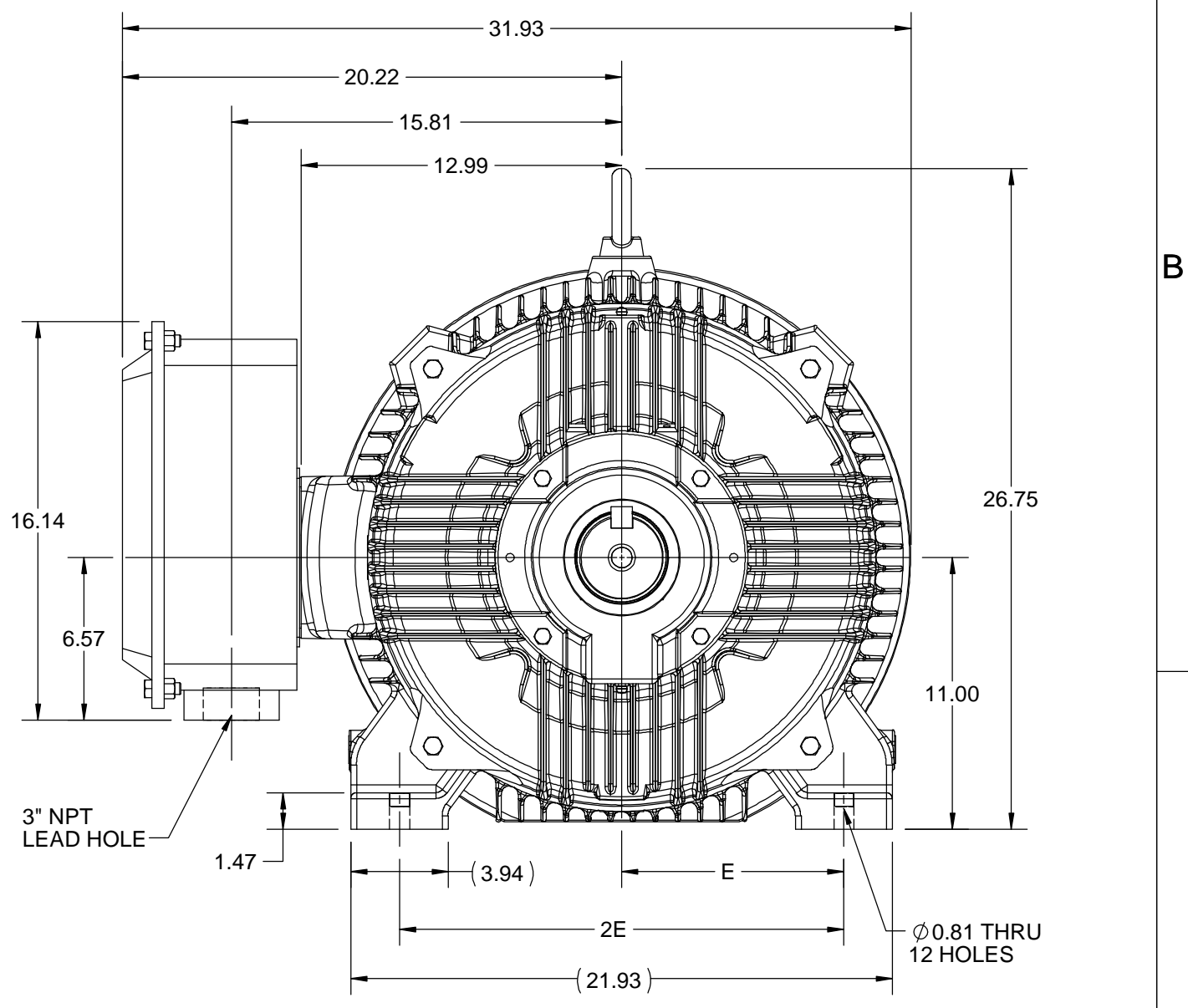
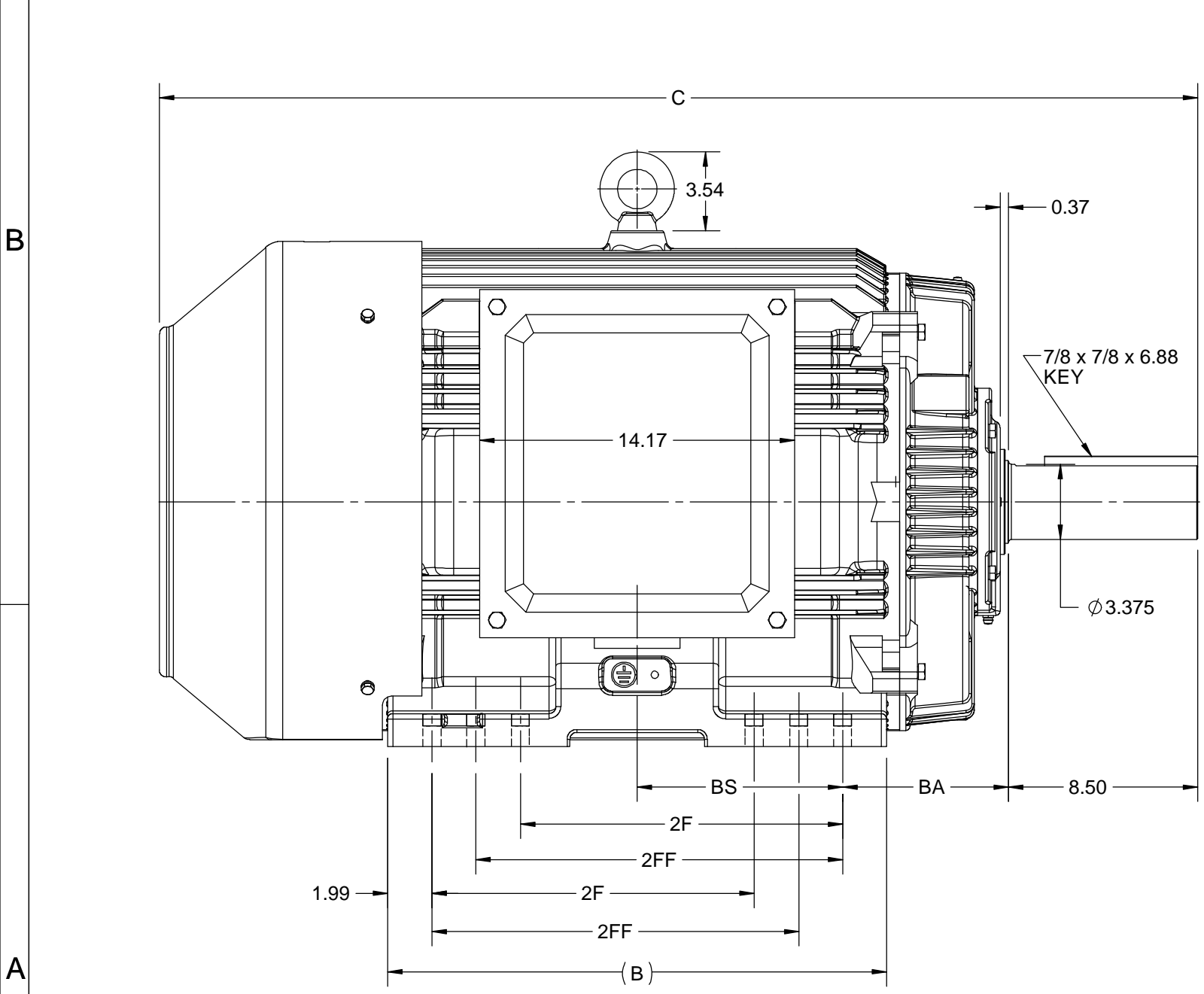
Phase	3	Output HP	75 & 60 Hp
Output KW	56.0 & 45.0 kW	Voltage	230/460 & 190/380 V
Speed	890 & 740 rpm	Service Factor	1.15 & 1.15
Frame	444T	Enclosure	Totally Enclosed Fan Cooled
Thermal Protection	No Protection	Efficiency	93.6 & 93.5 %
Ambient Temperature	40 °C	Frequency	60 & 50 Hz
Current	184/92 & 180/90 A	Power Factor	81
Duty	Continuous	Insulation Class	F
Design Code	B	KVA Code	G
Drive End Bearing Size	6319	Opp Drive End Bearing Size	6317
UL	Recognized	CSA	Y
CE	Y	IP Code	55
Number of Speeds	1		

Technical Specifications

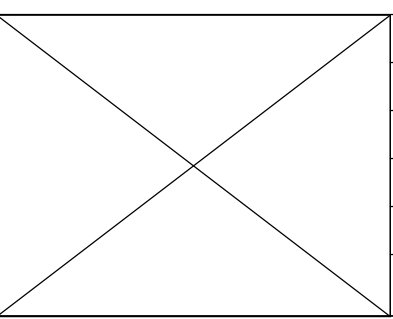
Electrical Type	Squirrel Cage Inverter Rated	Starting Method	Line Or Inverter
Poles	8	Rotation	Reversible
Resistance Main	.0601 Ohms	Mounting	Rigid Base
Motor Orientation	Horizontal	Drive End Bearing	Ball
Opp Drive End Bearing	Ball	Frame Material	Cast Iron
Shaft Type	T	Shaft Diameter	3.375 in
Assembly/Box Mounting	F1/F2 CAPABLE	Inverter Load	CONSTANT 2:1/VARIABLE 10:1
Outline Drawing	SS557009	Connection Drawing	EE7308FT

This is an uncontrolled document once printed or downloaded and is subject to change without notice. Date Created:06/23/2023

4			3			2			1		
B	C	E	2E	2F	2FF	BA	BS	MOUNTING			
22.44	46.71	9.00	18.00	14.50	16.50	7.50	9.24	F1 OR F2			



DRAWING REVISION E	REVISION BY BISWA	DATE 12/10/2020
ECO ECO-0195135	APPROVED BY GNK	DATE 12/10/2020
ECO DESCRIPTION		
DRAWING UPDATED		
<small>COPYRIGHT REGAL BELOIT AMERICA, INC. ALL RIGHTS RESERVED. PROPRIETARY AND CONFIDENTIAL INFORMATION - THIS DOCUMENT IS THE PROPERTY OF REGAL BELOIT AMERICA, INC. ("OWNER") AND CONTAINS OWNER'S PROPRIETARY INFORMATION. ANY PERSON, CORPORATION OR OTHER FIRM RECEIVING IT IS DEEMED, BY RECEIVING IT, TO AGREE THAT IT, AND/OR ANY PART OF IT, SHALL NOT BE DISCLOSED TO ANY PERSON, CORPORATION OR OTHER ENTITY, DUPLICATED, AND/OR USED, EXCEPT AS EXPRESSLY APPROVED IN WRITING IN ADVANCE BY OWNER. THIS DOCUMENT SHALL BE RETURNED TO OWNER UPON REQUEST. IT MAY BE SUBJECT TO CERTAIN RESTRICTIONS UNDER APPLICABLE EXPORT CONTROL LAWS AND REGULATIONS.</small>		

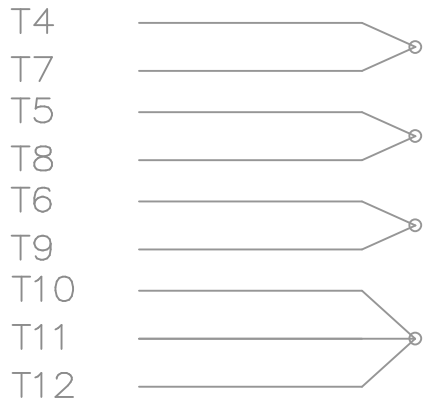
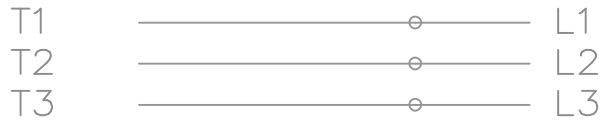


DRAWN BY NIV	REGAL ™ Regal Beloit America, Inc.
DATE 25/03/2016	
APPROVED BY SBD	DESCRIPTION OUTLINE 444/445T FR-TEFC
DATE 25/03/2016	
REFERENCE	MATERIAL PROCESS/FINISH
THIRD ANGLE PROJECTION	SIZE B
	DRAWING NUMBER SS557009
	SHEET 1 OF 1

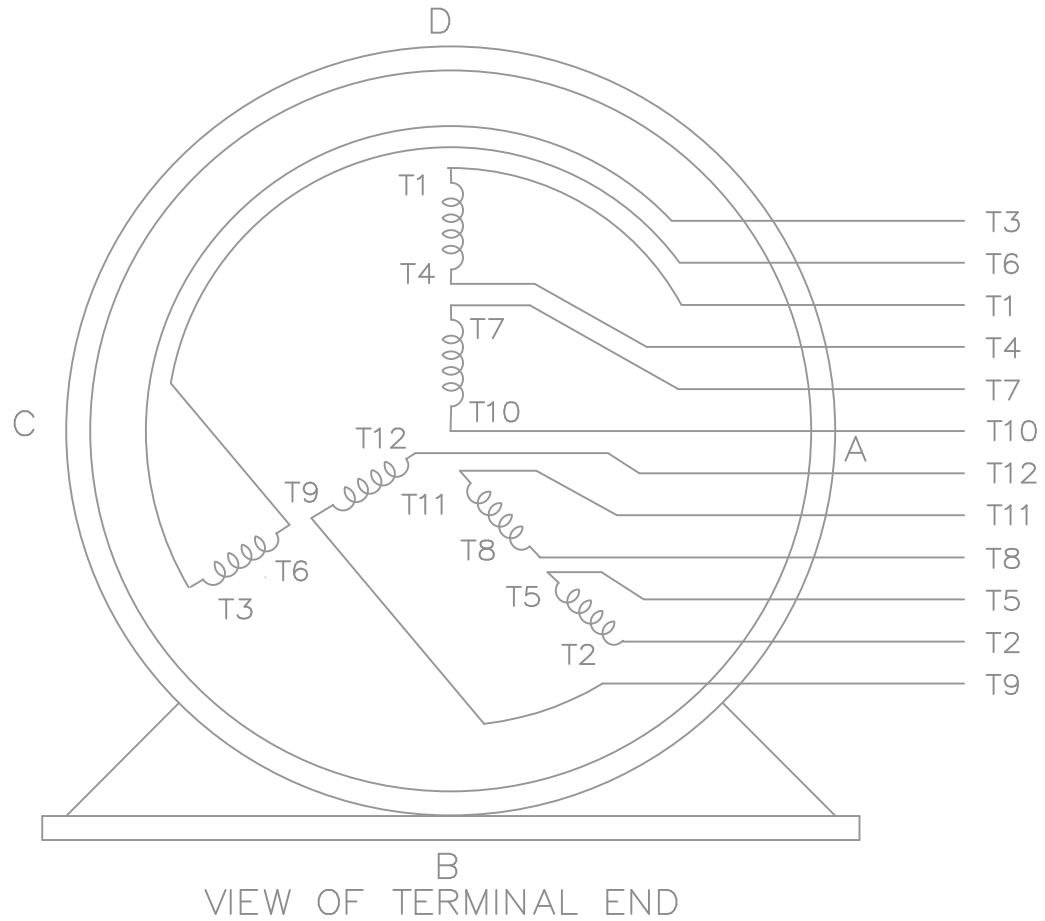
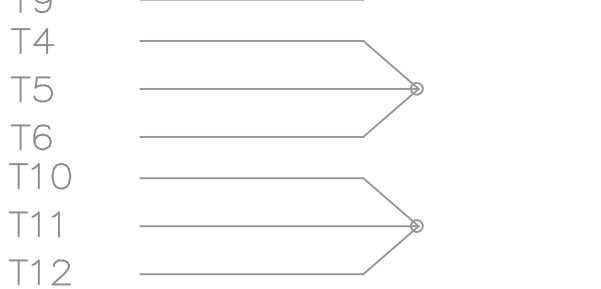
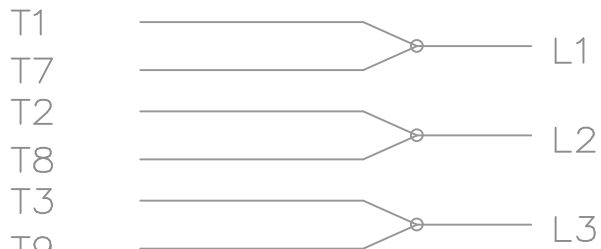
HIGH VOLTAGE


THREE PHASE
DUAL VOLTAGE MOTOR

EE7308FT



LOW VOLTAGE



				TOLERANCES UNLESS SPECIFIED		 REGAL-BELOIT CORPORATION	DRAWN JJB 06-05-2007			
				DEC.	INCHES		CHK ML 06-05-2007			
				.X	± -		APPD BW 06-05-2007			
				.XX	± -	TITLE CONNECTION DIAGRAM	SCALE			
				.XXX	± -	3Ø - DUAL VOLTAGE MOTOR	REF			
1	NEW DRAWING	MU79979	JJB 06/05/2007	.XXXX	± -	MAT'L.	FMF			
NO.	REVISION	BY & DATE	CHK	ANG	± -	FINISH	PREV			
THIS DRAWING IN DESIGN AND DETAIL IS OUR PROPERTY AND MUST NOT BE USED EXCEPT IN CONNECTION WITH OUR WORK ALL RIGHTS OF DESIGN AND INVENTION ARE RESERVED THIS IS AN ELECTRONICALLY GENERATED DOCUMENT - DO NOT SCALE THIS PRINT				RFP	CAD FILE EE7308FT		SIZE A	DRAWING NO. EE7308FT	PAGE OF	REV. 1
				DIST	WA-LB-WP-LM					



P.O. BOX 8003
 WAUSAU, WI 54401-8003
 PH. 715-675-3311

DATA VOLTS: 460

CERTIFICATION DATA SHEET

CUSTOMER:
 ORDER #:
 CONN. DIAGRAM: EE7308FT
 OUTLINE: SS557009
 WINDING: HA32808002 NONE 4
 SPEED: _____

CUSTOMER P.O. #:
 REFERENCE MODEL #: 444TFC06101
 CAT #: GT10129
 CUSTOMER PART #:
 MOUNTING: F1/F2 CAPABLE

TYPICAL MOTOR PERFORMANCE DATA

HP	KW	SYNC RPM	FL RPM	FRAME	ENCLOSURE	TYPE	KVA CODE	DESIGN
75	56	900	890	444T	TEFC	TFN	G	B

PH	HZ	VOLTS	AMPS	START TYPE	DUTY	INSL	S.F.	AMB	ELEV.
3	60/50	230/460#190/380	184/92&180/90	LINE OR INVERTER	CONT	F	1.15	40	3300

F.L. EFF	3/4 LD EFF	1/2 LD EFF	GTD EFF	ELECT. TYPE
93.6	93.6	93.0	93.0	SQ CAGE INV RATED
F.L. PF	3/4 LD PF	1/2 LD PF		
81.0	77.5	69.0		

F.L. TORQUE	LR AMPS @ 460 V	L.R. TORQUE	B.D. TORQUE	F.L. RISE (°C)
440 LB-FT	530	750 LB-FT	910 LB-FT	60
		170%	207%	

SOUND PRESSURE @ 3 FT.	SOUND	POWER	ROTOR WK ²	MAX. LOAD WK ²	SAFE STALL TIME	STARTS/HOUR	APROX.	MOTOR WGT
72 dBA	81 dBA		92.76 LB-FT ²	595 LB-FT ²	60 SEC.	2	1794 LB.	

***** SUPPLEMENTAL INFORMATION *****

DE BRACKET TYPE	ODE BRACKET TYPE	MOUNT TYPE	MOTOR ORIENTATION	SEVERE DUTY	HAZARDOUS LOCATION	DRIP COVER	SCREENS	PAINT
STANDARD	STANDARD	RIGID	HORIZONTAL	NO	NONE	YES	NONE	BLUE (ENAMEL)

DE	ODE	GREASE	SHAFT TYPE	SPECIAL DE	SPECIAL ODE	SHAFT MATERIAL	FRAME MATERIAL
BALL	BALL	POLYREX EM	T	NONE	NONE	1045 HOT ROLLED (C-204)	CAST IRON
6319	6317						

THERMOSTATS	PROTECTORS	WDG RTD's	BRG RTD's	THERMISTORS	CONTROL	SPACE HEATERS
NONE	NOT	NONE	NONE	NONE	FALSE	NA

R1 (ohms/ph)	R2 (ohms/ph)	X1 (ohms/ph)	X2 (ohms/ph)	Xm (ohms/ph)	VIBRATION (in/sec)	FLOAT
0.039	0.03	0.289	0.539	7.364	0.150	ODE

NOTES	INVERTER TORQUE: CONSTANT 2:1/VARIABLE 10:1					
	INV. HP SPEED RANGE: NONE					
	ENCODER: NONE					
	NONE PPR					

PREPARED BY:	DATE: 11/17/2021				
BRAKE: NONE					
FT-LB: NA					
VOLTAGE: NONE					HZ:
UL: V - L1ME-INS.CONST UL REC					

FORM: 3531 REV. 4 2/27/06

EC Declaration of Conformity

The undersigned representing
the manufacturer:

Regal Beloit America
100 East Randolph St.
Wausau, WI 54401

and the authorized representative
established within the Community:

Marathon Electric UK
6F Thistleton Road Ind. Estate
Market Overton
Oakham, Rutland LE15 7PP UK

are committed to providing customers with products that comply with applicable regulations and international protocols to which they are subject, including the requirements of the European Parliament Directive on the Harmonization of the laws relating to electrical equipment designed for use within certain voltage limits (2014/35/EU).

Regal Beloit America declares that the following product(s), to which this declaration relates, are in conformity with the relevant sections of the EC standards listed below.

This statement supersedes any statements previously issued pertaining to the product(s) listed below and is subject to change without notice.

Model No : 444TTFCD6101

(Model No. may contain prefix and/or suffix characters)

Catalog No : GT10129

Rework No : N/A

Directives :

Low Voltage Directive 2014/35/EU

Harmonized Standards Used :

EN 60034-1: 2010 (IEC 60034-1: 2010)

EN 60034-5: 2001/A1:2007 (IEC 60034-5: 2000/A1:2006)

Authorized Representative:



Michael A. Logsdon
Vice President, Technology

Authorized Representative in the Community:



Julian Clark
Marketing Engineer

Created on 09/07/2022

CE 22