

PRODUCT INFORMATION PACKET

Model No: 444TSTFN16003
Catalog No: 444TSTFN16003
125,3600,TEFC,444TS,3/60/460

Regal and are trademarks of Regal Rexnord Corporation or one of its affiliated companies.
©2022 Regal Rexnord Corporation, All Rights Reserved. MC017097E



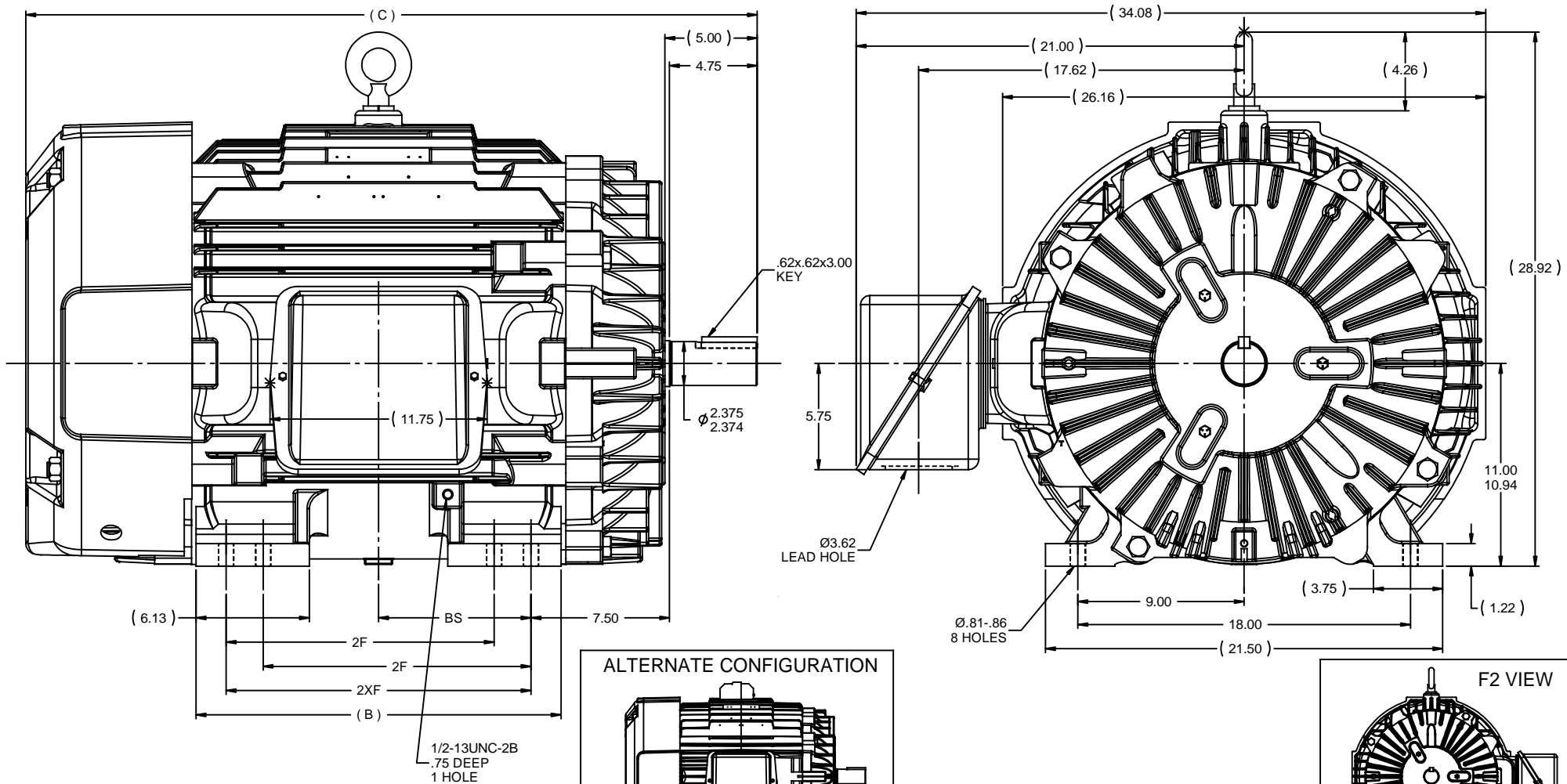
Nameplate Specifications

Output HP	125 Hp	Output KW	93.0 kW
Frequency	60 Hz	Voltage	460 V
Current	142.0 A	Speed	3575 rpm
Service Factor	1.15	Phase	3
Efficiency	95 %	Power Factor	87
Duty	Continuous	Insulation Class	F
Design Code	B	KVA Code	G
Frame	444TS	Enclosure	Totally Enclosed Fan Cooled
Thermal Protection	No Protection	Ambient Temperature	40 °C
Drive End Bearing Size	6313	Opp Drive End Bearing Size	6313
UL	Recognized	CSA	Y
CE	Y	IP Code	43
Number of Speeds	1		

Technical Specifications

Electrical Type	Squirrel Cage Inverter Rated	Starting Method	Line Or Inverter
Poles	2	Rotation	Reversible
Resistance Main	.036 Ohms	Mounting	Rigid Base
Motor Orientation	Horizontal	Drive End Bearing	Ball
Opp Drive End Bearing	Ball	Frame Material	Cast Iron
Shaft Type	TS	Assembly/Box Mounting	F1/F2 CAPABLE
Inverter Load	VARIABLE 10:1		
Outline Drawing	B-SS514023-1825	Connection Drawing	A-EE7300S

This is an uncontrolled document once printed or downloaded and is subject to change without notice. Date Created:09/02/2022



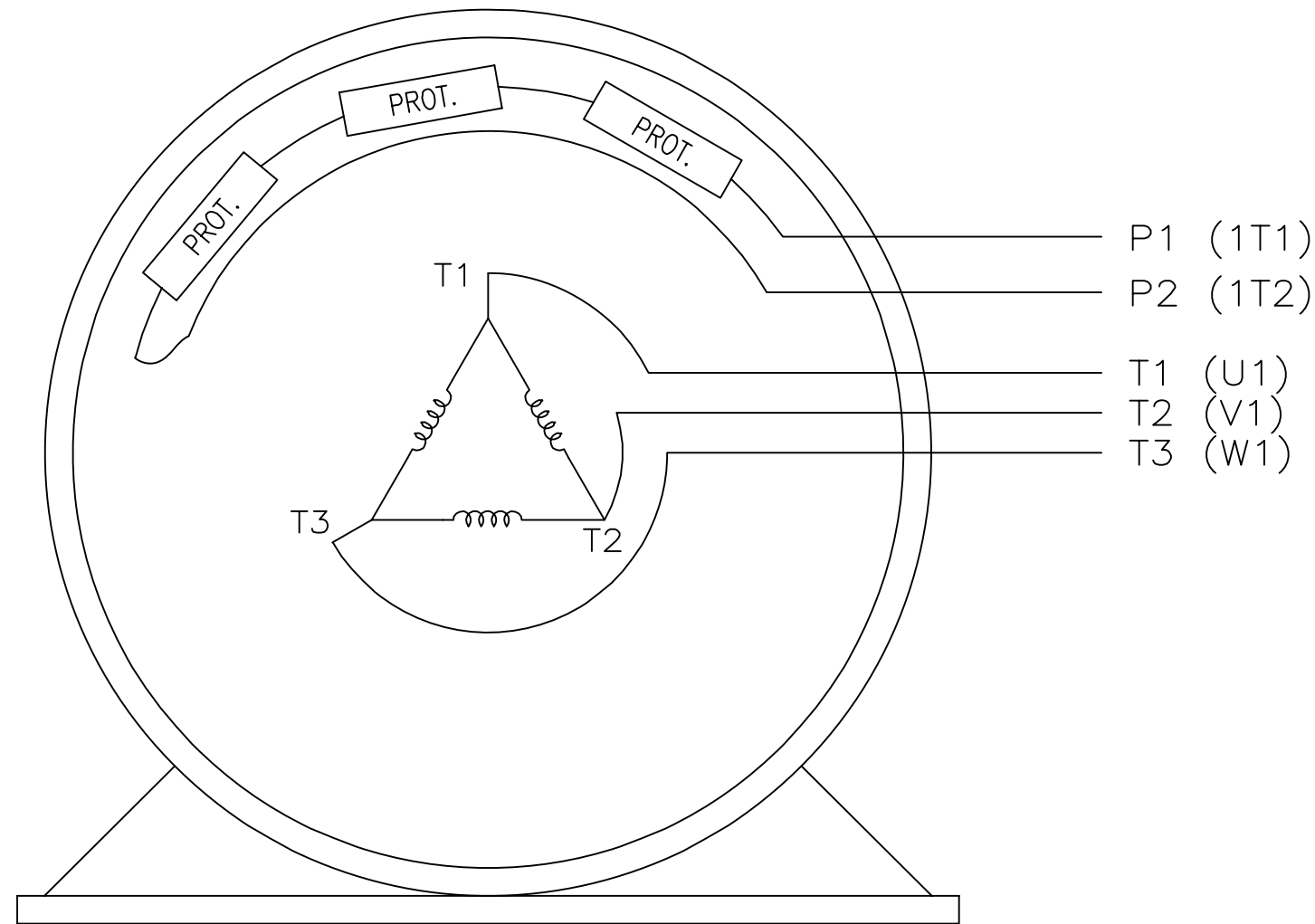
- NOTES:
 1. CONDUIT BOX CAN BE ROTATED IN 90° STEPS.
 2. CONDUIT BOX CAN BE MOUNTED ON OPPOSITE SIDE BY REMOVING BRACKETS AND TURNING FRAME 180°.
 3. NAMEPLATES TO BE READ FROM CONDUIT BOX SIDE OF MOTOR.

DASH	FRAME	B	C	2F	2XF	BS	NO	REVISION	BY & DATE	CHK	ANG	FINISH	SIZE	DRAWING NO	REV
1825	444TS	17.75	37.60	14.50	- - -	7.25	10	CORRECTED C'BOX DIM., 5.75 WAS 5.56 ISAAC 09-5049	JJB 2/4/2011				B	SS514023	10
2025	444/445TS	19.75	39.60	14.50	16.50	8.25	9	UPDATED WITH NEW FRAME, 28.92 DIMENSION WAS 26.52. ADDED PREVIOUS CONFIG. & F2 VIEW PER ISAAC 09-5049	JJB 12/16/2008	MH	x	±.1			
							8	CHG. FAN GUARD & REV. C DIM. PER CN 39335	RWR 01/22/2007	ML	XX	±.03			
							7	REVISED LEAD DIM FROM Ø4.12 PER CN 32179	CTO 03/24/2003	ML	XXX	±.005			
							6	REISSUE - 26.52 DIMENSION WAS 24.19 CN 21946	KL 05/19/1999		XXX	±.0005			
										TOLERANCES UNLESS SPECIFIED:		MARATHON ELECTRIC		DRAWN RM 06-25-1991	
										DEC INCHES		TITLE OUTLINE		CHK TLB 06-25-1991	
										RFP 06-25-1991		444/445TS FR. - TEFC - STD.		APPR ML 06-25-1991	
										NETWORK FILE NAME SS514023		SCALE 1:5.25		REF	
										REV		PAGE OF		REV	

EE7300S

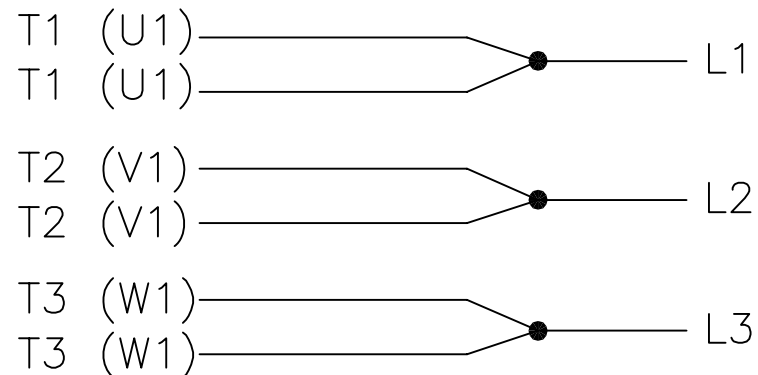
THREE PHASE – SINGLE VOLTAGE MOTOR

TO REVERSE ROTATION:
INTERCHANGE ANY TWO LINE
LEAD CONNECTIONS




VIEW OF TERMINAL END

IF MOTOR HAS MULTIPLE
T'S PER LEAD CONNECT
TOGETHER LIKE T'S



A-9806 DECAL

NO.	REVISION	BY & DATE	CHK	TOLERANCES UNLESS SPECIFIED			REGAL-BELOIT CORPORATION	DRAWN KL 12-15-1999		
				DEC.	INCHES				CHK DJK 12-15-1999	
F	UPDATED TITLE BLOCK	HV 02-27-2014	EWH	.X	±	-	 REGAL-BELOIT CORPORATION TITLE CONNECTION DIAGRAM – EXTERNAL SINGLE VOLTAGE 3Ø MOTOR MAT'L. FINISH	APPD DJK 12-15-1999		
3	REMOVED "N.C." FROM PROT.'S MU61770	JJB 08-02-2010		.XX	±	-		SCALE 1=1		
2	ADDED IEC MARKINGS MU61770	KL 09-16-2004	EAB	.XXX	±	-		REF		
1	NEW DRAWING	KL 12-16-1999		.XXXX	±	-		FMF		
				ANG	±	-		PREV		
THIS DRAWING IN DESIGN AND DETAIL IS OUR PROPERTY AND MUST NOT BE USED EXCEPT IN CONNECTION WITH OUR WORK ALL RIGHTS OF DESIGN AND INVENTION ARE RESERVED THIS IS AN ELECTRONICALLY GENERATED DOCUMENT – DO NOT SCALE THIS PRINT				RFP	CAD FILE ee7300s		SIZE A	DRAWING NO. EE7300S	PAGE OF	REV. F
				DIST	WA-LB-SB					