

PRODUCT INFORMATION PACKET

Model No: 444TSTFCD6036

Catalog No: GT1064

Globetrotter® General Purpose Motor, 125 & 100 HP, 3 Ph, 60 & 50 Hz, 460 & 380 V, 1800 & 1500 RPM,
444TS Frame, TEFC



Regal and Marathon are trademarks of Regal Rexnord Corporation or one of its affiliated companies.
©2024 Regal Rexnord Corporation, All Rights Reserved. MC017097E

Nameplate Specifications

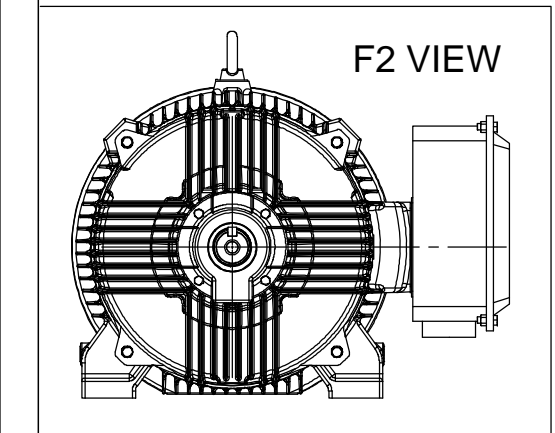
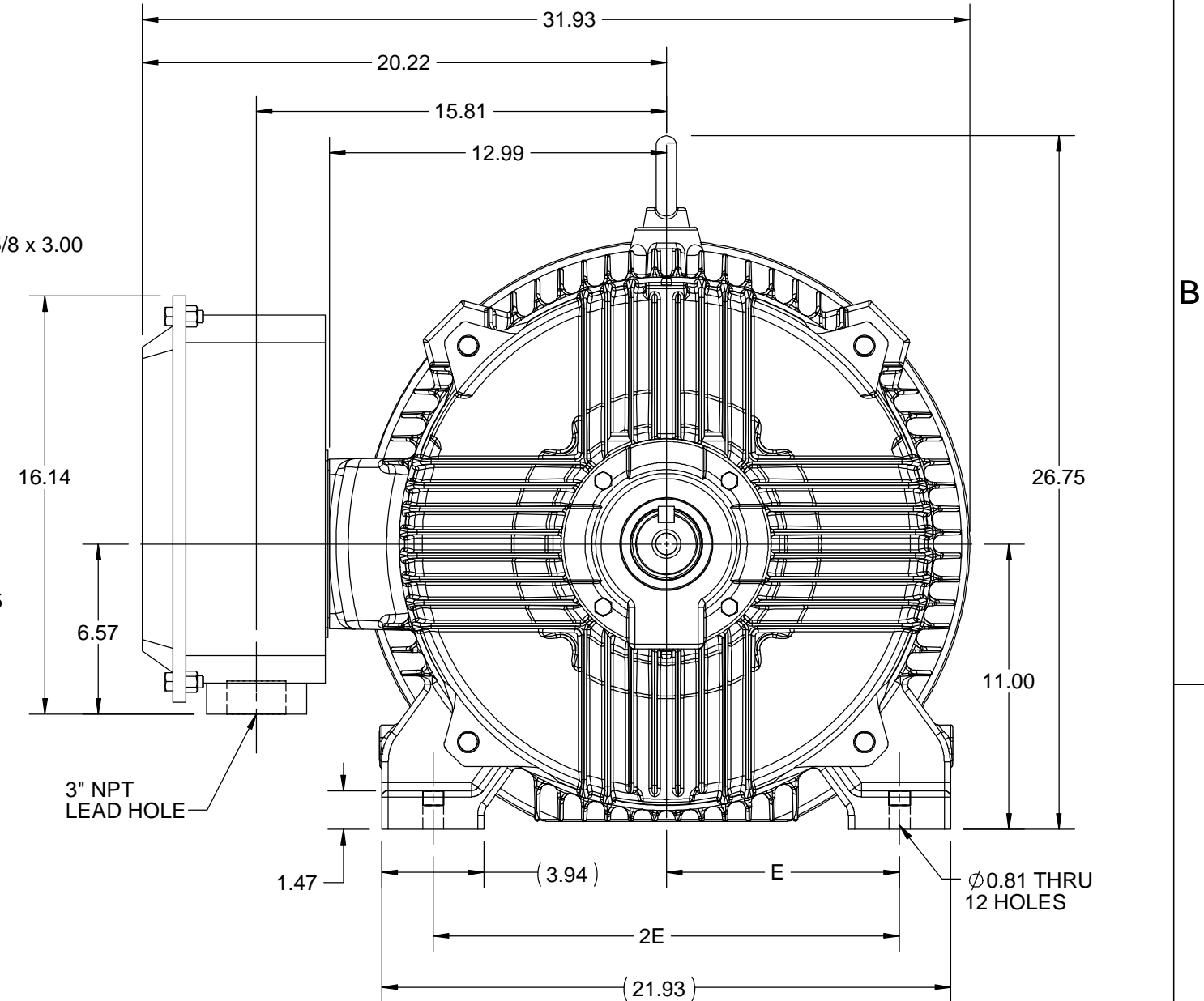
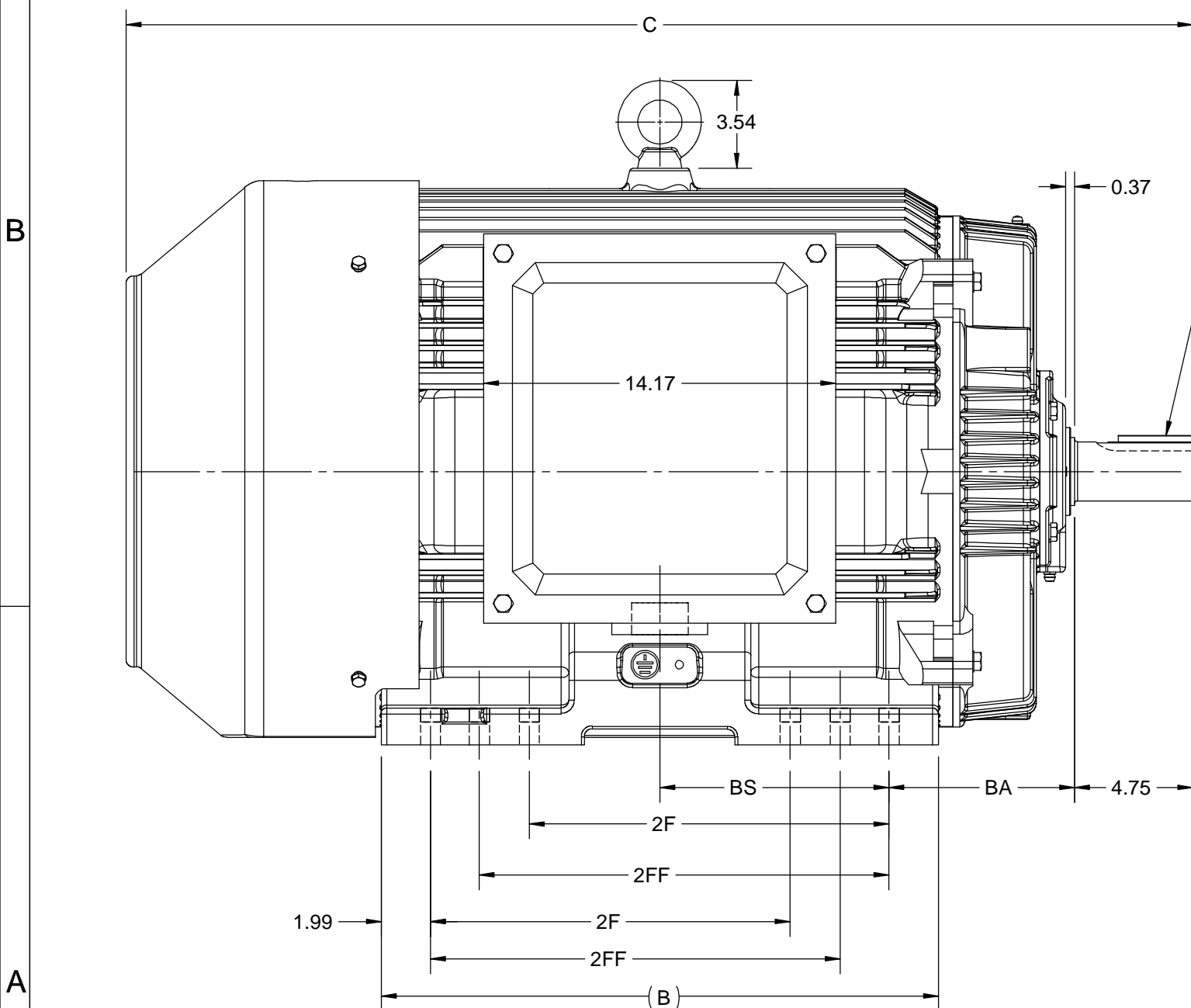
Phase	3	Output HP	125 & 100 Hp
Output KW	93.0 & 75.0 kW	Voltage	460 & 380 V
Speed	1790 & 1490 rpm	Service Factor	1.15 & 1.15
Frame	444TS	Enclosure	Totally Enclosed Fan Cooled
Thermal Protection	No Protection	Efficiency	95.4 & 95.2 %
Ambient Temperature	40 °C	Frequency	60 & 50 Hz
Current	140 & 136 A	Power Factor	87
Duty	Continuous	Insulation Class	F
Design Code	B	KVA Code	G
Drive End Bearing Size	6319	Opp Drive End Bearing Size	6317
UL	Listed	CSA	Y
CE	Y	IP Code	55
Number of Speeds	1	Hazardous Location	DIVISION 2 T2B

Technical Specifications

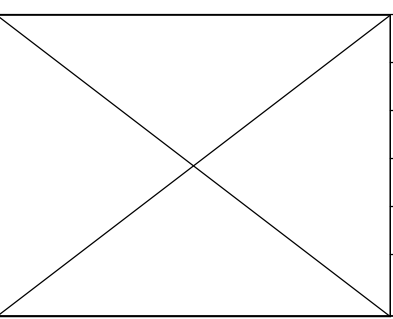
Electrical Type	Squirrel Cage Inverter Rated	Starting Method	Part Wdg Start Or Inverter
Poles	4	Rotation	Reversible
Resistance Main	.0374 Ohms	Mounting	Rigid Base
Motor Orientation	Horizontal	Drive End Bearing	Ball
Opp Drive End Bearing	Ball	Frame Material	Cast Iron
Shaft Type	TS	Overall Length	42.96 in
Frame Length	23.62 in	Shaft Diameter	2.375 in
Shaft Extension	4.75 in	Assembly/Box Mounting	F1/F2 CAPABLE
Inverter Load	CONSTANT 2:1/VARIABLE 10:1		
Outline Drawing	SS557008	Connection Drawing	EE7341C



This is an uncontrolled document once printed or downloaded and is subject to change without notice. Date Created:10/18/2024

4			3					2	1
B	C	E	2E	2F	2FF	BA	BS	MOUNTING	
22.44	42.96	9.00	18.00	14.50	16.50	7.50	9.23	F1 OR F2	



DRAWING REVISION E	REVISION BY BISWA	DATE 30/11/2020
ECO ECO-0195277	APPROVED BY GNK	DATE 30/11/2020
ECO DESCRIPTION		
DRAWING UPDATED		
<small>COPYRIGHT REGAL BELOIT AMERICA, INC. ALL RIGHTS RESERVED. PROPRIETARY AND CONFIDENTIAL INFORMATION - THIS DOCUMENT IS THE PROPERTY OF REGAL BELOIT AMERICA, INC. ("OWNER") AND CONTAINS OWNER'S PROPRIETARY INFORMATION. ANY PERSON, CORPORATION OR OTHER FIRM RECEIVING IT IS DEEMED, BY RECEIVING IT, TO AGREE THAT IT, AND/OR ANY PART OF IT, SHALL NOT BE DISCLOSED TO ANY PERSON, CORPORATION OR OTHER ENTITY, DUPLICATED, AND/OR USED, EXCEPT AS EXPRESSLY APPROVED IN WRITING IN ADVANCE BY OWNER. THIS DOCUMENT SHALL BE RETURNED TO OWNER UPON REQUEST. IT MAY BE SUBJECT TO CERTAIN RESTRICTIONS UNDER APPLICABLE EXPORT CONTROL LAWS AND REGULATIONS.</small>		



DRAWN BY NIV	 Regal Beloit America, Inc.
DATE 29/03/2015	
APPROVED BY SBD	DESCRIPTION OUTLINE 444/445TS FR-TEFC
DATE 29/03/2015	MATERIAL
REFERENCE	PROCESS/FINISH
THIRD ANGLE PROJECTION 	SIZE B
	DRAWING NUMBER SS557008
	SHEET 1 OF 1

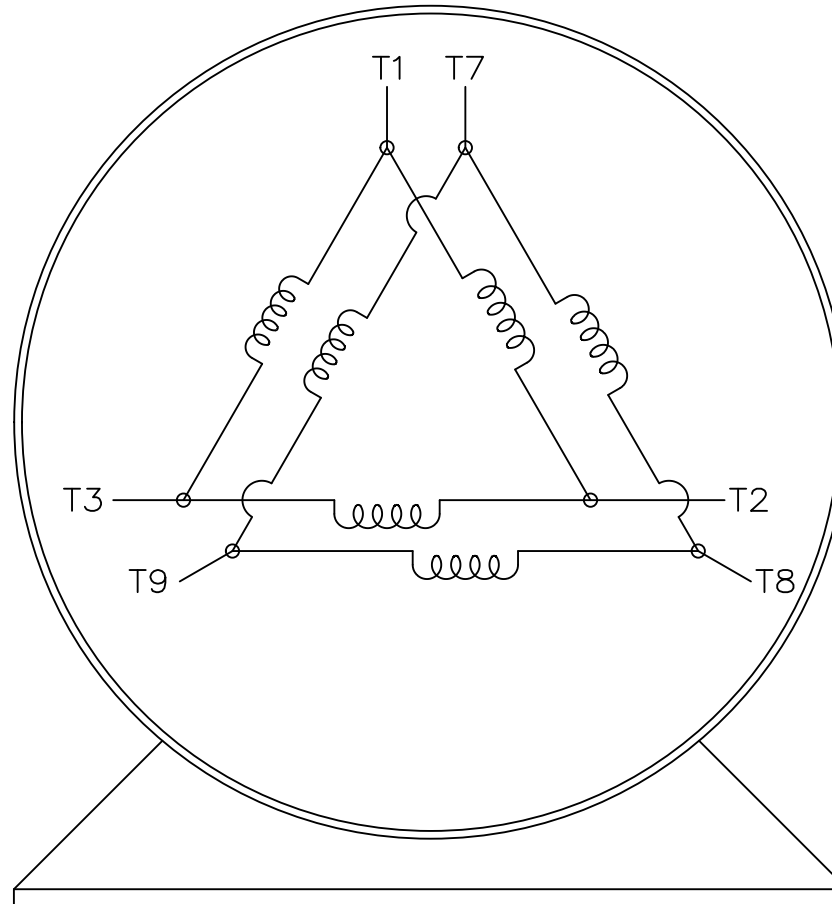
THREE PHASE – PART WINDING START
DELTA – 6 LEADS

START

CONNECT T1 TO LINE 1
CONNECT T2 TO LINE 2
CONNECT T3 TO LINE 3
T7-T8-T9 OPEN

RUN

CONNECT T1&T7 TO LINE 1
CONNECT T2&T8 TO LINE 2
CONNECT T3&T9 TO LINE 3



VIEW OF TERMINAL END

IF MOTOR HAS 2 T'S

START

CONNECT T1,T1 TO LINE 1
CONNECT T2,T2 TO LINE 2
CONNECT T3,T3 TO LINE 3
T7,T7-T8,T8-T9,T9 OPEN

RUN

CONNECT T1,T1&T7,T7 TO LINE 1
CONNECT T2,T2&T8,T8 TO LINE 2
CONNECT T3,T3&T9,T9 TO LINE 3

				TOLERANCES UNLESS SPECIFIED		REGAL REGAL-BELOIT CORPORATION		DRAWN	BLR	03-09-1998		
				DEC.	INCHES			CHK	ML	03-23-1998		
				.X	±	-			APPD	GK	03-23-1998	
				.XX	±	-	TITLE	CONNECTION DIAGRAM		SCALE	1=1	
				.XXX	±	-		3ø - 6 LEADS		REF		
E	NOTE ADDED FOR 2 T'S	NAR 17-12-2020	RC	.XXX	±	-	MAT'L.			FMF		
D	RE-DRAWN WITH REGAL LOGO ECO-0110493	WGJ 09-30-2016	EMH	.XXXX	±	-	FINISH			PREV		
NO.	REVISION	BY & DATE	CHK	ANG	±	-						
THIS DRAWING IN DESIGN AND DETAIL IS OUR PROPERTY AND MUST NOT BE USED EXCEPT IN CONNECTION WITH OUR WORK ALL RIGHTS OF DESIGN AND INVENTION ARE RESERVED THIS IS AN ELECTRONICALLY GENERATED DOCUMENT - DO NOT SCALE THIS PRINT				RFP	CAD FILE EE7341C			SIZE	DRAWING NO.	PAGE	OF	REV.
				DIST				A	EE7341C			E



**P.O. BOX 8003
WAUSAU, WI 54401-8003
PH. 715-675-3311**

CERTIFICATION DATA SHEET

CUSTOMER:

CUSTOMER

ORDER #:

PO#:

CONN. DIAGRAM: EE7341C

MODEL #: 444TSTFCD6036 AA

OUTLINE: SS557008

CUSTOMER PART

WINDING #: HE32804010 1

#:

MOUNTING: F1/F2 CAPABLE

TYPICAL MOTOR PERFORMANCE DATA

HP	kW	SYNC. RPM	F.L. RPM	FRAME	ENCLOSURE	KVA CODE	DESIGN
125&100	93.0&75.0	1800	1790&1490	444TS	TEFC	G	B

PH	Hz	VOLTS	AMPS	START TYPE	DUTY	INSL	S.F.	AMB°C
3	60/50	460&380	140&136	PWS OR INVERTER	CONTINUOUS	F7	1.15/1.15	40

FULL LOAD EFF:	95.4&95.2	3/4 LOAD EFF:	95.4	1/2 LOAD EFF:	95	GTD. EFF	95	ELEC. TYPE	SQ CAGE INV RATED
FULL LOAD PF:	87.5&87.5	3/4 LOAD PF:	84.2	1/2 LOAD PF:	77	95			

F.L. TORQUE	LOCKED ROTOR AMPS	L.R. TORQUE	B.D. TORQUE	F.L. RISE°C
367 LB-FT	905	679 LB-FT 185 %	991 LB-FT 270 %	55

SOUND PRESSURE @ 3 FT.	SOUND POWER	ROTOR WK^2	MAX. WK^2	SAFE STALL TIME	STARTS / HOUR	APPROX. MOTOR WGT
66 dBA	76 dBA	60 LB-FT^2	750 LB-FT^2	25 SEC.	2	1909 LBS.

***** SUPPLEMENTAL INFORMATION *****

DE BRACKET TYPE	ODE BRACKET TYPE	MOUNT TYPE	ORIENTATION	SEVERE DUTY	HAZARDOUS LOCATION	DRIP COVER	SCREENS	PAINT
STANDARD	STANDARD	RIGID	HORIZONTAL	FALSE	DIVISION 2 T2B	FALSE	NONE	BLUE (EPOXY)

BEARINGS		GREASE	SHAFT TYPE	SPECIAL DE	SPECIAL ODE	SHAFT MATERIAL	FRAME MATERIAL
DE	ODE						
BALL	BALL	POLYREX EM	TS	NONE	NONE	1045 HOT ROLLED (C-204)	CAST IRON
6319	6317						

THERMO-PROTECTORS				THERMISTORS	CONTROL	SPACE HEATERS
THERMOSTATS	PROTECTORS	WDG RTDs	BRG RTDs			
NONE	NOT	NONE	NONE	NONE	FALSE	NONE VOLTS

*
N
O
T
E
S
*

INVERTER TORQUE: CONSTANT 20:1/VARIABLE 20:1
INV. HP SPEED RANGE: NONE
ENCODER: NONE NONE NONE NONE NONE PPR
BRAKE: NONE NONE NONE P/N NONE NONE NONE NONE FT-LB NONE V NONE Hz

PREPARED BY: Anusha Muthyala
DATE: 09/24/2019 01:52:11 AM
FORM 3531 REV.3 02/07/99
** Subject to change without notice.

MARATHON ELECTRIC CORPORATION

TYPICAL PERFORMANCE CURVE for AC MOTOR

Customer

Curve at

460

Volts

HP 125&100

PHASE 3

Model No 444TSTFCD6036

60

HZ

VOLTS 460&380

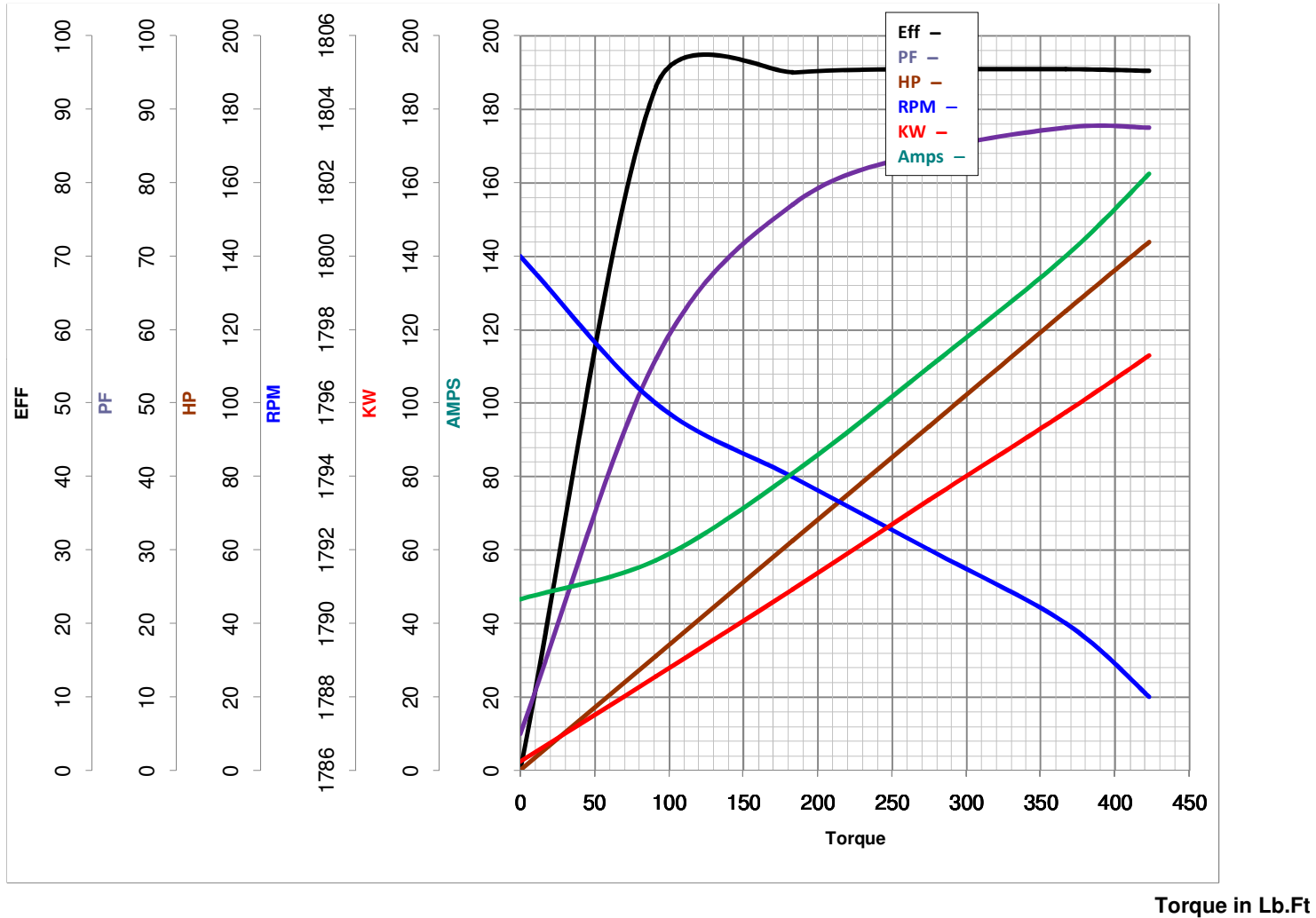
Catalog No GT1064

125

HP

HZ 60&50

RPM 1790&1490



FL TORQUE 367 Lb.Ft
 BD TORQUE 991.0 Lb.Ft
 LR TORQUE 679 Lb.Ft

FL AMPS 140
 PU TORQUE 570.0 Lb.Ft
 LR AMPS 905

WINDING HE32804010-1 Prepared By FAREEDA

Date 5/4/2018

EC Declaration of Conformity

The undersigned representing
the manufacturer:

Regal Beloit America
100 East Randolph St.
Wausau, WI 54401

and the authorized representative
established within the Community:

Marathon Electric UK
6F Thistleton Road Ind. Estate
Market Overton
Oakham, Rutland LE15 7PP UK

are committed to providing customers with products that comply with applicable regulations and international protocols to which they are subject, including the requirements of the European Parliament Directive on the Harmonization of the laws relating to electrical equipment designed for use within certain voltage limits (2014/35/EU).

Regal Beloit America declares that the following product(s), to which this declaration relates, are in conformity with the relevant sections of the EC standards listed below.

This statement supersedes any statements previously issued pertaining to the product(s) listed below and is subject to change without notice.

Model No : 444TSTFCD6036

(Model No. may contain prefix and/or suffix characters)

Catalog No : GT1064

Rework No : N/A

Directives :

Low Voltage Directive 2014/35/EU

Harmonized Standards Used :

EN 60034-1: 2010 (IEC 60034-1: 2010)

EN 60034-5: 2001/A1:2007 (IEC 60034-5: 2000/A1:2006)

Authorized Representative:



Michael A. Logsdon
Vice President, Technology

Authorized Representative in the Community:



Julian Clark
Marketing Engineer

Created on 09/01/2022

CE 22