

# PRODUCT INFORMATION PACKET

Model No: 444TSTDS4026

Catalog No: E792

Other Purpose Motor, 150 HP, 3 Ph, 60 Hz, 460 V, 1800 RPM, 444TS Frame, DP

Regal and are trademarks of Regal Rexnord Corporation or one of its affiliated companies.  
©2022 Regal Rexnord Corporation, All Rights Reserved. MC017097E



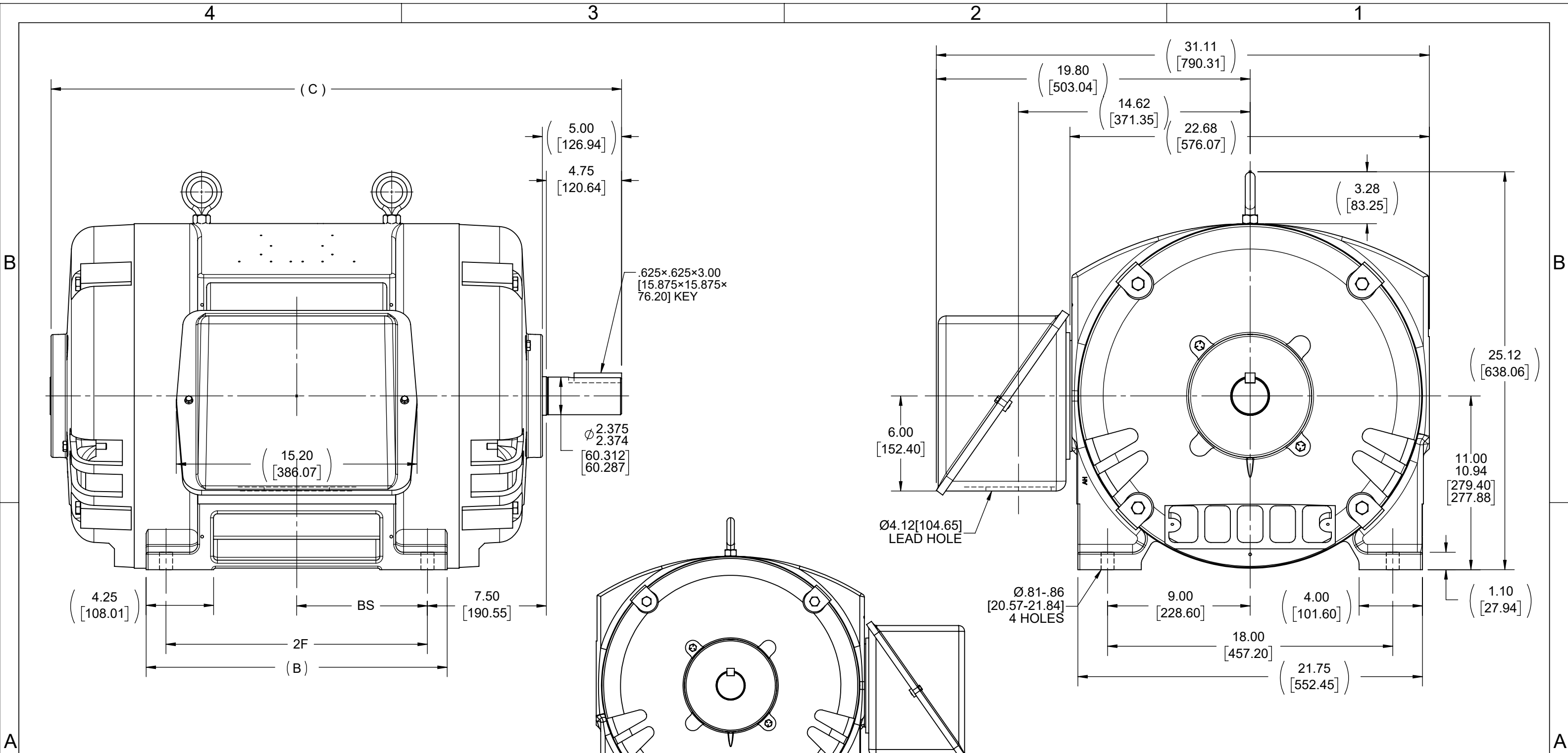
### Nameplate Specifications

Output HP	<b>150 Hp</b>	Output KW	<b>112.0 kW</b>
Frequency	<b>60 Hz</b>	Voltage	<b>460 V</b>
Current	<b>176.0 A</b>	Speed	<b>1785 rpm</b>
Service Factor	<b>1.15</b>	Phase	<b>3</b>
Efficiency	<b>95 %</b>	Power Factor	<b>84</b>
Duty	<b>Continuous</b>	Insulation Class	<b>B</b>
Design Code	<b>B</b>	KVA Code	<b>G</b>
Frame	<b>444TS</b>	Enclosure	<b>Drip Proof</b>
Thermal Protection	<b>No Protection</b>	Ambient Temperature	<b>40 °C</b>
Drive End Bearing Size	<b>6313</b>	Opp Drive End Bearing Size	<b>6313</b>
UL	<b>Recognized</b>	CSA	<b>Y</b>
CE	<b>Y</b>	IP Code	<b>12</b>
Number of Speeds	<b>1</b>		

### Technical Specifications

Electrical Type	<b>Squirrel Cage Induction Run</b>	Starting Method	<b>Part Wdg Start</b>
Poles	<b>4</b>	Rotation	<b>Reversible</b>
Resistance Main	<b>.028 Ohms</b>	Mounting	<b>Rigid Base</b>
Motor Orientation	<b>Horizontal</b>	Drive End Bearing	<b>Ball</b>
Opp Drive End Bearing	<b>Ball</b>	Frame Material	<b>Cast Iron</b>
Shaft Type	<b>TS</b>	Overall Length	<b>34.00 in</b>
Frame Length	<b>18.50 in</b>	Shaft Diameter	<b>2.375 in</b>
Shaft Extension	<b>4.75 in</b>	Assembly/Box Mounting	<b>F1/F2 CAPABLE</b>
Outline Drawing	<b>B-SS509642-1850</b>	Connection Drawing	<b>A-EE7341C</b>

This is an uncontrolled document once printed or downloaded and is subject to change without notice. Date Created:09/07/2022



- NOTES:  
 1. CONDUIT BOX CAN BE ROTATED IN 90° STEPS.  
 2. CONDUIT BOX CAN BE MOUNTED ON OPPOSITE SIDE BY REMOVING BRACKETS AND TURNING FRAME 180°.  
 3. NAMEPLATES TO BE READ FROM CONDUIT BOX SIDE OF MOTOR.

DASH	FRAME	B	C	2F	BS
1850	444TS	17.00 [431.80]	34.00 [863.60]	14.50 [368.30]	7.25 [184.15]
2050	445TS	19.00 [482.60]	36.00 [914.40]	16.50 [419.10]	8.25 [209.55]

DRAWING REVISION D	REVISION BY A. KEETHA	DATE 10-01-2021
ECO NMR-0210542	APPROVED BY A. KEETHA	DATE 10-01-2021
ECO DESCRIPTION F2 VIEW ADDED		
<small>COPYRIGHT REGAL BELOIT AMERICA, INC. ALL RIGHTS RESERVED.          PROPRIETARY AND CONFIDENTIAL INFORMATION - THIS DOCUMENT IS THE PROPERTY OF          REGAL BELOIT AMERICA, INC. ("OWNER") AND CONTAINS OWNER'S PROPRIETARY          INFORMATION. ANY PERSON, CORPORATION OR OTHER FIRM RECEIVING IT IS DEEMED,          BY RECEIVING IT, TO AGREE THAT IT, AND/OR ANY PART OF IT, SHALL NOT BE DISCLOSED          TO ANY PERSON, CORPORATION OR OTHER ENTITY, DUPLICATED, AND/OR USED, EXCEPT          AS EXPRESSLY APPROVED IN WRITING IN ADVANCE BY OWNER. THIS DOCUMENT SHALL          BE RETURNED TO OWNER UPON REQUEST. IT MAY BE SUBJECT TO CERTAIN          RESTRICTIONS UNDER APPLICABLE EXPORT CONTROL LAWS AND REGULATIONS.</small>		

TOLERANCES UNLESS OTHERWISE SPECIFIED:

DEC.	INCH	mm	ANGLE
.X	±0.1	[±2.5]	±7° 30"
.XX	±0.03	[±0.76]	
.XXX	±0.005	[±0.127]	
.XXXX	±0.0005	[±0.0127]	

REMOVE BURRS & BREAK SHARP EDGES: .003/.015 [0.076/.381] X 45°  
 CORNER FILLETS: R.02 [0.51]  
 MACHINED SURFACES: 200 INCH/mm 5.1  
 mm SHOWN IN [BRACKETS]

DRAWN BY TLB
DATE 03-11-1988
APPROVED BY GK
DATE 03-11-1988
REFERENCE
THIRD ANGLE PROJECTION

**REGAL**™ Regal Beloit America, Inc.

DESCRIPTION  
**OUTLINE**  
444/445TS FR. - DR. PR. STD.

MATERIAL PROCESS/FINISH

SIZE **B** DRAWING NUMBER **SS509642** SHEET 1 OF 1

EE7341C

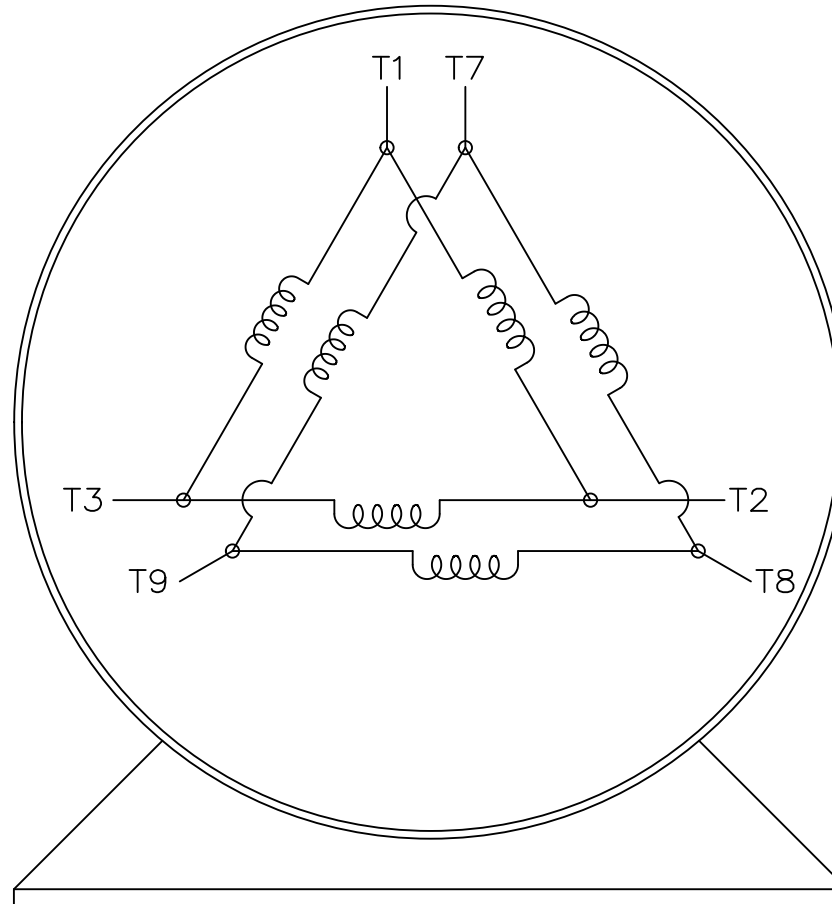
THREE PHASE – PART WINDING START  
DELTA – 6 LEADS

START

CONNECT T1 TO LINE 1  
CONNECT T2 TO LINE 2  
CONNECT T3 TO LINE 3  
T7-T8-T9 OPEN

RUN

CONNECT T1&T7 TO LINE 1  
CONNECT T2&T8 TO LINE 2  
CONNECT T3&T9 TO LINE 3



VIEW OF TERMINAL END

IF MOTOR HAS 2 T'S

START

CONNECT T1,T1 TO LINE 1  
CONNECT T2,T2 TO LINE 2  
CONNECT T3,T3 TO LINE 3  
T7,T7-T8,T8-T9,T9 OPEN

RUN

CONNECT T1,T1&T7,T7 TO LINE 1  
CONNECT T2,T2&T8,T8 TO LINE 2  
CONNECT T3,T3&T9,T9 TO LINE 3

				TOLERANCES UNLESS SPECIFIED		DRAWN BLR 03-09-1998	
				DEC.	INCHES	CHK ML 03-23-1998	
				.X	± -	APPD GK 03-23-1998	
				.XX	± -	SCALE 1=1	
				.XXX	± -	TITLE CONNECTION DIAGRAM	
				EMH .XXXX	± -	3φ - 6 LEADS	
				CHK ANG	± -	REF	
NO.	REVISION	BY & DATE	CHK	ANG	FINISH	PREV	
E	NOTE ADDED FOR 2 T'S	NAR 17-12-2020	RC	.XXX	± -	FMP	
D	RE-DRAWN WITH REGAL LOGO ECO-0110493	WGJ 09-30-2016	EMH	.XXXX	± -	REF	
THIS DRAWING IN DESIGN AND DETAIL IS OUR PROPERTY AND MUST NOT BE USED EXCEPT IN CONNECTION WITH OUR WORK ALL RIGHTS OF DESIGN AND INVENTION ARE RESERVED THIS IS AN ELECTRONICALLY GENERATED DOCUMENT - DO NOT SCALE THIS PRINT			RFP	CAD FILE EE7341C		SIZE	DRAWING NO. PAGE OF REV.
			DIST			A	EE7341C E

