

PRODUCT INFORMATION PACKET

Model No: 444THFCD9036

Catalog No: W606A

XRI®-841 Severe Duty Motor, 125 HP, 3 Ph, 60 Hz, 460 V, 1800 RPM, 444T Frame, TEFC



Regal and Marathon are trademarks of Regal Rexnord Corporation or one of its affiliated companies.

©2024 Regal Rexnord Corporation, All Rights Reserved. MC017097E



Nameplate Specifications

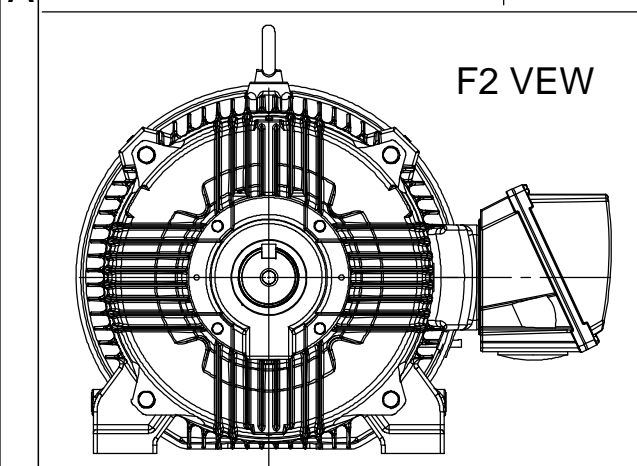
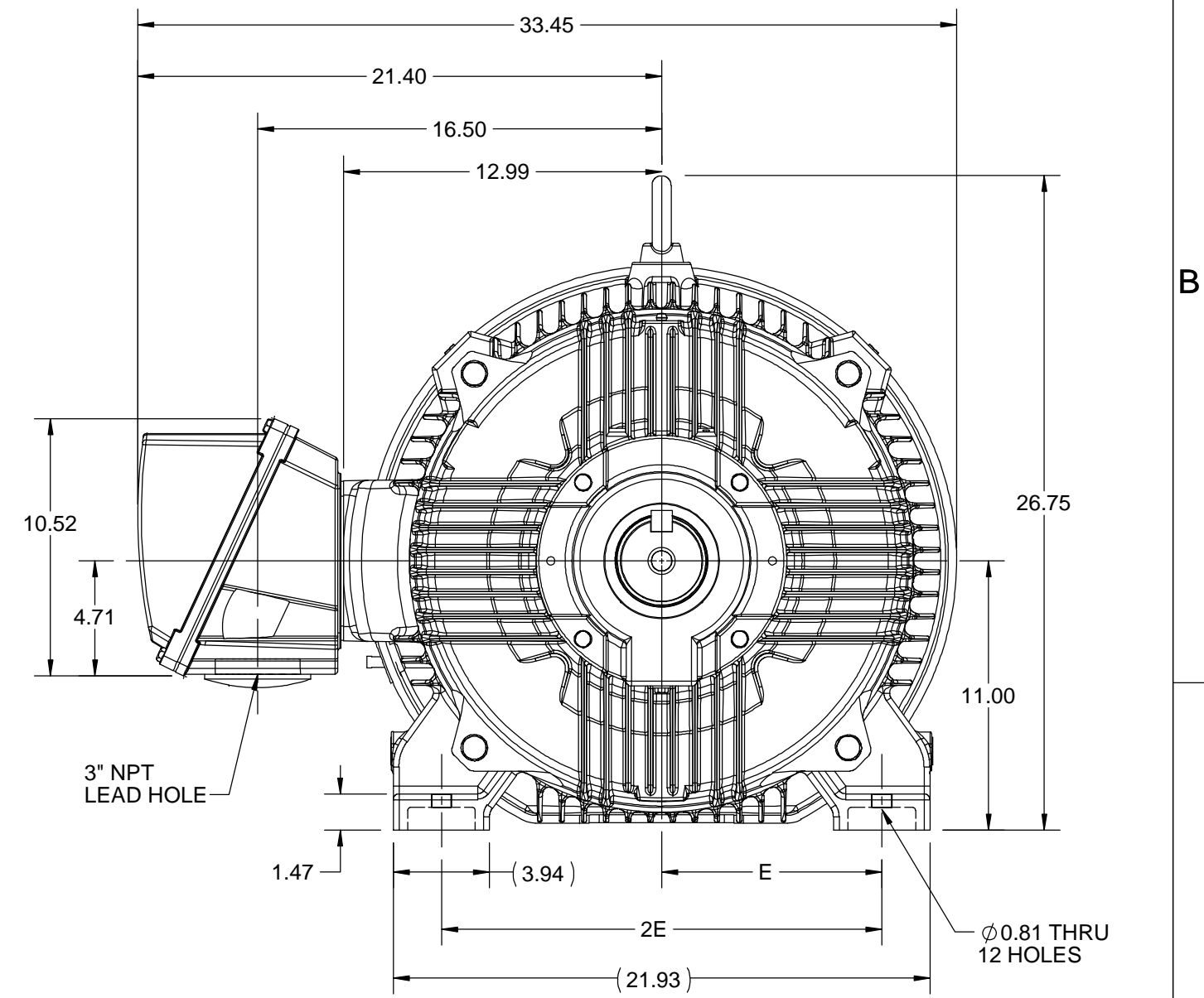
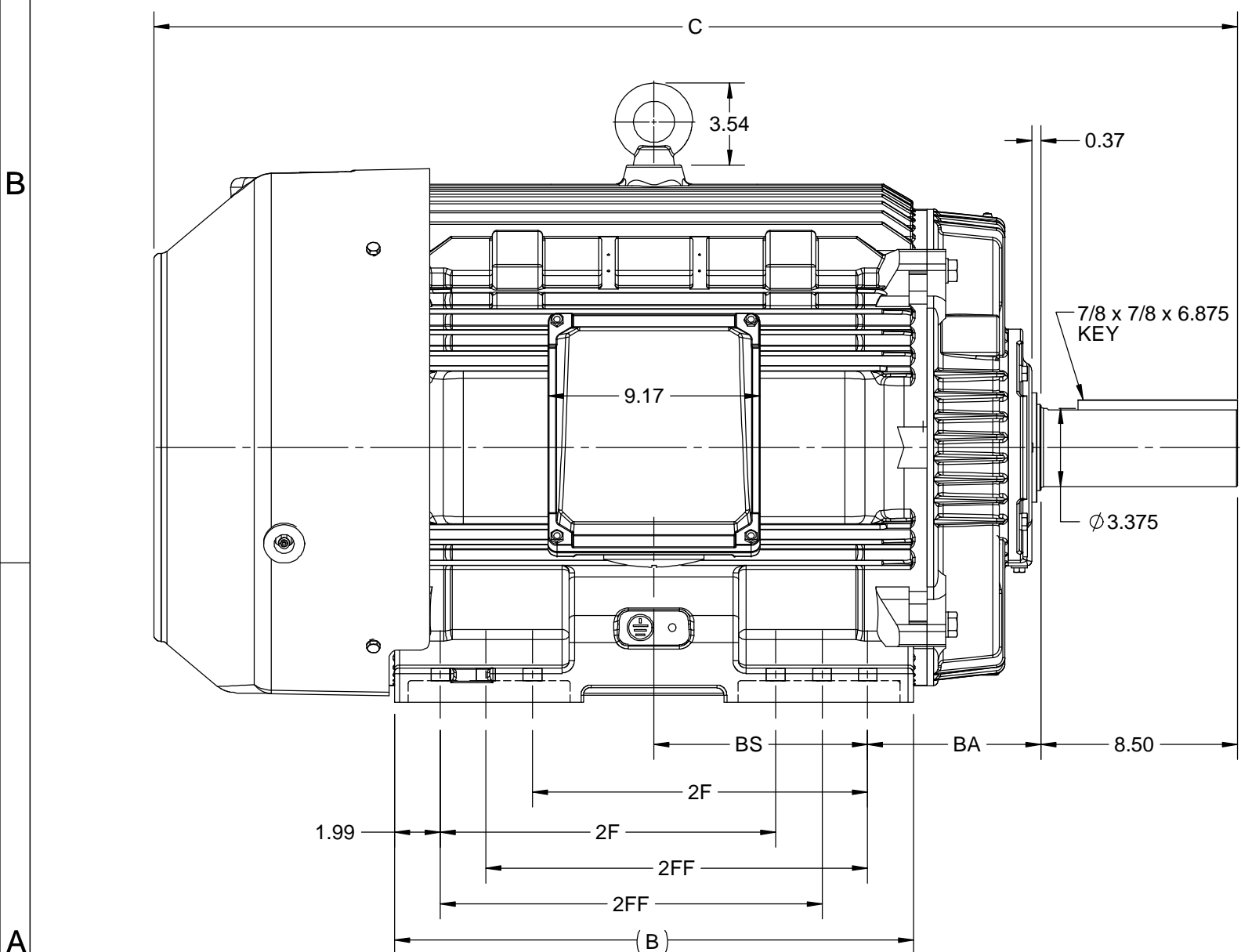
Phase	3	Output HP	125 Hp
Output KW	93.0 kW	Voltage	460 V
Speed	1790 rpm	Service Factor	1.15
Frame	444T	Enclosure	Totally Enclosed Fan Cooled
Thermal Protection	No Protection	Efficiency	95.4 %
Ambient Temperature	40 °C	Frequency	60 Hz
Current	140.0 A	Power Factor	87.5
Duty	Continuous	Insulation Class	H
Design Code	B	KVA Code	G
Drive End Bearing Size	6319	Opp Drive End Bearing Size	6317
UL	Listed	CSA	Y
CE	Y	IP Code	56
Number of Speeds	1	Hazardous Location	DIVISION 2 T2B

Technical Specifications

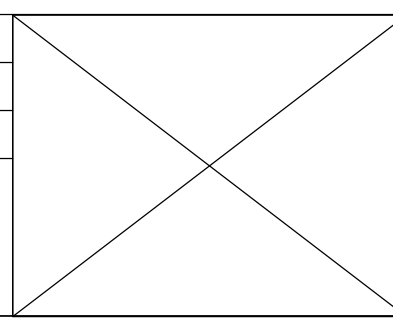
Electrical Type	Squirrel Cage Inverter Rated	Starting Method	Line Or Inverter
Poles	4	Rotation	Reversible
Resistance Main	.0374 Ohms	Mounting	Rigid Base
Motor Orientation	Horizontal	Drive End Bearing	Ball
Opp Drive End Bearing	Ball	Frame Material	Cast Iron
Shaft Type	T	Shaft Diameter	3.375 in
Assembly/Box Mounting	F1/F2 CAPABLE	Inverter Load	CONSTANT 2:1/VARIABLE 10:1
Outline Drawing	SS557668	Connection Drawing	EE7300U



This is an uncontrolled document once printed or downloaded and is subject to change without notice. Date Created:10/18/2024

4				3				
B	C	E	2E	2F	2FF	BA	BS	MOUNTING
22.44	46.83	9.00	18.00	14.50	16.50	7.50	9.24	F1 OR F2



DRAWING REVISION C	REVISION BY BISWA	DATE 15/10/2020
ECO ECO-0195135	APPROVED BY GNK	DATE 15/10/2020
DRAWING UPDATED		
<small>COPYRIGHT REGAL BELOIT AMERICA, INC. ALL RIGHTS RESERVED. PROPRIETARY AND CONFIDENTIAL INFORMATION - THIS DOCUMENT IS THE PROPERTY OF REGAL BELOIT AMERICA, INC. ("OWNER") AND CONTAINS OWNER'S PROPRIETARY INFORMATION. ANY PERSON, CORPORATION OR OTHER FIRM RECEIVING IT IS DEEMED, BY RECEIVING IT, TO AGREE THAT IT, AND/OR ANY PART OF IT, SHALL NOT BE DISCLOSED TO ANY PERSON, CORPORATION OR OTHER ENTITY, DUPLICATED, AND/OR USED, EXCEPT AS EXPRESSLY APPROVED IN WRITING IN ADVANCE BY OWNER. THIS DOCUMENT SHALL BE RETURNED TO OWNER UPON REQUEST. IT MAY BE SUBJECT TO CERTAIN RESTRICTIONS UNDER APPLICABLE EXPORT CONTROL LAWS AND REGULATIONS.</small>		



DRAWN BY BISWA	 Regal Beloit America, Inc.		
DATE 24/12/2018			
APPROVED BY SBD	DESCRIPTION OUTLINE 444/445T FR-NEMA-SD & IEEE841		
DATE 24/12/2018	MATERIAL		
REFERENCE	PROCESS/FINISH		
THIRD ANGLE PROJECTION 	SIZE B	DRAWING NUMBER SS557668	SHEET 1 OF 1

IF MOTOR HAS 9 LEADS



IF MOTOR HAS 6 LEADS



A-9806 DECAL IF CALLED FOR

IF MOTOR HAS 12 LEADS



VIEW OF TERMINAL END

DRAWING REVISION L	REVISION BY AJW	DATE 05-04-2015	TOLERANCES UNLESS OTHERWISE SPECIFIED:	DRAWN BY DRS	Regal Beloit America, Inc.																					
ECO ECO-0077067	APPROVED BY EWH	DATE 05-05-2015	<table style="font-size: small; border-collapse: collapse;"> <tr> <td><u>DEC.</u></td> <td><u>INCH</u></td> <td><u>mm</u></td> <td><u>ANGLE</u></td> </tr> <tr> <td>.X</td> <td>±0.1</td> <td>[±2.5]</td> <td>±7' 30"</td> </tr> <tr> <td>.XX</td> <td>±0.02</td> <td>[±0.51]</td> <td></td> </tr> <tr> <td>.XXX</td> <td>±0.005</td> <td>[±0.127]</td> <td></td> </tr> <tr> <td>.XXXX</td> <td>±0.0005</td> <td>[±0.0127]</td> <td></td> </tr> </table>	<u>DEC.</u>			<u>INCH</u>	<u>mm</u>	<u>ANGLE</u>	.X	±0.1	[±2.5]	±7' 30"	.XX	±0.02	[±0.51]		.XXX	±0.005	[±0.127]		.XXXX	±0.0005	[±0.0127]		DATE 09-27-1996
<u>DEC.</u>	<u>INCH</u>	<u>mm</u>	<u>ANGLE</u>																							
.X	±0.1	[±2.5]	±7' 30"																							
.XX	±0.02	[±0.51]																								
.XXX	±0.005	[±0.127]																								
.XXXX	±0.0005	[±0.0127]																								
ECO DESCRIPTION UPDATED TO SOLIDWORKS			APPROVED BY GK	DATE 09-30-1996	MATERIAL	PROCESS/FINISH																				
COPYRIGHT REGAL BELOIT AMERICA, INC. ALL RIGHTS RESERVED. PROPRIETARY AND CONFIDENTIAL INFORMATION - THIS DOCUMENT IS THE PROPERTY OF REGAL BELOIT AMERICA, INC. ("OWNER") AND CONTAINS OWNER'S PROPRIETARY INFORMATION. ANY PERSON, CORPORATION OR OTHER FIRM RECEIVING IT IS DEEMED, BY RECEIVING IT, TO AGREE THAT IT, AND/OR ANY PART OF IT, SHALL NOT BE DISCLOSED TO ANY PERSON, CORPORATION OR OTHER ENTITY, DUPLICATED, AND/OR USED, EXCEPT AS EXPRESSLY APPROVED IN WRITING IN ADVANCE BY OWNER. THIS DOCUMENT SHALL BE RETURNED TO OWNER UPON REQUEST. IT MAY BE SUBJECT TO CERTAIN RESTRICTIONS UNDER APPLICABLE EXPORT CONTROL LAWS AND REGULATIONS.			REMOVE BURRS & BREAK SHARP EDGES: .003/.015 [.076/.381] X 45° CORNER FILLETS: R.02 [.51] MACHINED SURFACES: 200 $\sqrt{\text{INCH}}$ 5.1 $\sqrt{\text{mm}}$ mm SHOWN IN [BRACKETS]	REFERENCE	SIZE A	DRAWING NUMBER EE7300U	SHEET 1 OF 1																			
				THIRD ANGLE PROJECTION																						



DATA VOLTS: 460

CERTIFICATION DATA SHEET

CONN. DIAGRAM: EE7300U
 OUTLINE: SS557668-444T
 WINDING: HE32804010 NONE 6

MODEL #: 444THFCD9036
 CAT #: W606A

MOUNTING: F1/F2 CAPABLE

TYPICAL MOTOR PERFORMANCE DATA

HP	KW	SYNC RPM	FL RPM	FRAME	ENCLOSURE	TYPE	KVA CODE	DESIGN	
125	93	1800	1790	444T	TEFC	TFC	G	B	
PH	HZ	VOLTS	AMPS	START TYPE	DUTY	INSL	S.F.	AMB (° C)	ELEV.(Ft)
3	60	460	140	LINE OR INVERTER	CONT	H	1.15	40	3300
F.L. EFF	95.4	3/4 LD EFF	95.4	1/2 LD EFF	95.0	GTD EFF	ELECT. TYPE		
F.L. PF	87.5	3/4 LD PF	84.2	1/2 LD PF	77.0	95.0	SQ CAGE INV RATED		
F.L. TORQUE	LR AMPS @ 460 V	L.R. TORQUE		B.D. TORQUE		F.L. RISE (° C)			
367 LB-FT	905	679 LB-FT	185%	991 LB-FT	270%	55			
SOUND PRESSURE @	SOUND	ROTOR WK ²	MAX. LOAD WK ²	SAFE STALL TIME	STARTS/HOUR	APROX. MOTOR			
75 dBA	84 dBA	60.0 LB-FT ²	750 LB-FT ²	25 SEC.	2	1786	LB.		

***** SUPPLEMENTAL INFORMATION *****

DE BRACKET TYPE	ODE BRACKET TYPE	MOUNT TYPE	MOTOR ORIENTATION	SEVERE DUTY	HAZARDOUS LOCATION	DRIP COVER	SCREENS	PAINT
STANDARD	STANDARD	RIGID	HORIZONTAL	PREMIUM SEVERE DUTY	DIVISION 2 T2B	NO	NONE	BLUE (EPOXY)

BEARINGS		GREASE	SHAFT TYPE	SPECIAL DE	SPECIAL ODE	SHAFT MATERIAL	FRAME MATERIAL
DE	ODE	POLYREX EM	T	NONE	NONE	1045 HOT ROLLED (C-204)	CAST IRON
BALL	BALL						
6319	6317						

THERMOSTATS	PROTECTORS	WDG RTD's	BRG RTD's	THERMISTORS	CONTROL	SPACE HEATERS
NONE	NOT	NONE	NONE	NONE	FALSE	NA

R1 (ohms/ph)	R2 (ohms/ph)	X1 (ohms/ph)	X2 (ohms/ph)	Xm (ohms/ph)	VIBRATION (in/sec)
0.023	0.011	0.152	0.279	5.789	0.080

If Inverter equals NONE, contact factory for further information

* N O T E S *	INVERTER TORQUE: VARIABLE 10:1 INV. HP SPEED RANGE: NONE				
	ENCODER: NONE NONE NONE PPR				
	BRAKE: NONE NONE NONE FT-LB: NA VOLTAGE: NONE HZ:				
	PREPARED BY: ANUSHA M DATE: 3/10/2020 FORM: 3531 REV_4 2/27/06 ** Subject to change without notice.				

Data Sheet

444THFCD9036

Date: 3/10/2020
 Customer: _____
 Attention: _____
 Submitted by: ANUSHA M



Submittal

Data @ 460 V

Motor Load Data

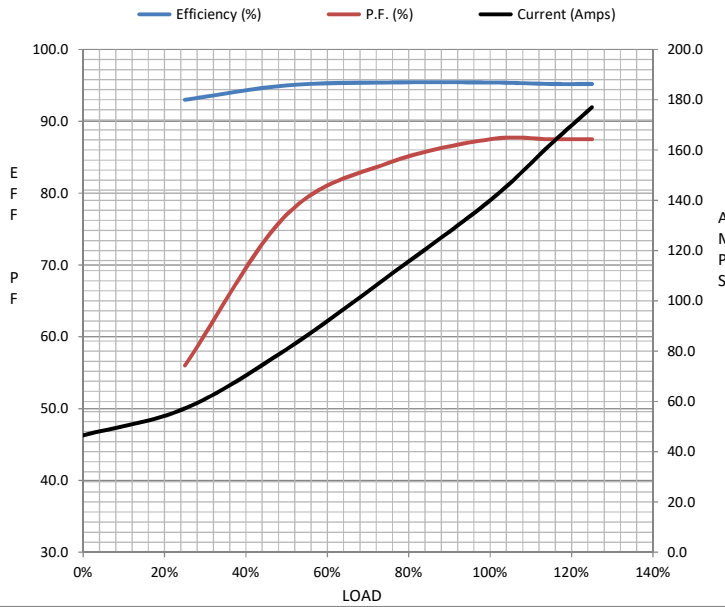
Load	0%	25%	50%	75%	100%	115%	125%	LR
Current (Amps)	46.5	57.2	80.8	110	140	163	177	905
Torque (ft-lb)	0.00	91.5	183	275	367	423	460	679
RPM	1800	1796	1794	1792	1790	1,788	1786	0
Efficiency (%)		93.0	95.0	95.4	95.4	95.2	95.2	
P.F. (%)	5.0	56.0	77.0	84.2	87.5	87.5	87.5	36.0

Motor Speed Data

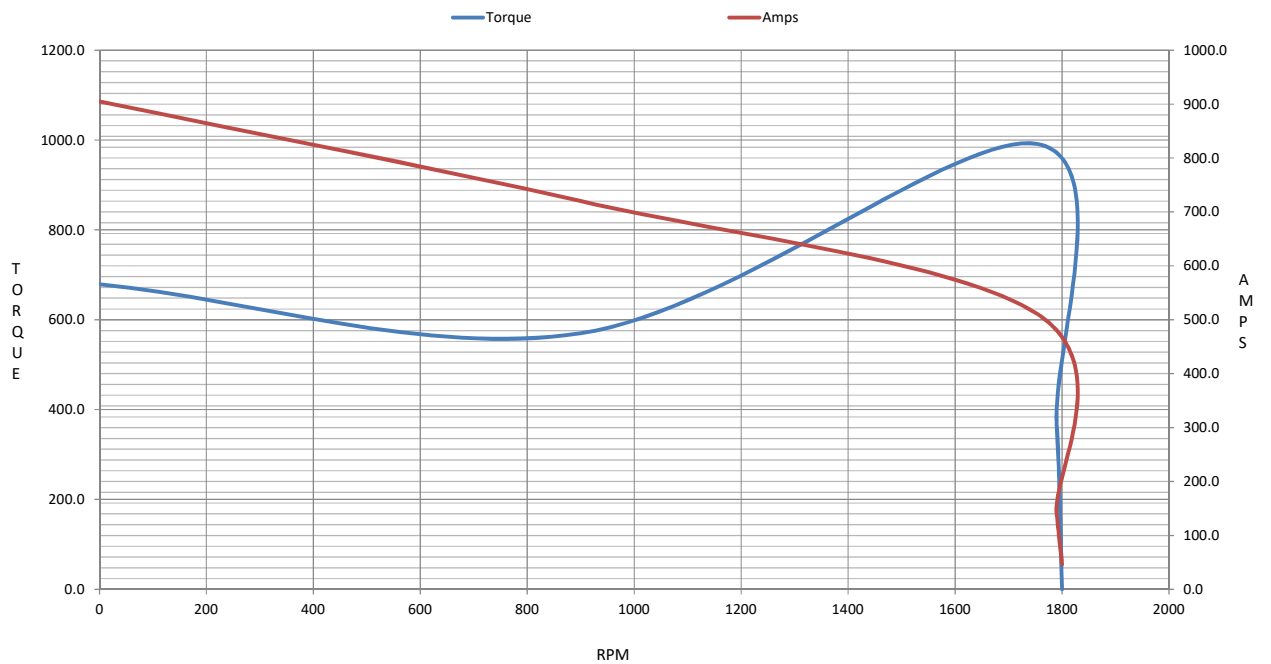
	LR	Pull-Up	BD	Rated	Idle
Speed (RPM)	0	900	1755	1790	1800
Current (Amps)	905	720	510	140	46.5
Torque (ft-lb)	679	570	991	367	0.00

Information Block

HP	125.0			
Sync. RPM	1800			
Frame	444			
Enclosure	TEFC			
Construction	TFC			
Voltage	460 V			
Frequency	60 Hz			
Design	B			
LR Code letter	G			
Service Factor	1.15			
Temp Rise @ FL	55 °C			
Duty	CONT			
Ambient	50 °C			
Elevation	1,000 feet			
Rotor/Shaft wk ²	60.0 Lb-Ft ²			
Ref Wdg	HE32804010 NONE			
Sound Pressure @ 1M	75 dBA			
VFD Rating	VARIABLE 10:1			
Outline Dwg	SS557668-444T			
Conn. Diag	EE7300U			
Additional Specifications:				
0				
0				
EQUIV CKT (OHMS / PHASE)				
R1	R2	X1	X2	Xm
0.0230	0.0110	0.1520	0.2790	5.7890



Speed - Torque Curve



EC Declaration of Conformity

The undersigned representing
the manufacturer:

Regal Beloit America
100 East Randolph St.
Wausau, WI 54401

and the authorized representative
established within the Community:

Marathon Electric UK
6F Thistleton Road Ind. Estate
Market Overton
Oakham, Rutland LE15 7PP UK

are committed to providing customers with products that comply with applicable regulations and international protocols to which they are subject, including the requirements of the European Parliament Directive on the Harmonization of the laws relating to electrical equipment designed for use within certain voltage limits (2014/35/EU).

Regal Beloit America declares that the following product(s), to which this declaration relates, are in conformity with the relevant sections of the EC standards listed below.

This statement supersedes any statements previously issued pertaining to the product(s) listed below and is subject to change without notice.

Model No : 444THFCD9036

(Model No. may contain prefix and/or suffix characters)

Catalog No : W606A

Rework No : N/A

Directives :

Low Voltage Directive 2014/35/EU

Harmonized Standards Used :

EN 60034-1: 2010 (IEC 60034-1: 2010)

EN 60034-5: 2001/A1:2007 (IEC 60034-5: 2000/A1:2006)

Authorized Representative:



Michael A. Logsdon
Vice President, Technology

Authorized Representative in the Community:



Julian Clark
Marketing Engineer

Created on 09/01/2022

CE 22