

# PRODUCT INFORMATION PACKET

**marathon®**  
Motors

Model No: 405TTFC7297

Catalog No: Y391A

Cooling Tower Motor, 75 & 18.75 HP, 3 Ph, 60 & 60 Hz, 460 & 460 V, 1800 & 1800 RPM, 405T Frame,  
TEFC

Regal and Marathon are trademarks of Regal Rexnord Corporation or one of its affiliated companies.

©2023 Regal Rexnord Corporation, All Rights Reserved. MC017097E

**RegalRexnord**

### Nameplate Specifications

Phase	<b>3</b>	Output HP	<b>75 &amp; 18.75 Hp</b>
Output KW	<b>56.0 &amp; 14.0 kW</b>	Voltage	<b>460 &amp; 460 V</b>
Speed	<b>1785 &amp; 890 rpm</b>	Service Factor	<b>1.15 &amp; 1.15</b>
Frame	<b>405T</b>	Enclosure	<b>Totally Enclosed Fan Cooled</b>
Thermal Protection	<b>No Protection</b>	Efficiency	<b>94.1 &amp; 92 %</b>
Ambient Temperature	<b>40 °C</b>	Frequency	<b>60 &amp; 60 Hz</b>
Current	<b>83 &amp; 26.2 A</b>	Power Factor	<b>89.8</b>
Duty	<b>Continuous</b>	Insulation Class	<b>H</b>
Design Code	<b>1VT</b>	KVA Code	<b>H</b>
Drive End Bearing Size	<b>6316</b>	Opp Drive End Bearing Size	<b>6314</b>
UL	<b>Recognized</b>	CSA	<b>Y</b>
CE	<b>Y</b>	IP Code	<b>55</b>
Number of Speeds	<b>2</b>		

### Technical Specifications

Electrical Type	<b>Squirrel Cage Induction Run</b>	Starting Method	<b>Across The Line</b>
Poles	<b>4/8</b>	Rotation	<b>Selective Clockwise</b>
Resistance Main	<b>.1104 Ohms</b>	Mounting	<b>Rigid Base</b>
Motor Orientation	<b>Horizontal</b>	Drive End Bearing	<b>Ball</b>
Opp Drive End Bearing	<b>Ball</b>	Frame Material	<b>Cast Iron</b>
Shaft Type	<b>T</b>	Assembly/Box Mounting	<b>F1/F2 CAPABLE</b>
Outline Drawing	<b>SS557665</b>	Connection Drawing	<b>EE7322</b>

This is an uncontrolled document once printed or downloaded and is subject to change without notice. Date Created:06/22/2023

	4			3				
B	C	E	2E	2F	2FF	BA	BS	MOUNTING
16.85	38.88	8.00	16.00	12.25	13.75	6.62	6.87	F1 OR F2



DRAWING REVISION C	REVISION BY VS	REV DATE/© DATE 25-11-2020
ECO ECO-0195088	APPROVED BY GNK	DATE 25-11-2020
ECO DESCRIPTION <b>DRAWING UPDATED</b> COPYRIGHT (PER REVISION DATE) REGAL BELOIT AMERICA, INC. ALL RIGHTS RESERVED. PROPRIETARY AND CONFIDENTIAL INFORMATION - THIS DOCUMENT IS THE PROPERTY OF REGAL BELOIT AMERICA, INC. ("OWNER") AND CONTAINS OWNER'S PROPRIETARY INFORMATION. ANY PERSON, CORPORATION OR OTHER FIRM RECEIVING IT IS DEEMED, BY RECEIVING IT, TO AGREE THAT IT, AND/OR ANY PART OF IT, SHALL NOT BE DISCLOSED TO ANY PERSON, CORPORATION OR OTHER ENTITY, DUPLICATED, AND/OR USED, EXCEPT AS EXPRESSLY APPROVED IN WRITING IN ADVANCE BY OWNER. THIS DOCUMENT SHALL BE RETURNED TO OWNER UPON REQUEST. IT MAY BE SUBJECT TO CERTAIN RESTRICTIONS UNDER APPLICABLE EXPORT CONTROL LAWS AND REGULATIONS.		

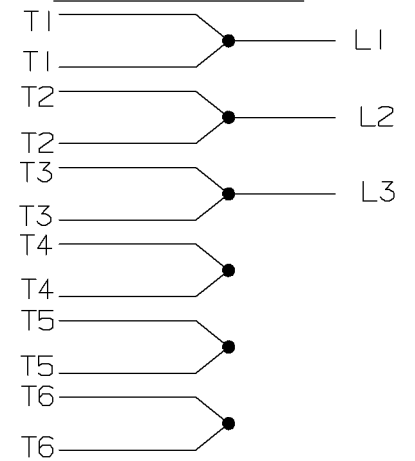
PRIMARY DIMENSIONS ARE INCH  
mm DIMENSIONS IN [BRACKETS]  
ARE FOR REFERENCE ONLY

DRAWN BY BISWA	Regal Beloit America, Inc.
DATE 12/24/2018	
APPROVED BY SBD	DESCRIPTION <b>OUTLINE</b> 404/405T FR-SD & IEEE841
DATE 12/24/2018	MATERIAL
REFERENCE	PROCESS/FINISH
THIRD ANGLE PROJECTION	SIZE B
	DRAWING NUMBER SS557665
	SHEET 1 OF 1

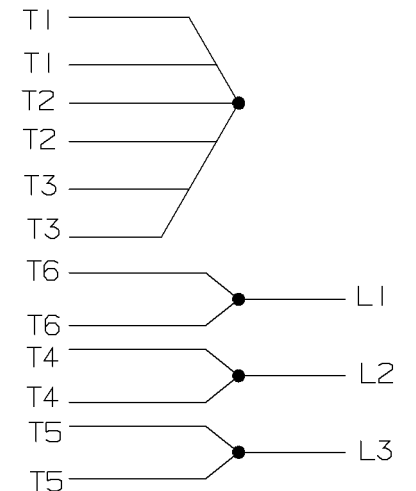
A- EE7322

FOR DUAL LEADS

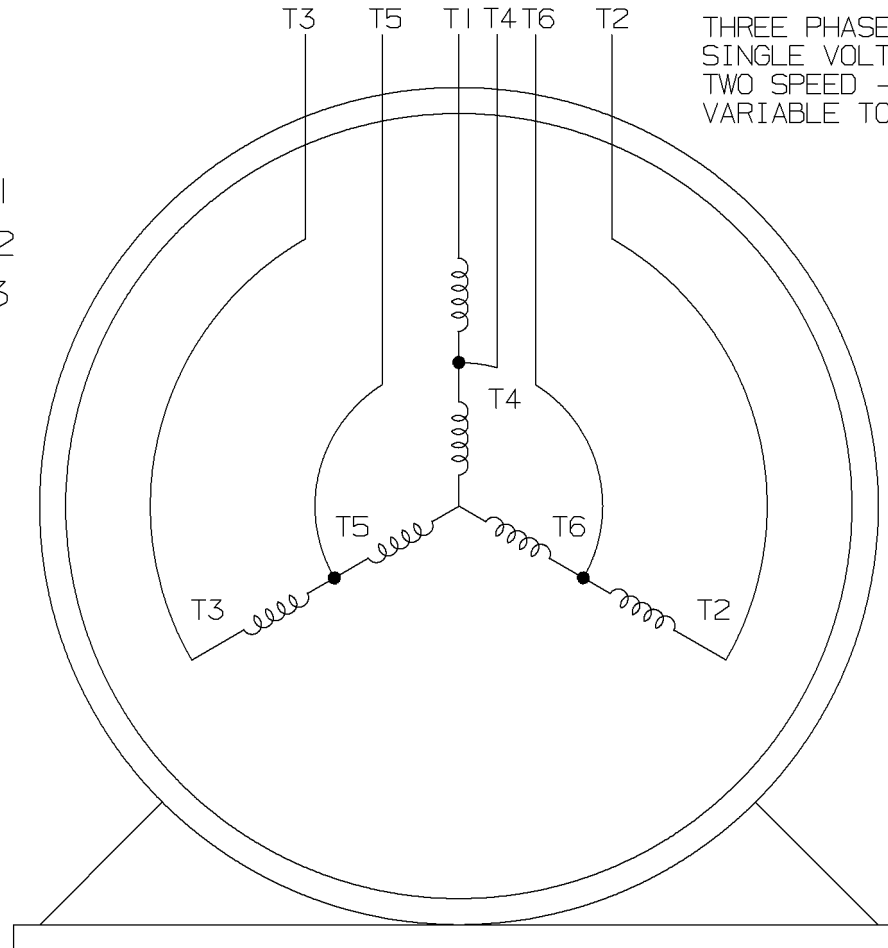
LOW SPEED



HIGH SPEED

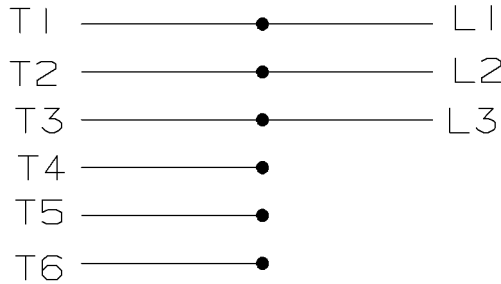


THREE PHASE MOTOR  
SINGLE VOLTAGE  
TWO SPEED - SGL. WDG.  
VARIABLE TORQUE

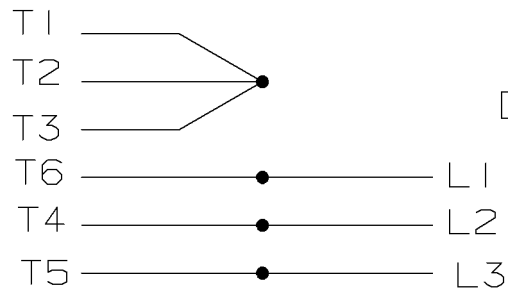


VIEW OF TERMINAL END

LOW SPEED



HIGH SPEED



T612C

T48B

				✓ MAX. SURFACE ROUGHNESS UNLESS NOTED OTHERWISE	UNLESS OTHERWISE SPECIFIED DIMENSIONS ARE IN INCHES TOL. ON XX±    XXX±.005    XXXX±.0005    ANGLES±		
				MATL SPEC		DRAWN BY PGK	12-26-1996
				FINISH			CHKD BY ML 01-07-1997
7	01-08-1997	REDRAWN ON CADD	PGK	REFERENCE DRW.	WAUSAU, WISCONSIN 54401		APPD BY TB 01-07-1997
REV	DATE	CHANGE	NAME	PART NAME	DRWG NO		
				3Ø - SINGLE VOLTAGE - 2 SPEED	A- EE7322		

SHOP BOOK

PURCHASED

DISTRIBUTION - WA - LB - WP - LM - BR

CADD FILE NO.

EE7322